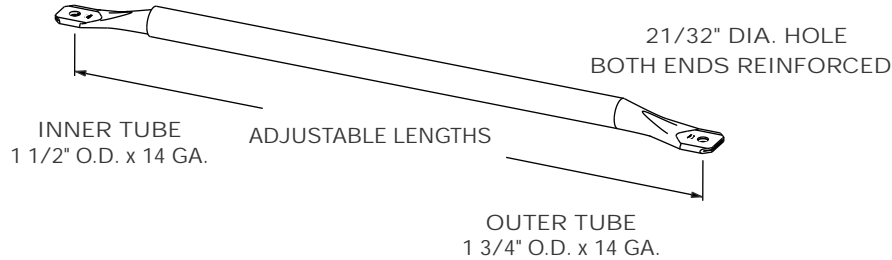


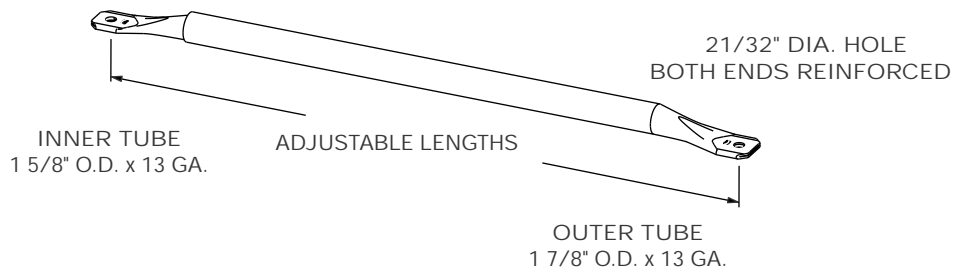
### STANDARD DUTY ADJUSTABLE BRACES



MATERIAL: STEEL TUBE  
FINISH: PRIMER

MODEL 1006-1308	ADJUSTABLE FROM 22" TO 31"	3.7 LBS	SUB FOR: PENZ 04-10-22-30
MODEL 1006-1309	ADJUSTABLE FROM 26" TO 41"	5.95 LBS	SUB FOR: PENZ 04-10-26-41
MODEL 1006-1310	ADJUSTABLE FROM 42" TO 57"	7.0 LBS	SUB FOR: PENZ 04-10-42-57
MODEL 1006-1311	ADJUSTABLE FROM 56" TO 72"	9.1 LBS	SUB FOR: PENZ 04-10-56-72
MODEL 1006-1312	ADJUSTABLE FROM 72" TO 88"	11.0 LBS	SUB FOR: PENZ 04-10-72-88

### MEDIUM DUTY ADJUSTABLE BRACES

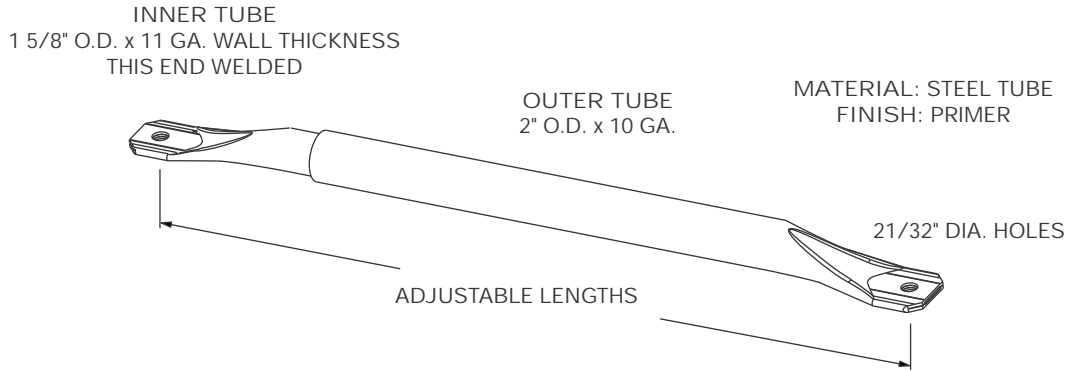


MATERIAL: STEEL TUBE  
FINISH: PRIMER

MODEL 1006-1613	ADJUSTABLE FROM 26" TO 41"	6.5 LBS	SUB FOR: PENZ 04-15-26-41
MODEL 1006-1614	ADJUSTABLE FROM 42" TO 57"	7.8 LBS	SUB FOR: PENZ 04-15-42-57
MODEL 1006-1615	ADJUSTABLE FROM 56" TO 72"	9.8 LBS	SUB FOR: PENZ 04-15-56-72

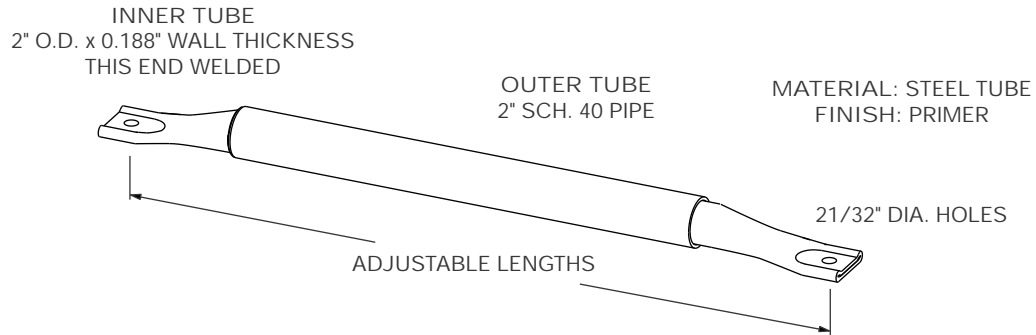
# ADJUSTABLE BRACES HEAVY DUTY

## HEAVY DUTY ADJUSTABLE BRACES



MODEL 1006-1766	ADJUSTABLE FROM 26" TO 41"	8.0 LBS	SUB FOR: PENZ 04-40-26-41
MODEL 1006-1767	ADJUSTABLE FROM 42" TO 57"	10.8 LBS	SUB FOR: PENZ 04-40-42-57
MODEL 1006-1768	ADJUSTABLE FROM 56" TO 72"	14.6 LBS	SUB FOR: PENZ 04-40-56-72

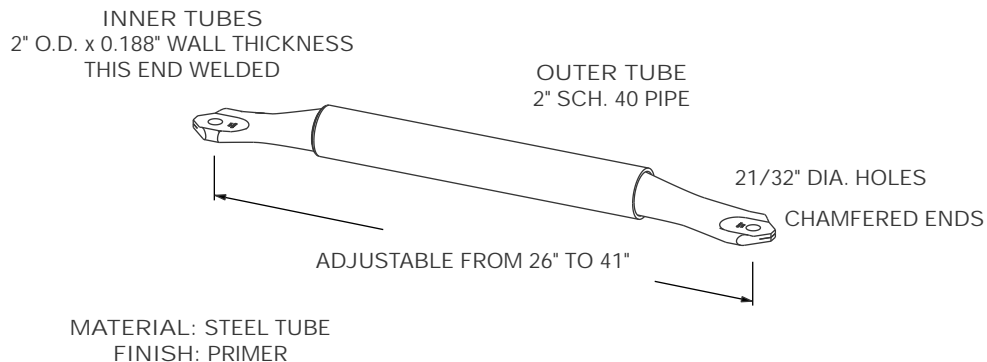
### EXTRA HEAVY DUTY ADJUSTABLE BRACES



MODEL 1006-1527	ADJUSTABLE FROM 20" TO 24"	9.1 LBS	SUB FOR: PENZ 04-80-20-24
MODEL 1006-1528	ADJUSTABLE FROM 25" TO 34"	11.9 LBS	SUB FOR: PENZ 04-80-25-34
MODEL 1006-1529	ADJUSTABLE FROM 26" TO 41"	13.55 LBS	SUB FOR: PENZ 04-80-26-41
MODEL 1006-1530	ADJUSTABLE FROM 35" TO 54"	17.95 LBS	SUB FOR: PENZ 04-80-35-54
MODEL 1006-1531	ADJUSTABLE FROM 56" TO 72"	26.0 LBS	SUB FOR: PENZ 04-80-56-72

### EXTRA HEAVY DUTY ADJUSTABLE BRACE WITH CHAMFERED ENDS

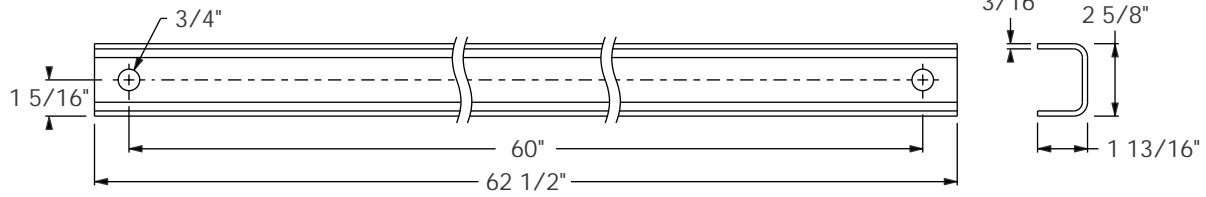
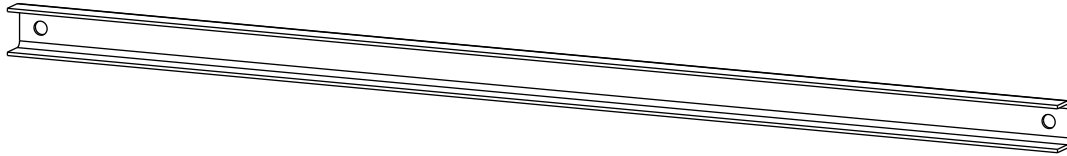
NOTE: THE DIFFERENCE BETWEEN THE MODEL 1006-2470 AND THE 1006-1529 IS THE CHAMFERED ENDS



MODEL 1006-2470	ADJUSTABLE FROM 26" TO 41"	14.1 LBS	SUB FOR: PENZ 04-80-26-41
-----------------	----------------------------	----------	---------------------------

# CROSS BRACES LANDING LEG

MODEL 1006-7602



SUB FOR: WABASH 13S00544  
MATERIAL: FAB STEEL  
FINISH: BLACK WELDABLE PRIMER  
WEIGHT: 20.0 LBS

MEDIUM DUTY FIXED BRACES  
WITH CHAMFERED ENDS

MATERIAL: STEEL TUBE  
FINISH: PRIMER

1 7/8" O.D. x 13 GA. TUBE

MODEL 1006-1966	FIXED LENGTH 21"	3.41 LBS
MODEL 1006-1967	FIXED LENGTH 24"	3.8 LBS
MODEL 1006-1968	FIXED LENGTH 27"	4.2 LBS
MODEL 1006-1969	FIXED LENGTH 32 7/8"	4.7 LBS
MODEL 1006-1970	FIXED LENGTH 42 1/4"	5.9 LBS
MODEL 1006-1960	FIXED LENGTH 42 1/2"	6.0 LBS
MODEL 1006-1971	FIXED LENGTH 48 1/4"	6.5 LBS
MODEL 1006-1961	FIXED LENGTH 48 1/2"	6.6 LBS
MODEL 1006-1972	FIXED LENGTH 55 3/16"	7.5 LBS
MODEL 1006-1996	FIXED LENGTH 60 1/4"	7.8 LBS

HEAVY DUTY FIXED BRACE  
WITH CHAMFERED ENDS

MATERIAL: STEEL TUBE  
FINISH: PRIMER

2" O.D. x 0.200" WALL THICKNESS

MODEL 1006-1973	FIXED LENGTH 24"	6.7 LBS
-----------------	------------------	---------

HEAVY DUTY FIXED BRACE

MATERIAL: STEEL TUBE  
FINISH: PRIMER

2" O.D. x 0.200" WALL THICKNESS

MODEL 1006-6496	FIXED LENGTH 40"	6.7 LBS	SUB FOR: PENZ 04-20-40
-----------------	------------------	---------	------------------------

**FIXED BRACES  
ANGLE TYPE**

**MODEL 1006-6532**

Ø5/8" x 2 HOLES

2" 3/16" 1 1/2" 31 1/2" 33 1/4" 1"

SUB FOR: TRAILMOBILE 6004-8-100A MATERIAL: 3/16" FAB STEEL  
FINISH: HOT DIPPED GALVANIZED (HDG) WEIGHT: 5.5 LBS

**MODEL 1006-6533**

Ø5/8" x 2 HOLES

2" 3/16" 1 1/2" 25 5/16" 27 1/16" 1"

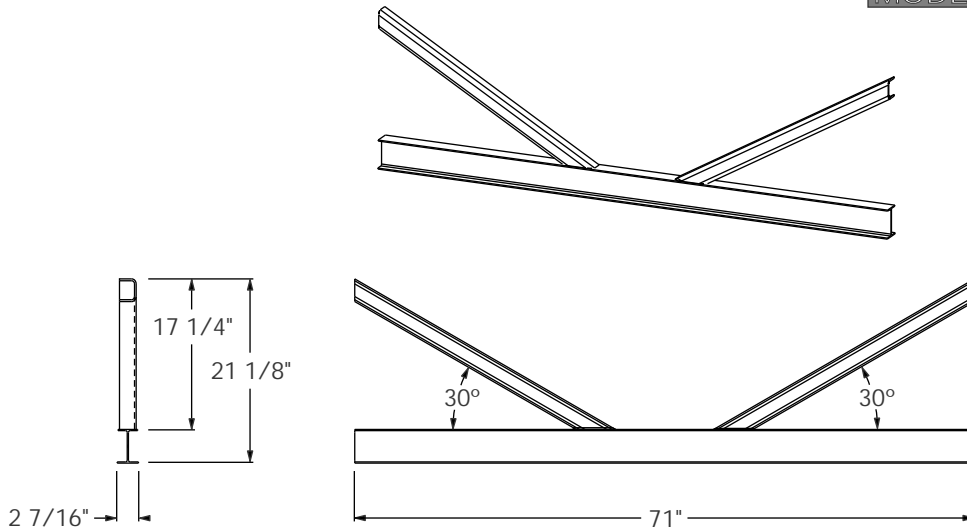
SUB FOR: TRAILMOBILE 6004-8-100L MATERIAL: 3/16" FAB STEEL  
FINISH: HOT DIPPED GALVANIZED (HDG) WEIGHT: 4.5 LBS

**MODEL 1006-7601**

1 13/16" 3/16" 1 13/16" 7/8" 11/16" x 2 HOLES 22 1/2" 24 1/2"

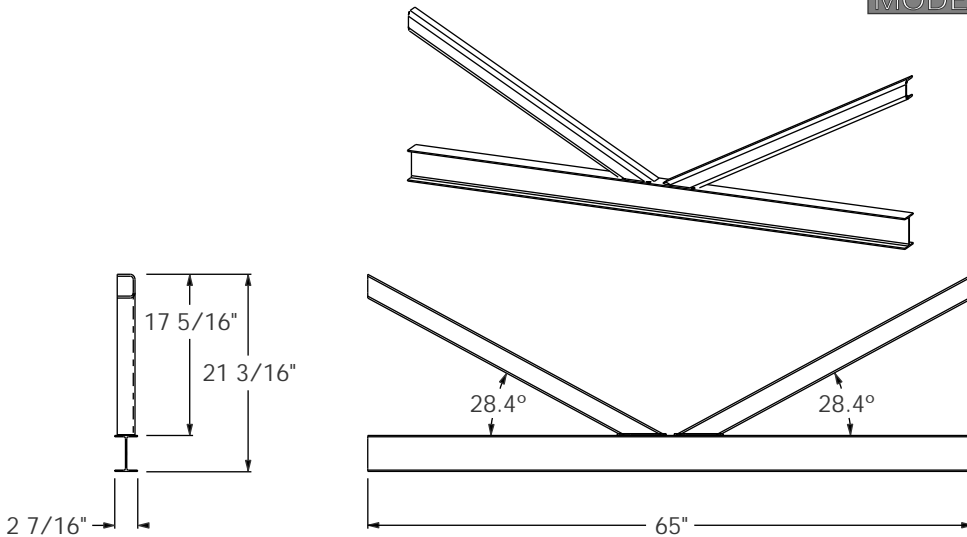
SUB FOR: WABASH 13S00542 MATERIAL: STEEL  
FINISH: SELF-COLOR WEIGHT: 4.5 LBS

MODEL 1006-7599



SUB FOR: WABASH 13000042  
MATERIAL: FAB STEEL FINISH: PRIMER  
WEIGHT: 33.2 LBS

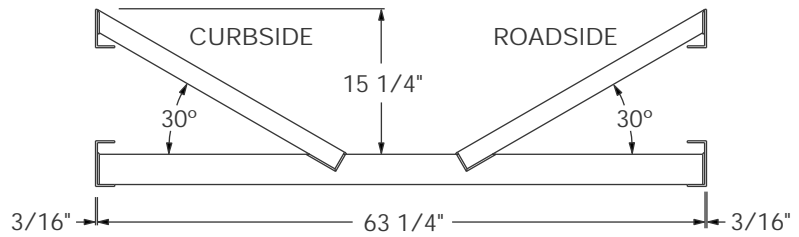
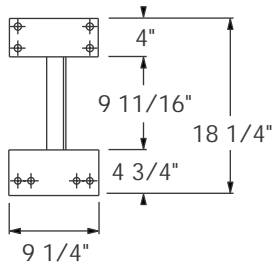
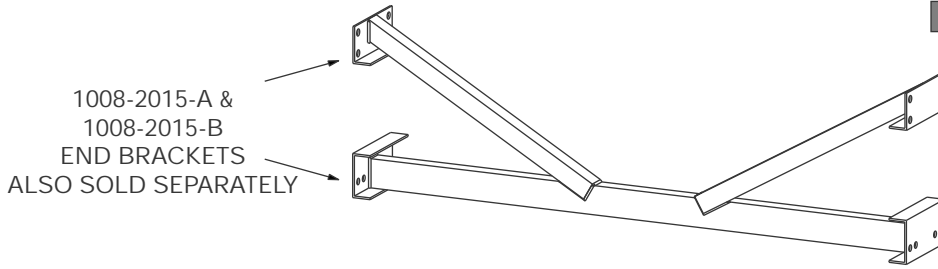
MODEL 1006-7600



SUB FOR: WABASH 13000065  
MATERIAL: FAB STEEL FINISH: PRIMER  
WEIGHT: 36.0 LBS

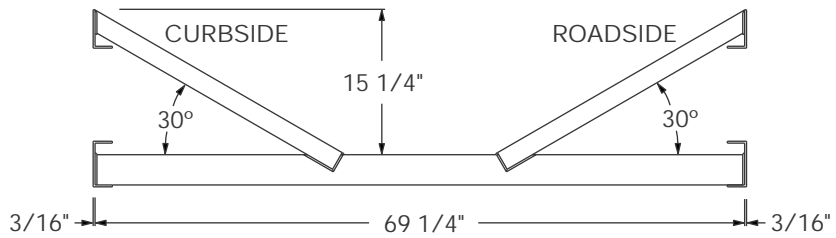
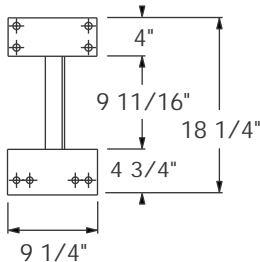
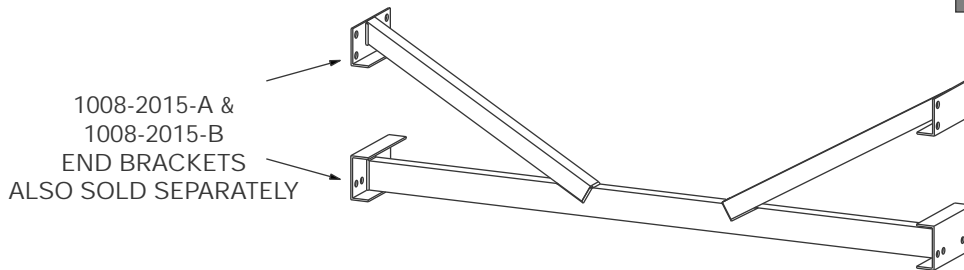
# K-BRACES WITH END BRACKETS

MODEL 1006-2015



SUB FOR: PENZ 02-501-096  
 MATERIAL: FAB STEEL FINISH: PRIMER  
 WEIGHT: 53.9 LBS

MODEL 1006-2016



SUB FOR: PENZ 02-501-102  
 MATERIAL: FAB STEEL FINISH: PRIMER  
 WEIGHT: 56.9 LBS



