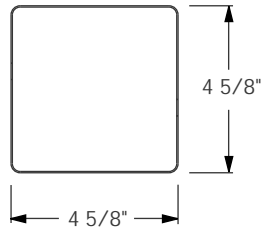
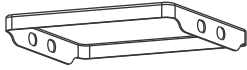


MODEL 1009-2398

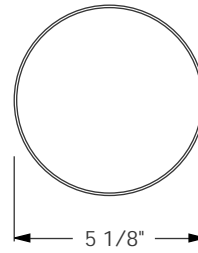
LANDING LEG COVER
SQUARE



SUB FOR: HOLLAND XA-06218
MATERIAL: FAB STEEL
FINISH: PRIMER
WEIGHT: 0.30 LBS

MODEL 1009-2399

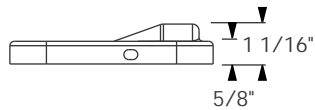
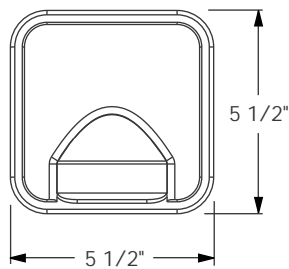
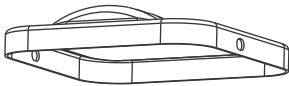
LANDING LEG COVER
ROUND



SUB FOR: KYSOR 751568
MATERIAL: FAB STEEL
FINISH: PRIMER
WEIGHT: 0.30 LBS

MODEL 1009-6466

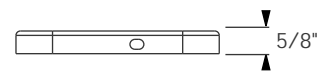
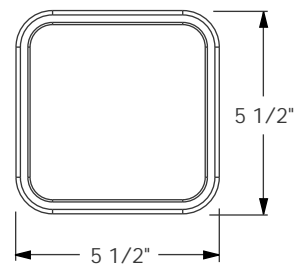
LANDING LEG COVER
SQUARE



SUB FOR: JOST C10217
MATERIAL: FAB STEEL
FINISH: PRIMER
WEIGHT: 0.50 LBS

MODEL 1009-6467

LANDING LEG COVER
SQUARE



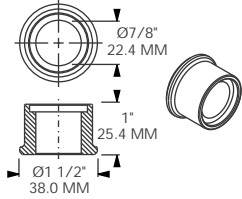
SUB FOR: JOST C10259
MATERIAL: FAB STEEL
FINISH: PRIMER
WEIGHT: 0.50 LBS

GEARBOX COVERS

FITS: HOLLAND 150 LEG

MODEL 1004-6522

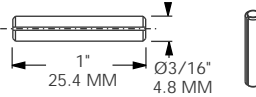
SHAFT AXLE BEARING



SUB FOR: XB-0308-PM
WEIGHT: 0.16 LBS / 0.07 Kg

MODEL 1110-6523

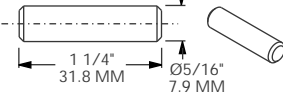
SPLIT ROLL PIN



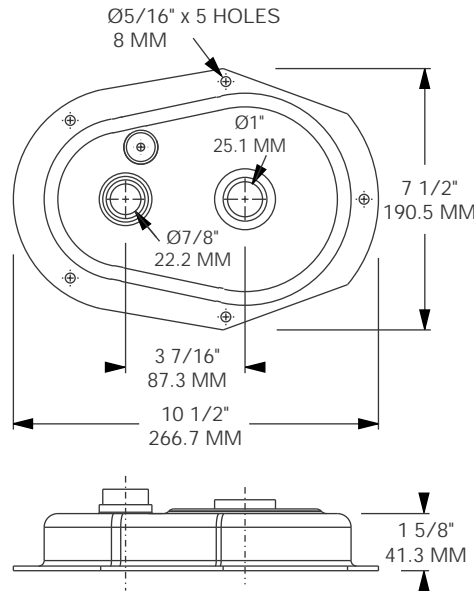
SUB FOR: XB-21-5-187-1000
WEIGHT: 0.006 LBS / 0.003 Kg

MODEL 1004-6524

STOP PIN

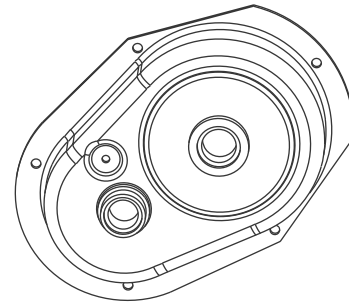


SUB FOR: XA-01792
WEIGHT: 0.03 LBS / 0.01 Kg



MODEL 1009-2758

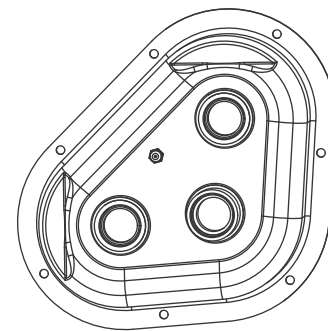
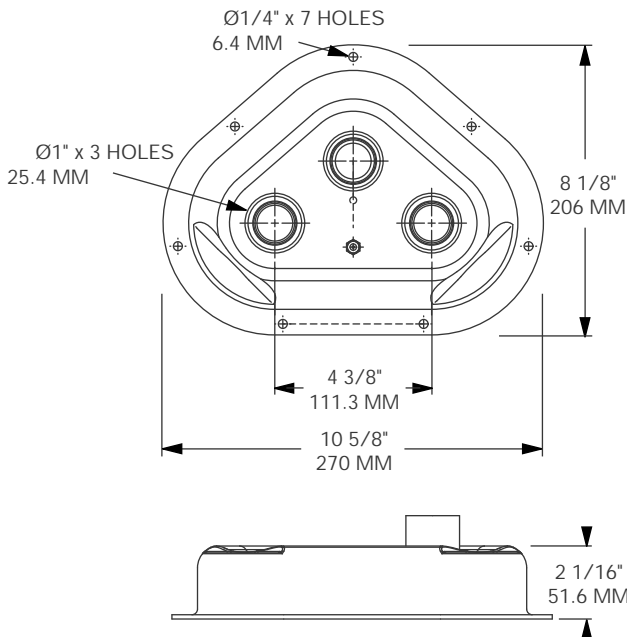
GEARBOX COVER



SUB FOR: HOLLAND XA-06224-A
FITS: HOLLAND 150 LEG
MATERIAL: FAB STEEL
FINISH: PRIMER
WEIGHT: 3.2 LBS / 1.45 Kg

MODEL 1009-6527

GEARBOX COVER



SUB FOR: HOLLAND XB-LG 0663
FITS: HOLLAND 51000 LEG
MATERIAL: FAB STEEL
FINISH: PRIMER
WEIGHT: 3.4 LBS / 1.52 Kg

