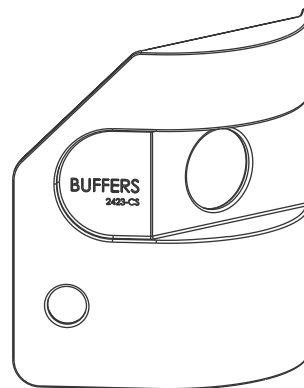


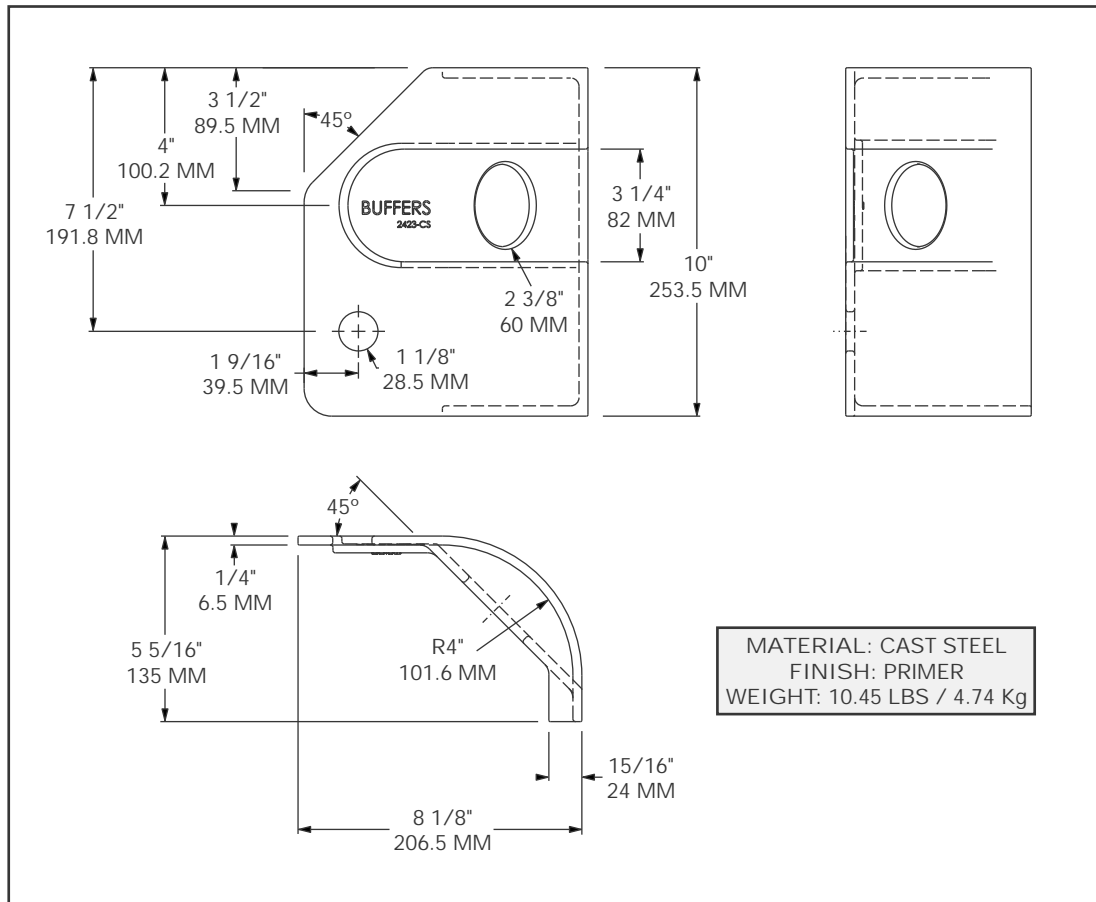
**MODEL 1104-2423-RS**

ROADSIDE  
MIRROR OPPOSITE OF  
MODEL 1104-2423-CS



**MODEL 1104-2423-CS**

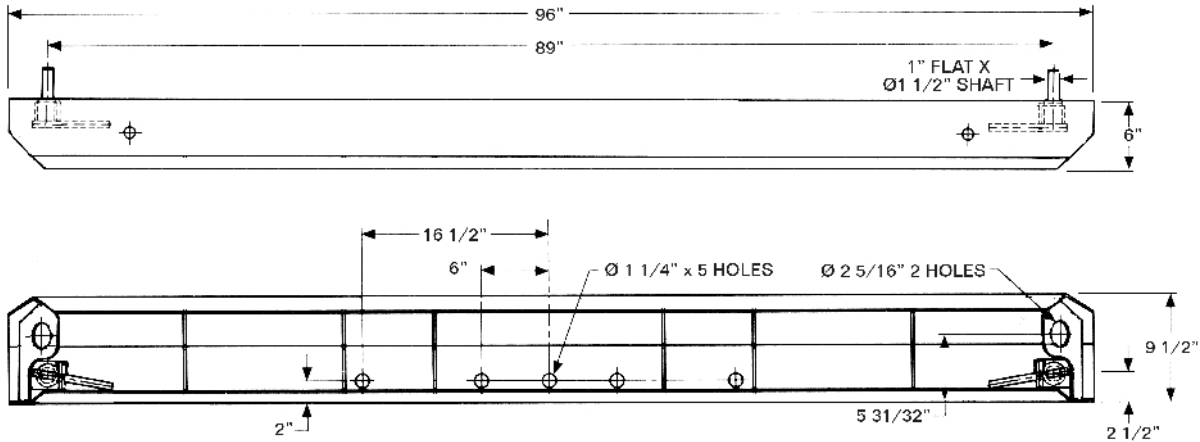
CURBSIDE  
SHOWN



MATERIAL: CAST STEEL  
FINISH: PRIMER  
WEIGHT: 10.45 LBS / 4.74 Kg

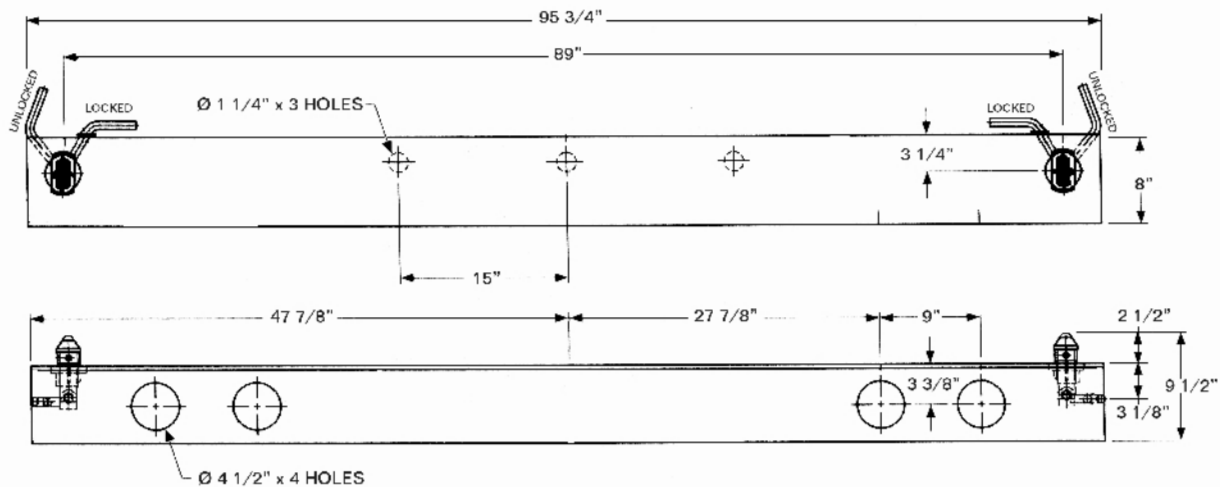


**MODEL 1104-6919**  
FRONT BOLSTER ASSEMBLY



INCLUDES TWO BUFFERS 1103-1617  
PINLOCKS INSTALLED  
SUB FOR: PENZ 45-10

**MODEL 1104-6920**  
REAR BOLSTER ASSEMBLY



INCLUDES TWO BUFFERS 1102-1257  
70° HANDLE ROTATION DROP-IN TWISTLOCKS  
INSTALLED  
SUB FOR: PENZ 45-05