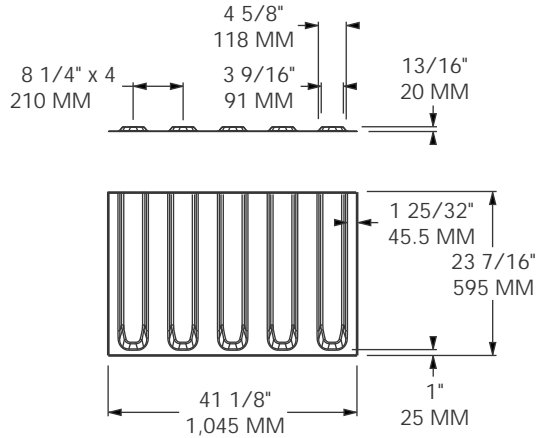


MODEL 1203-2186

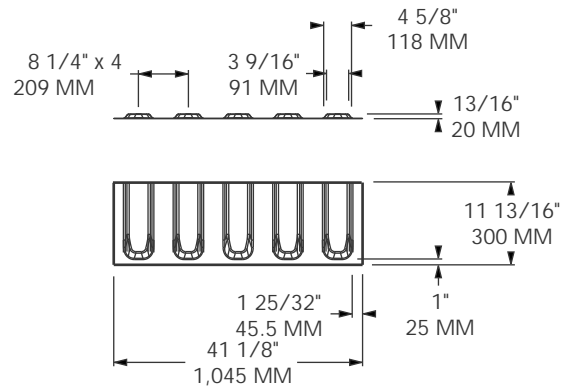
PATCH



SUB FOR: CRP-5P FITS: CRP-5 ROOF PANEL
 HEIGHT: 13/16" / 20 MM THICKNESS: 1/16" / 2 MM
 MATERIAL: CORTEN STEEL FINISH: PRIMER
 WEIGHT: 22.0 LBS / 10.0 Kg

MODEL 1203-2187

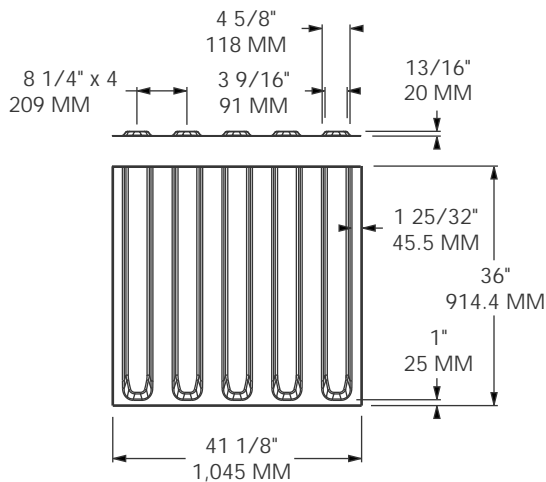
PATCH



SUB FOR: CRP-5PS FITS: CRP-5 ROOF PANEL
 HEIGHT: 13/16" / 20 MM THICKNESS: 1/16" / 2 MM
 MATERIAL: CORTEN STEEL FINISH: PRIMER
 WEIGHT: 11.0 LBS / 5.0 Kg

MODEL 1203-2649

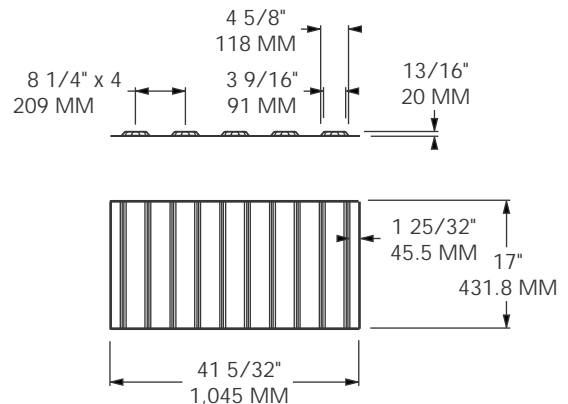
PATCH



SUB FOR: CRP-5PL FITS: CRP-5 ROOF PANEL
 HEIGHT: 13/16" / 20 MM THICKNESS: 1/16" / 2 MM
 MATERIAL: CORTEN STEEL FINISH: PRIMER
 WEIGHT: 35.0 LBS / 15.9 Kg

MODEL 1203-2678

PATCH, CENTER



SUB FOR: CRP-5CP FITS: CRP-5 ROOF PANEL
 HEIGHT: 13/16" / 20 MM THICKNESS: 1/16" / 2 MM
 MATERIAL: CORTEN STEEL FINISH: PRIMER
 WEIGHT: 16.0 LBS / 7.3 Kg