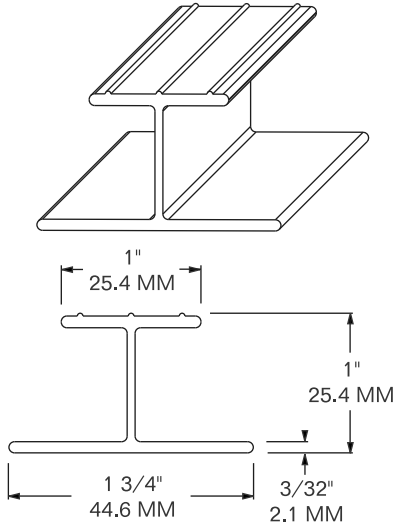
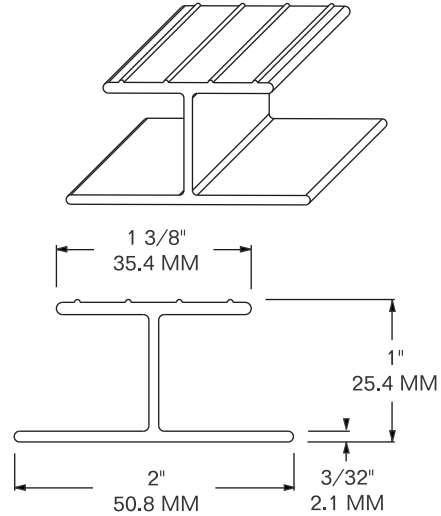


MODEL 1304-2291



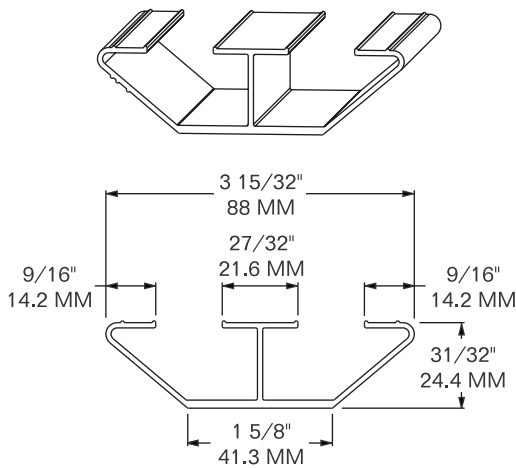
SUB FOR: DORSEY CX-1100
LENGTH: 92 1/2" / 2,343 MM
MATERIAL: ALUMINUM
FINISH: SELF-COLOR
WEIGHT: 2.4 LBS / 1.1 Kg

MODEL 1304-2292



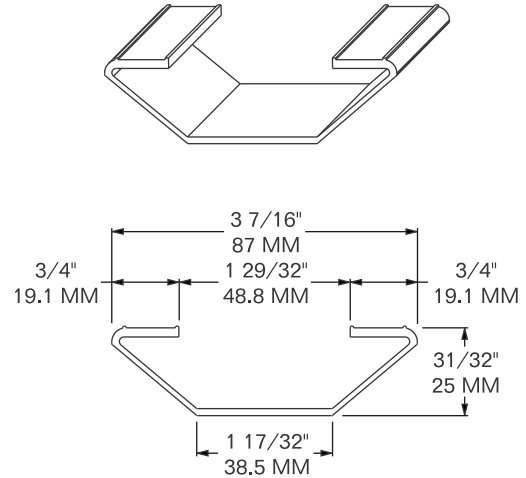
SUB FOR: FRUEHAUF, GD 60428602
LENGTH: 98 1/2" / 2,502 MM
MATERIAL: ALUMINUM
FINISH: SELF-COLOR
WEIGHT: 3.25 LBS / 1.47 Kg

MODEL 1304-2726



SUB FOR: HYUNDAI 10003468, GD 43000040,
 PINES AE 52312-9913
LENGTH: 99 1/8" / 2,518 MM
MATERIAL: ALUMINUM
FINISH: SELF-COLOR
WEIGHT: 4.5 LBS / 2.04 Kg

MODEL 1304-7653

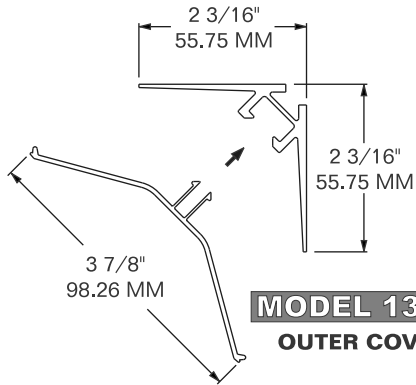


FITS: CIMC
LENGTH: 92 5/16" / 2,345 MM
MATERIAL: ALUMINUM
FINISH: SELF-COLOR
WEIGHT: 3.64 LBS / 1.65 Kg

1300

MODEL 1304-2491

INNER COVE MOULD



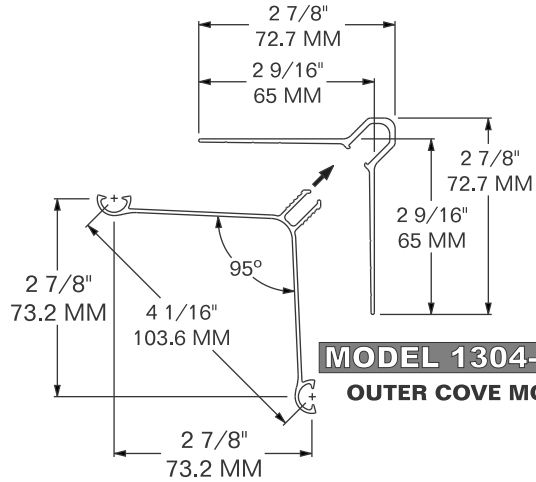
MODEL 1304-2510

OUTER COVE MOULD

1304-2491 SUB FOR: CARLISLE 1477-00
1304-2510 SUB FOR: CARLISLE 1378-00
LENGTH: 39' / 11,877 MM
MATERIAL: ALUMINUM **FINISH:** SELF-COLOR
1304-2491 WEIGHT: 21.0 LBS / 9.52 Kg
1304-2510 WEIGHT: 14.76 LBS / 6.7 Kg

MODEL 1304-2782

INNER COVE MOULD



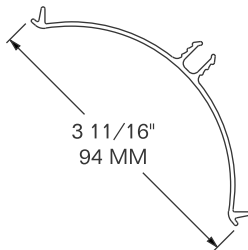
MODEL 1304-2783

OUTER COVE MOULD

1304-2782 SUB FOR: MAERSK MCIQ 7262758
1304-2783 SUB FOR: MAERSK MCIQ 7262671
MATERIAL: ALUMINUM **FINISH:** SELF-COLOR
LENGTH: 38' 5\" / 11,712 MM
1304-2782 WEIGHT: 17.6 LBS / 8.0 Kg
1304-2783 WEIGHT: 18.2 LBS / 8.3 Kg

MODEL 1304-7583

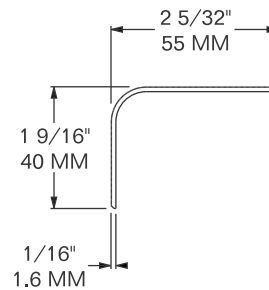
OUTER COVE MOULD



SUB FOR: SINGAMAS PF-005-09 **FITS:** CIMC
LENGTH: 19' / 5,791 MM
MATERIAL: ALUMINUM **FINISH:** SELF-COLOR
WEIGHT: 6.84 LBS / 3.1 Kg

MODEL 1304-7856

OUTER COVE MOULD

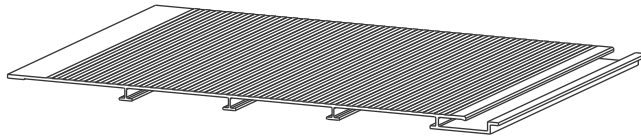


FITS: CIMC **LENGTH:** 19' 2 13/32\" / 5,852 MM
MATERIAL: ALUMINUM **FINISH:** SELF-COLOR
WEIGHT: 4.9 LBS / 2.2 Kg

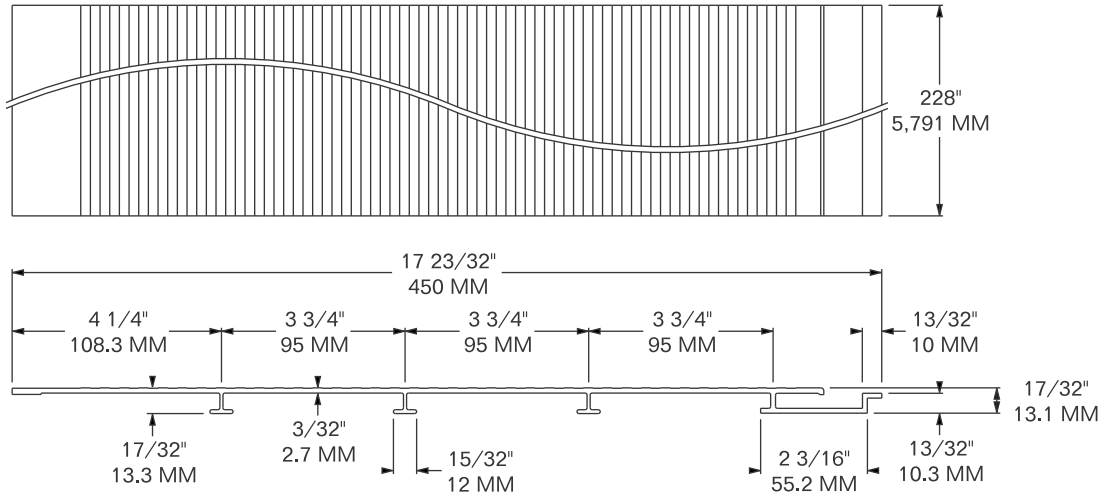


ALUMINUM SCUFF PLATE FOR REEFER CONTAINER

MODEL 1304-7707



1300



FITS: CIMC **MATERIAL:** ALUMINUM
FINISH: SELF-COLOR **WEIGHT:** 56.0 LBS / 25.4 Kg

BUFFERS USA INC 
"The Intermodal Hardware Specialists"



904-696-0010

FAX 904-696-0019

E-mail: sales@buffersusa.com

1304-3