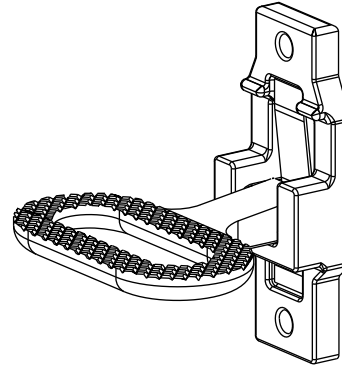


**MODEL 1312-2459**  
 SPRING LOADED POSITIONS



**MATERIAL: CAST ALUMINUM**  
**FINISH: SELF-COLOR**  
**WEIGHT: 1.25 LBS / 0.57 Kg**

