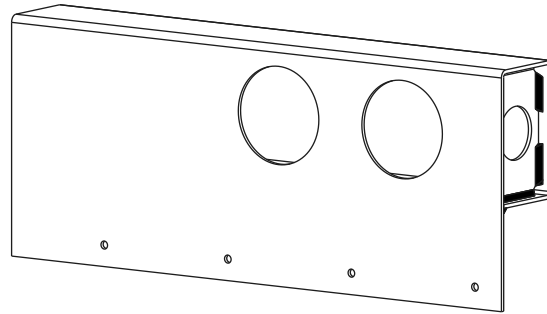


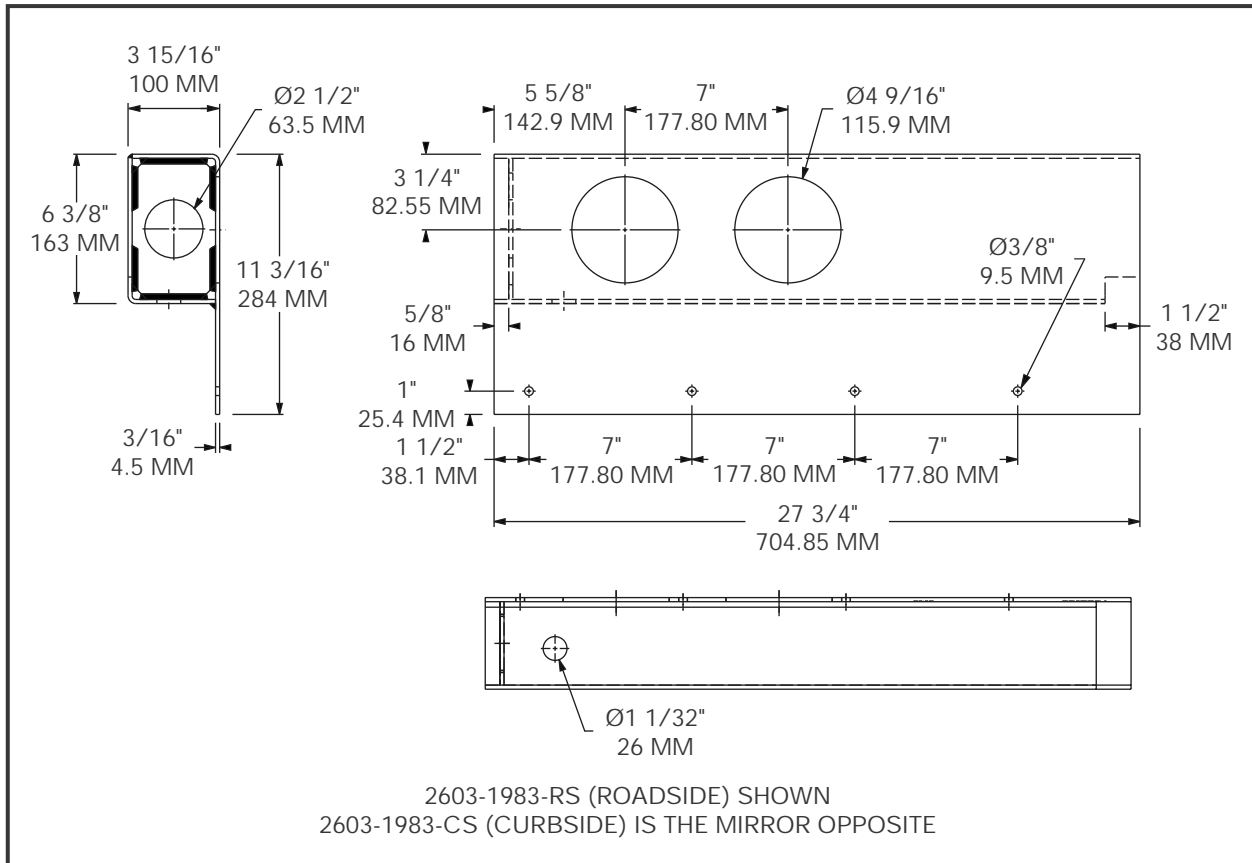
**MODEL 2603-1983-RS**

ROADSIDE



**MODEL 2603-1983-CS**

CURBSIDE



2600

SUB FOR: PENZ 70-42-LH/RH, STRICK  
 MATERIAL: FAB STEEL  
 FINISH: BLACK PRIMER  
 2603-1983-CS WEIGHT: 35.70 LBS / 16.19 Kg  
 2603-1983-RS WEIGHT: 32.70 LBS / 14.83 Kg



**MODEL 2603-2379**  
WIRE HARNESS CLAMP

$\text{Ø } 1/4"$   
6.4 MM  
 $3/4"$   
18.7 MM  
 $1/4"$   
6.4 MM  
 $1 7/16"$   
34.7 MM  
 $1 3/8"$   
34.7 MM  
 $7/8"$   
22.4 MM  
 $2 1/16"$   
52.4 MM  
 $3/4"$   
18.9 MM  
 $2 13/16"$   
71.2 MM  
 $1/16"$   
1.5 MM

MATERIAL: STAINLESS STEEL  
FINISH: VINYL COATED  
WEIGHT: 0.05 LBS / 0.02 Kg

2600

**MODEL 2603-7362-CS/RS**  
BRACKET TRAILER LIGHT

$1 1/2"$   
38.1 MM  
 $7"$   
177.8 MM  
 $7"$   
177.8 MM  
 $7"$   
177.8 MM  
 $1 1/2"$   
38.1 MM  
 $3/4"$   
19.1 MM  
 $4"$   
101.6 MM  
 $24"$   
609.6 MM  
 $10 7/8"$   
276.2 MM  
 $9 1/8"$   
231.8 MM  
 $\text{Ø } 7/16" \times 4 \text{ HOLES}$   
11.1 MM  
 $\text{Ø } 4 1/2" \times 2 \text{ HOLES}$   
114.2 MM

7362-CS  
7362-RS

SUB FOR: PENZ 70-15-XX MATERIAL: STEEL  
FINISH: PRIMER WEIGHT: 13.83 LBS / 6.27 Kg

**MODEL 2603-7363**  
BRACKET TRAILER LIGHT

$\text{Ø } 1 5/16"$   
33.3 MM  
 $4 3/16"$   
106.4 MM  
 $1 1/2"$   
38.1 MM  
 $5 3/4"$   
146.1 MM  
 $2 7/16"$   
61.9 MM  
 $3 15/16"$   
100 MM  
 $5 11/16"$   
144.5 MM  
 $2 3/16"$   
56.4 MM  
 $1/8"$   
3 MM

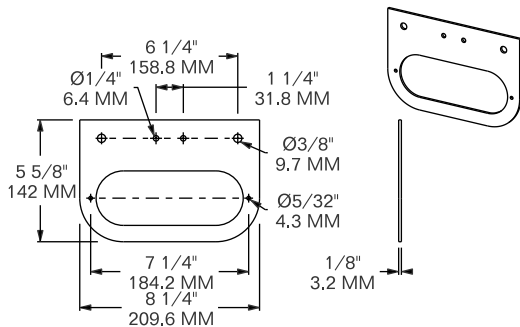
SUB FOR: PENZ 70-16 MATERIAL: STEEL  
FINISH: PRIMER WEIGHT: 0.68 LBS / 0.31 Kg

**MODEL 2603-7365**  
BRACKET TRAILER LIGHT

$\text{Ø } 1/8" (3.8 \text{ MM}) \times 3 \text{ HOLES}$   
IN  $\text{Ø } 2 9/16"$  BOLT CIRCLE  
 $2 1/8"$   
54 MM  
 $\text{Ø } 2 5/16"$   
58.7 MM  
 $3 1/8"$   
79.4 MM  
 $1 9/16"$   
39.7 MM  
 $1 3/16"$   
30.2 MM  
 $4 1/4"$   
108 MM  
 $1/8"$   
2.7 MM

SUB FOR: PENZ 70-19 MATERIAL: FAB STEEL  
FINISH: PRIMER WEIGHT: 0.35 LBS / 0.16 Kg

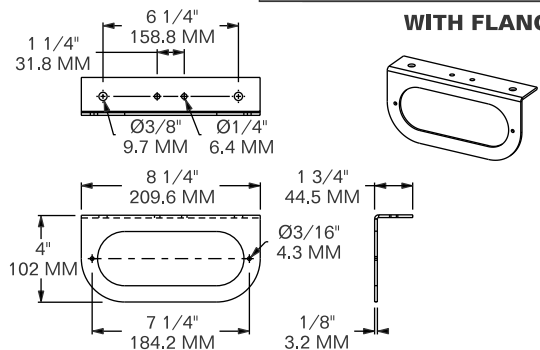
**MODEL 2603-7608**



**SUB FOR:** TRUCK-LITE 60722 **MATERIAL:** STEEL  
**FINISH:** BLACK EPOXY PAINT  
**WEIGHT:** 0.92 LBS / 0.42 Kg

**MODEL 2603-7609**

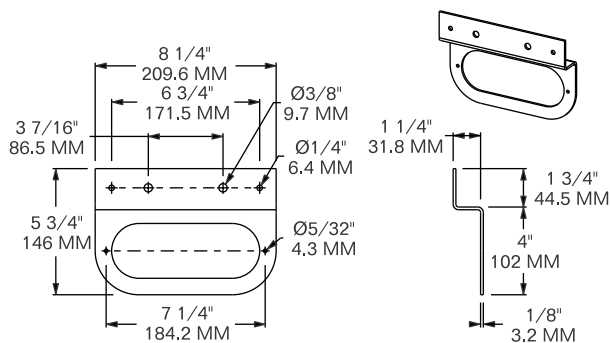
**WITH FLANGE**



**SUB FOR:** TRUCK-LITE 60723 **MATERIAL:** ALUMINUM  
**FINISH:** SELF-COLOR **WEIGHT:** 0.31 LBS / 0.14 Kg

**MODEL 2603-7610**

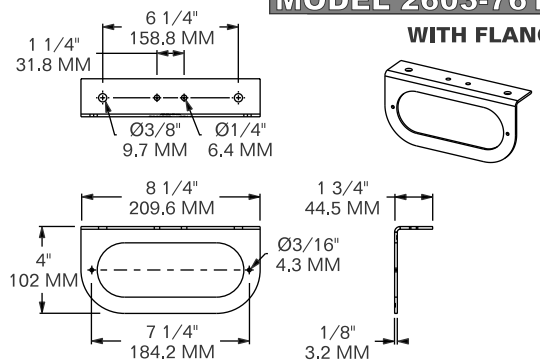
**WITH L-FLANGE**



**SUB FOR:** TRUCK-LITE 60728 **MATERIAL:** STEEL  
**FINISH:** GRAY EPOXY PAINT **WEIGHT:** 1.32 LBS / 0.60 Kg

**MODEL 2603-7611**

**WITH FLANGE**

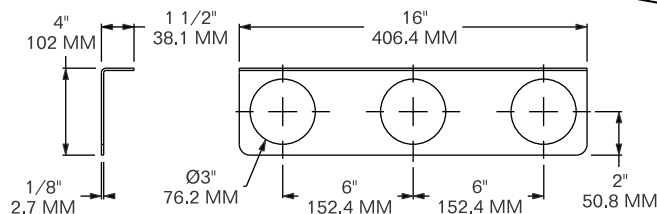


**SUB FOR:** TRUCK-LITE 60720-3 **MATERIAL:** STEEL  
**FINISH:** BLACK EPOXY PAINT  
**WEIGHT:** 0.92 LBS / 0.42 Kg

**2600**

**MODEL 2603-7612**

**MOUNTING BRACKET FOR LAMPS**



**SUB FOR:** TRUCK-LITE 00814 **MATERIAL:** STEEL  
**FINISH:** BLACK POWDER COAT **WEIGHT:** 1.83 LBS / 0.83 Kg

