

FLAT HOOK

27' WITH FLAT HOOK **MODEL 2904-2805**

SUB FOR: ANCRA 43795-10-27P,
KINEDYNE 422721, MULTIPRENS 2042-27

30' WITH FLAT HOOK **MODEL 2904-2806**

SUB FOR: ANCRA 43795-10-30P,
KINEDYNE 423021, MULTIPRENS 2042-30

40' WITH FLAT HOOK **MODEL 2904-6004**

46' WITH FLAT HOOK **MODEL 2904-6005**

73' WITH FLAT HOOK **MODEL 2904-6007**



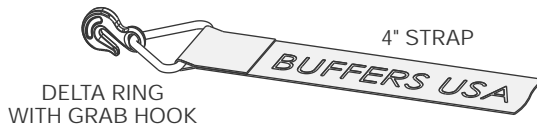
DELTA RING

27' WITH DELTA RING **MODEL 2904-2807**

SUB FOR: ANCRA 43795-11-27P,
KINEDYNE 422710, MULTIPRENS 2041-27

30' WITH DELTA RING **MODEL 2904-2808**

SUB FOR: ANCRA 43795-11-30P,
KINEDYNE 423010, MULTIPRENS 2041-30



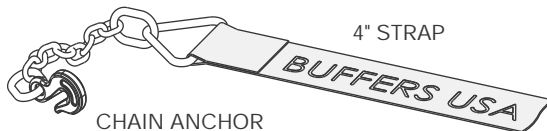
DELTA RING
WITH GRAB HOOK

27' WITH GRAB HOOK **MODEL 2904-2809**

SUB FOR: ANCRA 43795-14-27P,
KINEDYNE 422750, MULTIPRENS 2044-27

30' WITH GRAB HOOK **MODEL 2904-2810**

SUB FOR: ANCRA 43795-14-30P,
KINEDYNE 423050, MULTIPRENS 2044-30



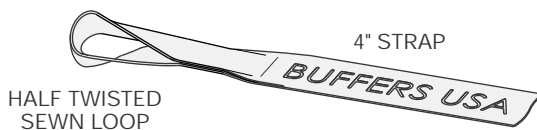
CHAIN ANCHOR

27' WITH CHAIN ANCHOR **MODEL 2904-2811**

SUB FOR: ANCRA 43795-15-27P,
KINEDYNE 422740, MULTIPRENS 2043-27

30' WITH CHAIN ANCHOR **MODEL 2904-2812**

SUB FOR: ANCRA 43795-15-30P,
KINEDYNE 423040, MULTIPRENS 2043-30



HALF TWISTED
SEWN LOOP

27' WITH SEWN LOOP **MODEL 2904-2813**

SUB FOR: ANCRA 43795-13-27,
KINEDYNE 423030, MULTIPRENS 2040-27

30' WITH SEWN LOOP **MODEL 2904-2814**

SUB FOR: ANCRA 43795-13-30,
KINEDYNE 423030, MULTIPRENS 2040-30



FLAT CONTAINER HOOK
FOR ROLL-OFF REFUSE CONTAINERS

5' WITH FLAT CONTAINER HOOK **MODEL 2904-6079**

SUB FOR: ANCRA 49526-10,
KINEDYNE 15435

WORKING LOAD LIMIT (WLL): 5,400 LBS / 2,450 Kg BREAK STRENGTH (BS): 16,200 LBS / 7,350 Kg

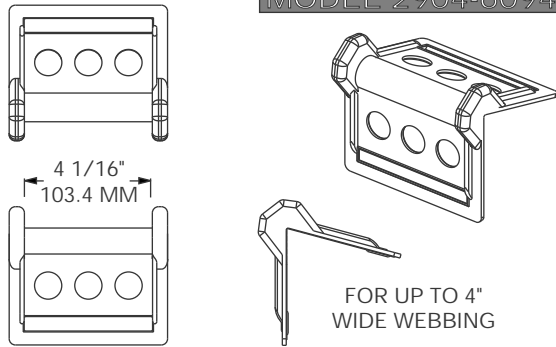
NOTE: FOR LOAD SECURING ONLY, NOT FOR LIFTING. ALL WINCH AND STRAP ASSEMBLIES SHOULD BE INSPECTED FOR FRAYS, CUTS, OR DAMAGED HARDWARE BEFORE AND AFTER USING.

DESIGNED TO MEET OR EXCEED WSTDA T-1 STANDARD.

2900

CORNER & WEBBING PROTECTORS

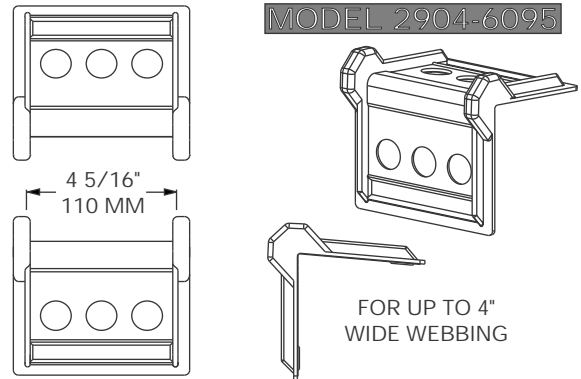
MODEL 2904-6094



FOR UP TO 4"
WIDE WEBBING

MATERIAL: PLASTIC FINISH: COLOR WHITE
WEIGHT: 0.16 LBS / 0.072 Kg

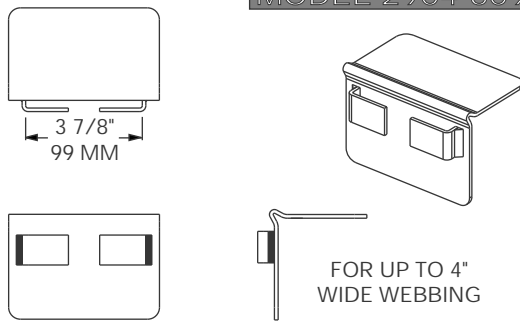
MODEL 2904-6095



FOR UP TO 4"
WIDE WEBBING

MATERIAL: PLASTIC FINISH: COLOR RED
WEIGHT: 0.23 LBS / 0.105 Kg

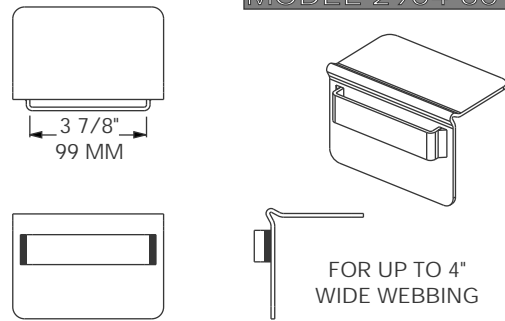
MODEL 2904-6096



FOR UP TO 4"
WIDE WEBBING

MATERIAL: STEEL FINISH: ZINC PLATED
WEIGHT: 1.2 LBS / 0.54 Kg

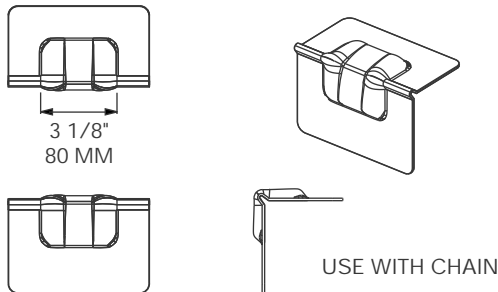
MODEL 2904-6097



FOR UP TO 4"
WIDE WEBBING

MATERIAL: STEEL FINISH: ZINC PLATED
WEIGHT: 1.2 LBS / 0.54 Kg

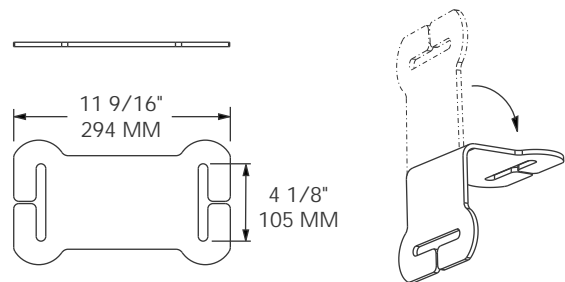
MODEL 2904-6098



USE WITH CHAIN

MATERIAL: STEEL FINISH: ZINC PLATED
WEIGHT: 1.2 LBS / 0.54 Kg

MODEL 2904-6099

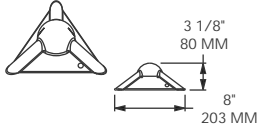


MATERIAL: BLACK RUBBER
FINISH: SELF-COLOR
WEIGHT: 0.68 LBS / 0.31 Kg

2900

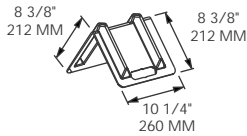


MODEL 2904-6790
FOR TARP PROTECTION



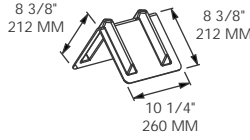
FINISH: COLOR BLACK
WEIGHT: 0.19 LBS / 0.09 Kg

MODEL 2904-6791
STANDARD DUTY



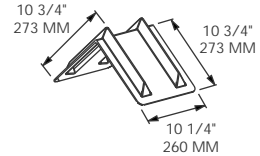
FINISH: COLOR RED
WEIGHT: 0.95 LBS / 0.43 Kg

MODEL 2904-6792
HEAVY DUTY



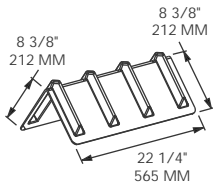
FINISH: COLOR RED
WEIGHT: 1.00 LBS / 0.45 Kg

MODEL 2904-6793
HEAVY DUTY



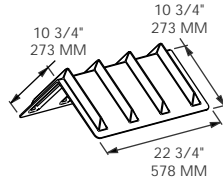
FINISH: COLOR RED
WEIGHT: 1.55 LBS / 0.70 Kg

MODEL 2904-6794
STANDARD DUTY



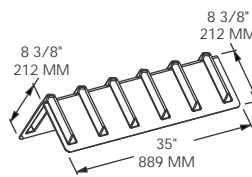
FINISH: COLOR RED
WEIGHT: 3.40 LBS / 1.54 Kg

MODEL 2904-6795
HEAVY DUTY



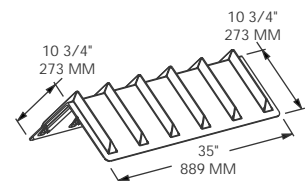
FINISH: COLOR RED
WEIGHT: 3.40 LBS / 1.54 Kg

MODEL 2904-6796
STANDARD DUTY



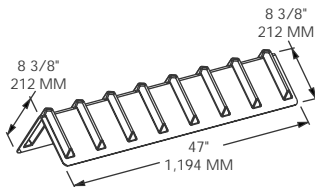
FINISH: COLOR RED
WEIGHT: 3.40 LBS / 1.54 Kg

MODEL 2904-6797
HEAVY DUTY



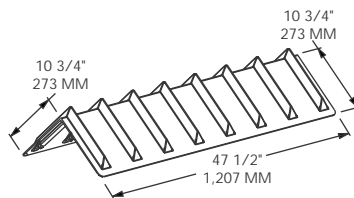
FINISH: COLOR RED
WEIGHT: 5.20 LBS / 2.36 Kg

MODEL 2904-6798
STANDARD DUTY



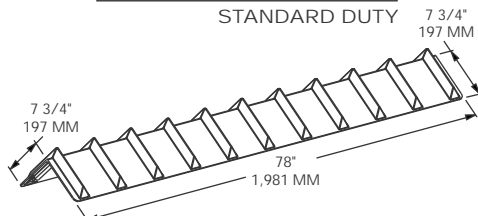
FINISH: COLOR RED
WEIGHT: 3.40 LBS / 1.54 Kg

MODEL 2904-6799
HEAVY DUTY



FINISH: COLOR RED
WEIGHT: 6.65 LBS / 3.02 Kg

MODEL 2904-6800
STANDARD DUTY



FINISH: COLOR RED
WEIGHT: 8.20 LBS / 3.72 Kg

MODEL 2904-6802

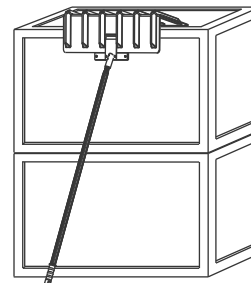
CORNER PROTECTOR PLACEMENT TOOL

MODEL 2904-6803

GRABBER HEAD

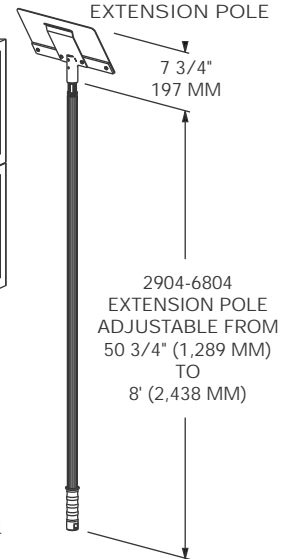
MODEL 2904-6804

EXTENSION POLE



SHOWN PLACING
CORNER PROTECTOR

2904-6802
CORNER PROTECTOR
PLACEMENT TOOL
CONSISTS OF 2904-6803
AND 2904-6804.
2904-6803 AND 2904-6804
ALSO SOLD SEPARATELY.



2904-6804
EXTENSION POLE
ADJUSTABLE FROM
50 3/4" (1,289 MM)
TO
8' (2,438 MM)

2900

