

# CAR LASHING

## ROPE LASHING, STRAP ASSEMBLIES

**MODEL 2909-1463**  
**ROPE AUTOMOBILE TIE-DOWN**

TYPICALLY USED ON RO-RO SHIPS FOR SECURING AUTOMOBILES

MIN 18" / 457 MM MAX 6' 18" / 2,289 MM  
 WORKING LOAD LIMIT (WLL): 400 LBS / 185 Kg  
 BREAK STRENGTH (BS): 1,200 LBS / 544 Kg

- NON-ROTTING DACRON ROPE.
- ALL STEEL PARTS VINYL COATED WITH PLASTIC COATING TO INHIBIT SCRATCHING CAR FINISH.
- BODY HOOK FITS D-RINGS UP TO 1.2" / 30 MM DIA.
- S-HOOK ON ROPE WITH 1 1/8" / 28.5 MM OPENING.

NOTE: NOT FOR LIFTING. LOAD SECURING ONLY.

VEHICLE  
 DECK TIE-DOWN  
 PULL ROPE TO TIGHTEN.  
 PULL ROPE DOWN INTO CLEAT TO SECURE.  
 WEIGHT: 1.9 LBS / 0.86 Kg

**MODEL 2909-6014**  
**RATCHET STRAP ASSEMBLY**  
 1" x 7' WITH S-HOOKS

4 13/16"  
 15" FIXED LENGTH  
 MAX WORK LENGTH

WORKING LOAD LIMIT (WLL): 1,033 LBS / 468 Kg  
 BREAK STRENGTH (BS): 3,100 LBS / 1,406 Kg

NOTE: NOT FOR LIFTING. LOAD SECURING ONLY.  
 WEIGHT: 1.8 LBS / 0.81 Kg

**MODEL 2909-6012**  
**OVER CENTER BUCKLE STRAP**  
 1" x 6' 6" WITH FLAT HOOKS

MAX WORK LENGTH

1. PUSH HANDLE TOWARD FIXED LENGTH END AS SHOWN. PULL THE LOOSE END OF THE STRAP TO TIGHTEN.
2. WITH HOOKS ATTACHED PULL HANDLE BACK UNTIL IT CLICKS PASS LOCKING KNOBS.
3. IN THIS POSITION THE STRAP ASSEMBLY IS NOW IN THE SECURED POSITION.

TO RELEASE RETURN HANDLE TOWARDS FIXED LENGTH END.

FIXED LENGTH END  
 LOCKING KNOBS ON BOTH SIDES OF HANDLE  
 PULL HERE TO TIGHTEN  
 TO S-HOOK TO S-HOOK  
 WEAVING STRAP THROUGH OVER CENTER BUCKLE OVER CENTER BUCKLE SECTION

WORKING LOAD LIMIT (WLL): 1,100 LBS / 498 Kg  
 BREAK STRENGTH (BS): 3,300 LBS / 1,496 Kg

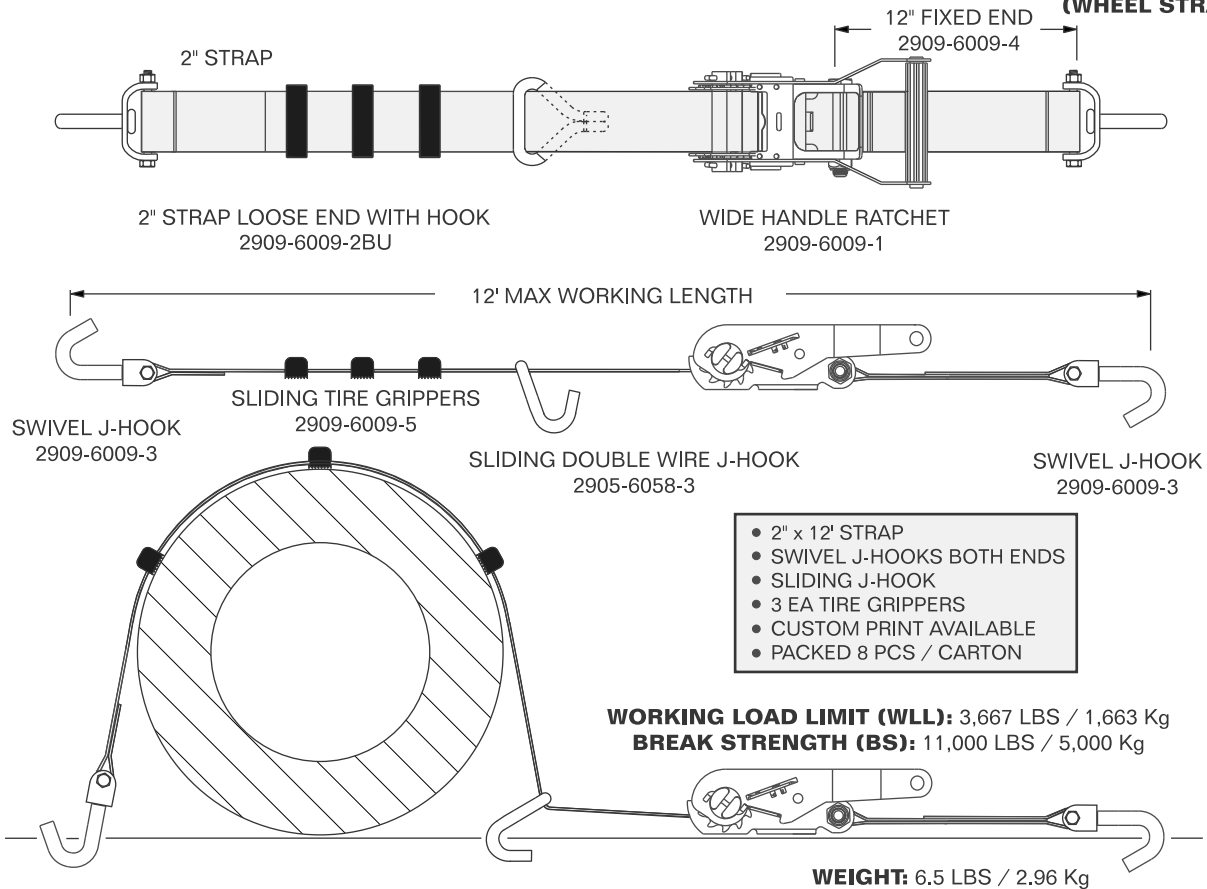
NOTE: NOT FOR LIFTING. LOAD SECURING ONLY.  
 WEIGHT: 1.40 LBS / 0.64 Kg

2900



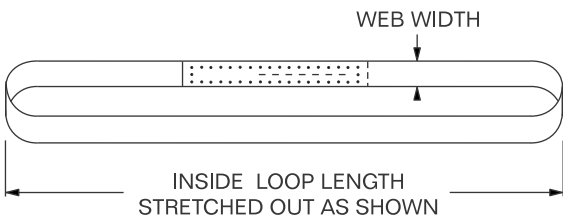
**MODEL 2909-6009-BU**

**RATCHET TIE-DOWN FOR AUTOMOBILE HAULER (WHEEL STRAP)**



**2900**

**ENDLESS SLING / RING SLING**



**USED AS TIE-OFF POINTS FOR VEHICLES ON RO-RO SHIPS**

**VERTICAL WORKING LOAD LIMIT IS 1/5 OF MINIMUM BREAK STRENGTH**

MODEL	WEB WIDTH	CIRCUM.	INSIDE LOOP LENGTH	MBS VERTICAL	WLL VERTICAL	WLL BASKET 2 x VERT.	WLL CHOKER 0.8 x VERT.	COLOR
<b>2909-6017</b>	1 1/8" 28 MM	4' 1.2 M	2' 0.6 M	16,000 LBS 7,260 Kg	3,200 LBS 1,452 Kg	6,400 LBS 2,900 Kg	2,560 LBS 1,161 Kg	WHITE
<b>2909-6778</b>	2" 50 MM	10' 3 M	5' 1.5 M	8,818 LBS 4,000 Kg	1,764 LBS 800 Kg	3,527 LBS 1,600 Kg	1,410 LBS 640 Kg	BLUE
<b>2909-6779</b>	2" 50 MM	10' 3 M	5' 1.5 M	16,534 LBS 7,500 Kg	3,306 LBS 1,500 Kg	6,614 LBS 3,000 Kg	2,645 LBS 1,200 Kg	GREEN
<b>2909-6780</b>	3" 75 MM	8' 2.44 M	4' 1.22 M	22,046 LBS 10,000 Kg	4,409 LBS 2,000 Kg	8,818 LBS 4,000 Kg	3,527 LBS 1,600 Kg	RED





# CLUSTER CHAIN ASSEMBLIES

MODELS 2909-2764 & 2909-2876  
CLUSTER CONTAINS 2 MASTER LINKS,  
GRAB HOOK, R-HOOK, T-HOOK AND S-HOOK.

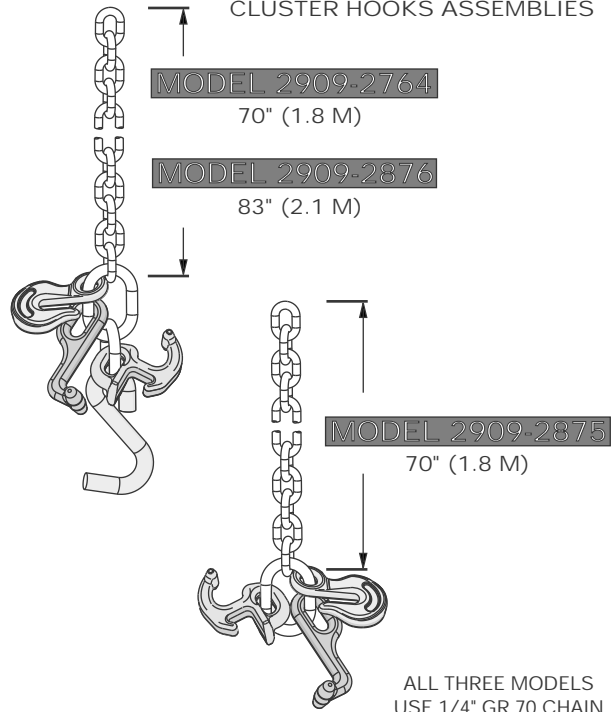
MODEL 2909-2875  
CLUSTER CONTAINS 1 MASTER LINK, GRAB HOOK,  
R-HOOK AND T-HOOK. DOES NOT CONTAIN S-HOOK.

GRAB HOOK (5/16") FOR MISC. SECURING  
R-HOOK FITS FORD  
T-HOOK FITS GM, CHRYSLER  
S-HOOK FITS OTHER MAKES

MATERIAL: FORGED STEEL  
FINISH: ZINC PLATED

WORKING LOAD LIMIT (WLL): 3,150 LBS / 1,430 Kg  
NOTE: NOT FOR LIFTING. LOAD SECURING ONLY.

## CLUSTER HOOKS ASSEMBLIES



2900

**BUFFERS USA INC**

"The Intermodal Hardware Specialists"



904-696-0010

FAX 904-696-0019

E-mail: [sales@buffersusa.com](mailto:sales@buffersusa.com)

2909-3