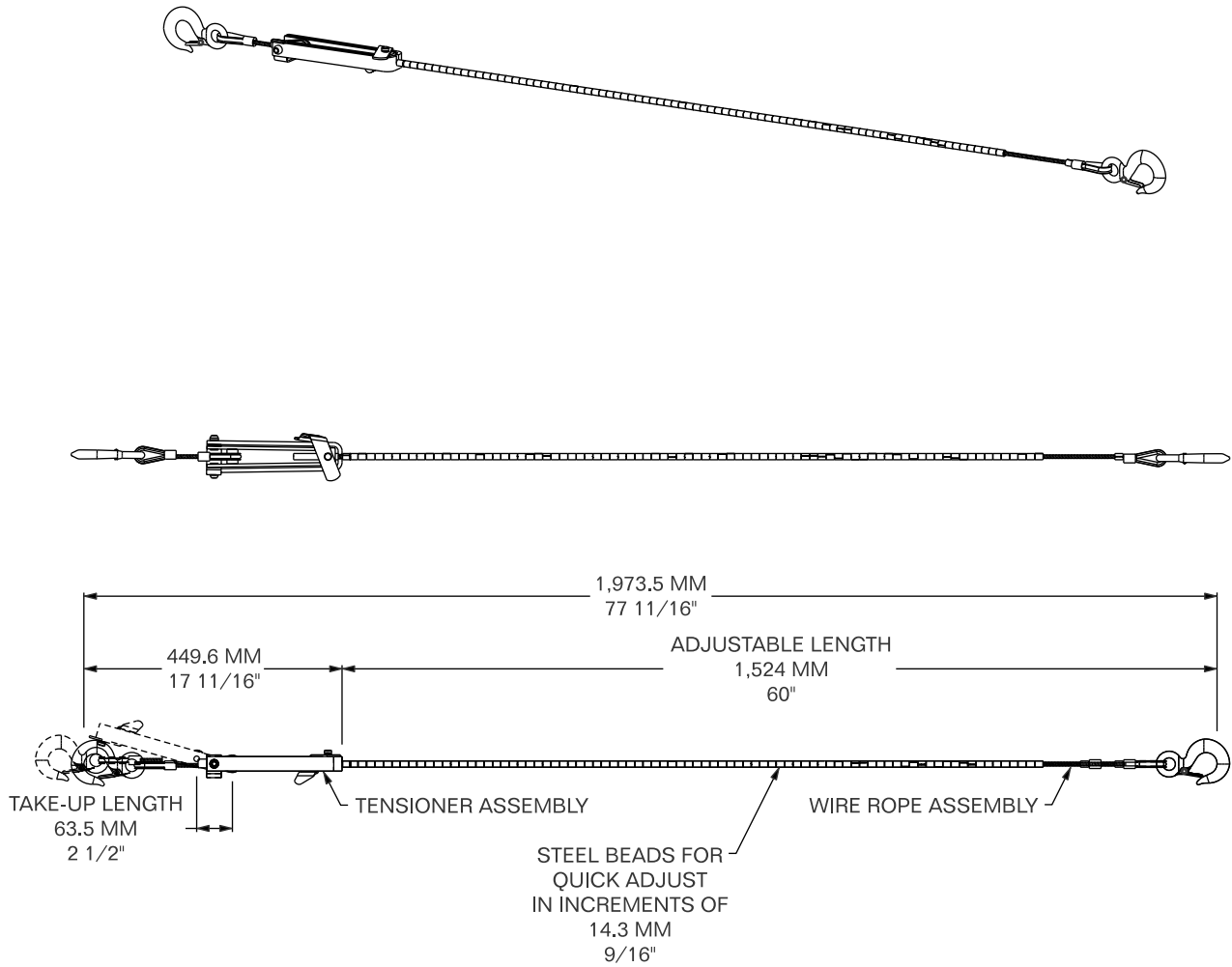




CABLE TIEDOWN ASSEMBLY

MODEL 6107-7M/728



MIN. B.S.: 7,000 LBS

SUB FOR: PECK & HALE 7M/728

MATERIAL: STEEL

FINISH: GALVANIZED

WEIGHT: 2.90 Kg / 6.40 LBS

BUFFERS USA INC

"The Intermodal Hardware Specialists"



904-696-0010

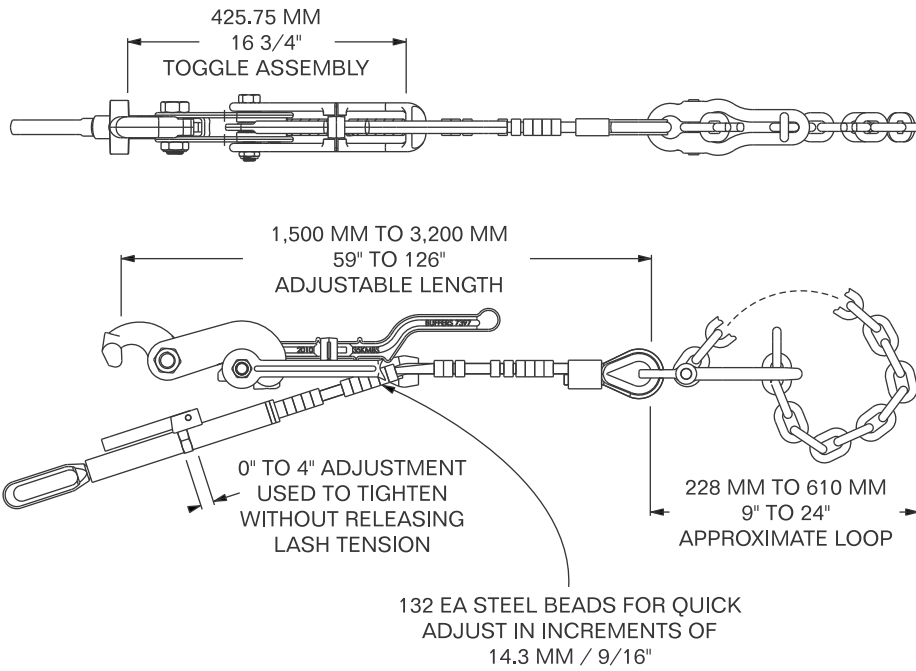
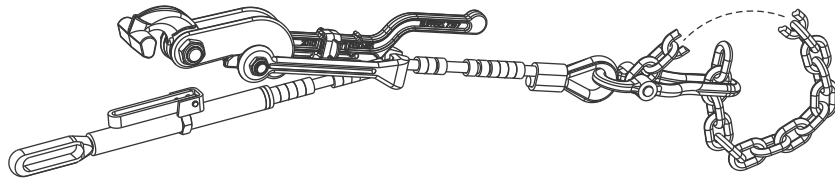
FAX 904-696-0019

E-mail: sales@buffersusa.com

05/05/11

6107-1

MODEL 6107-7397



MIN. B.S.: 35,000 LBS

SUB FOR: PECK & HALE 35M/819

MATERIAL: FORGED, CAST AND STAINLESS STEEL

FINISH: ZINC PLATED, HOT DIPPED GALVANIZED (HDG) OR SELF-COLOR

WEIGHT: 22.5 Kg / 49.6 LBS