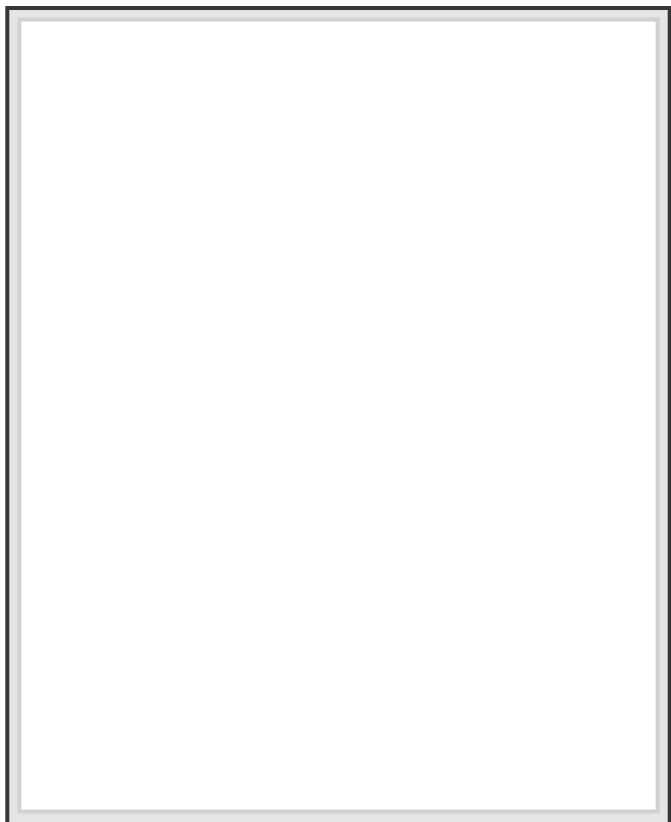
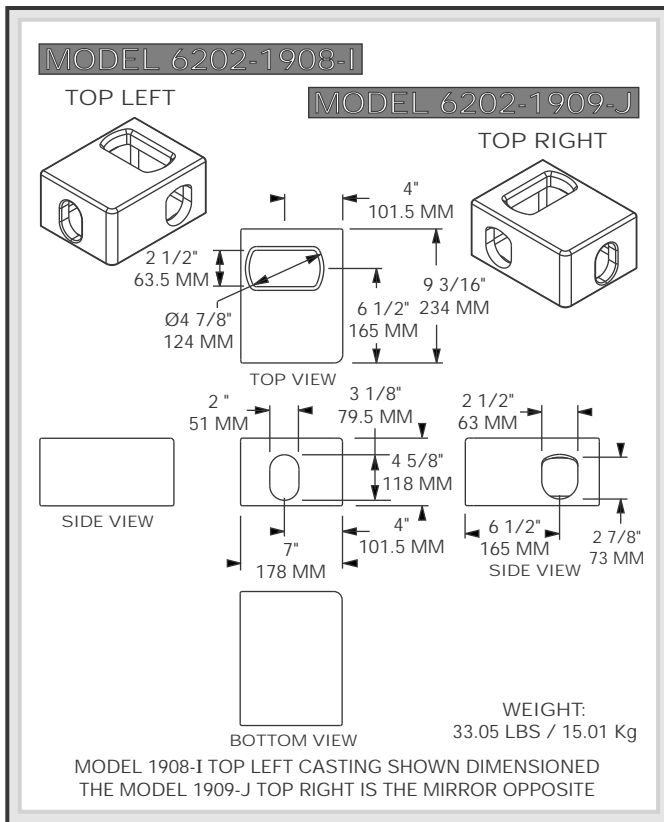
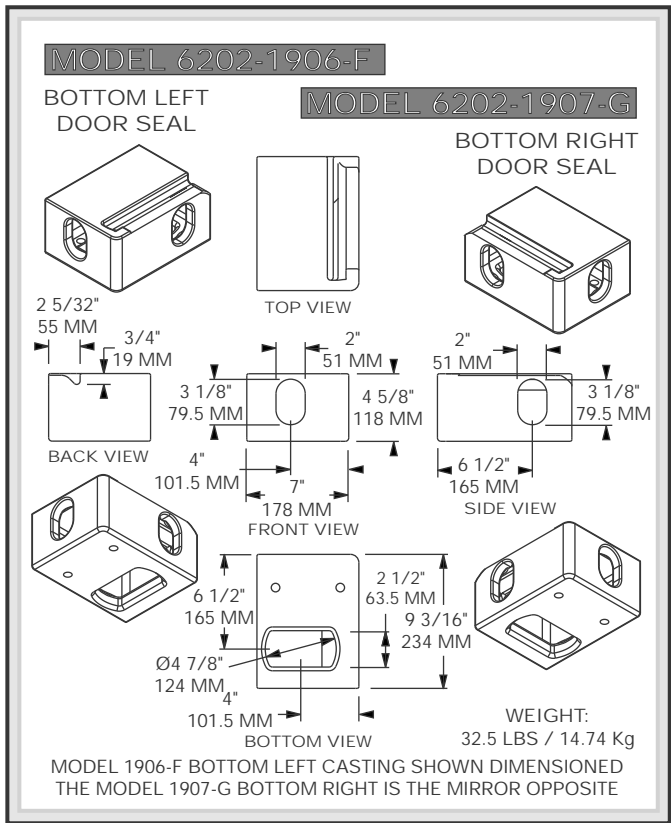
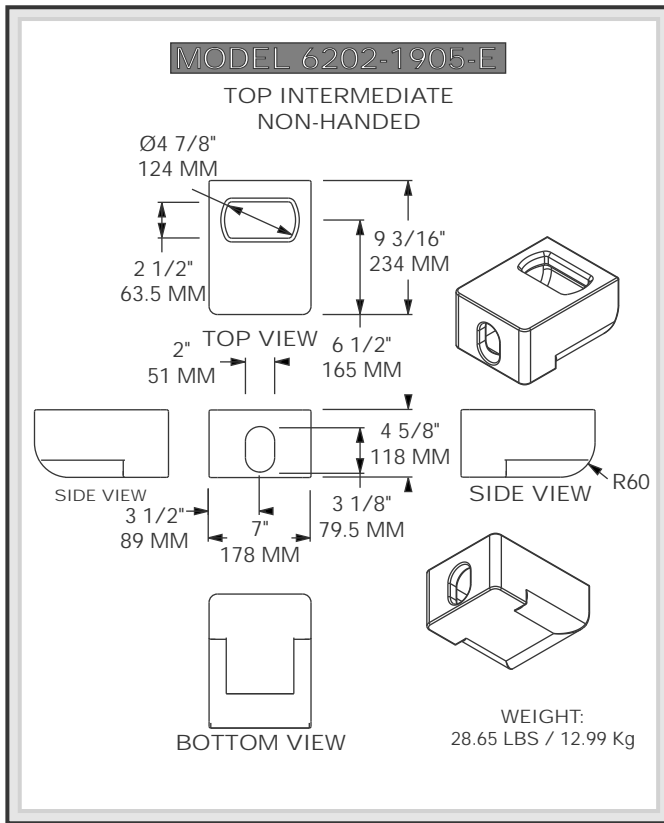


6200



CORNER CASTINGS FOR 102" WIDE CONTAINERS



6200

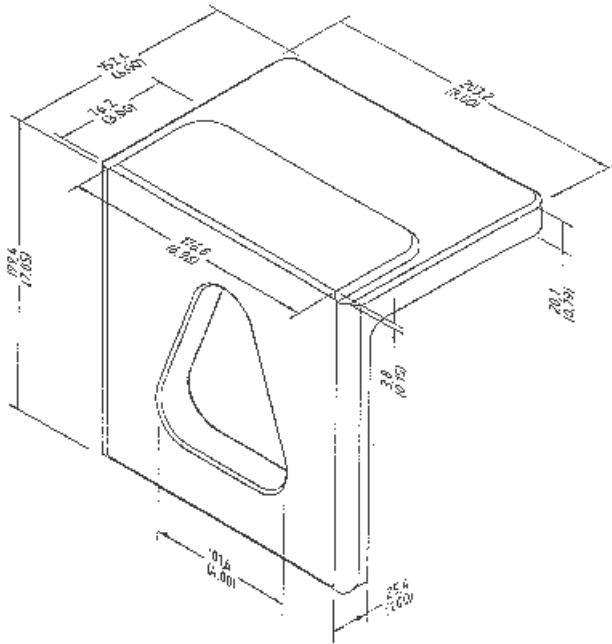




USA INLAND CONTAINER CORNER CASTINGS

MODEL 6202-5011-E

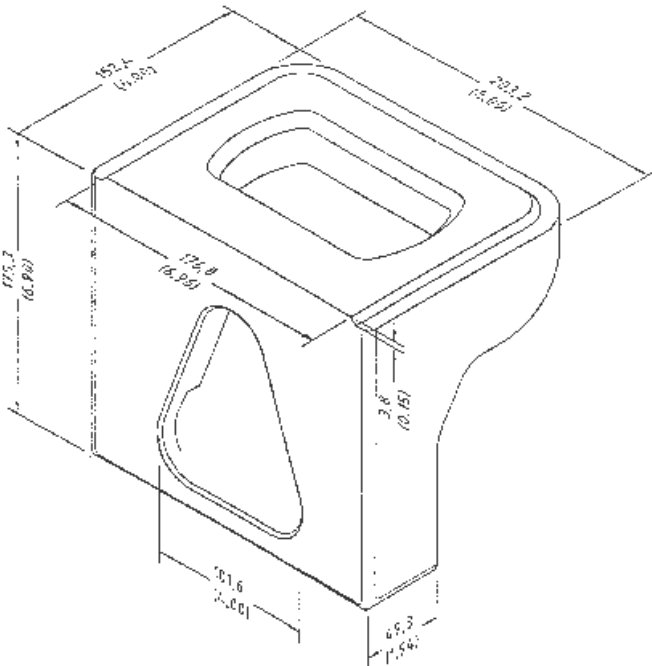
**TOP INTERMEDIATE
PINLIFT**



FITS: 102 3/8" CONTAINERS
WEIGHT: 23.10 LBS / 10.5 Kg

MODEL 6202-5017-E

**TOP INTERMEDIATE
PINLIFT STACKABLE
SHALLOW STYLE
FOR WIDE LIFT**



FITS: 102 3/8" CONTAINERS
WITH WIDE LIFT
WEIGHT: 27.94 LBS / 12.7 Kg

6200

BUFFERS USA INC

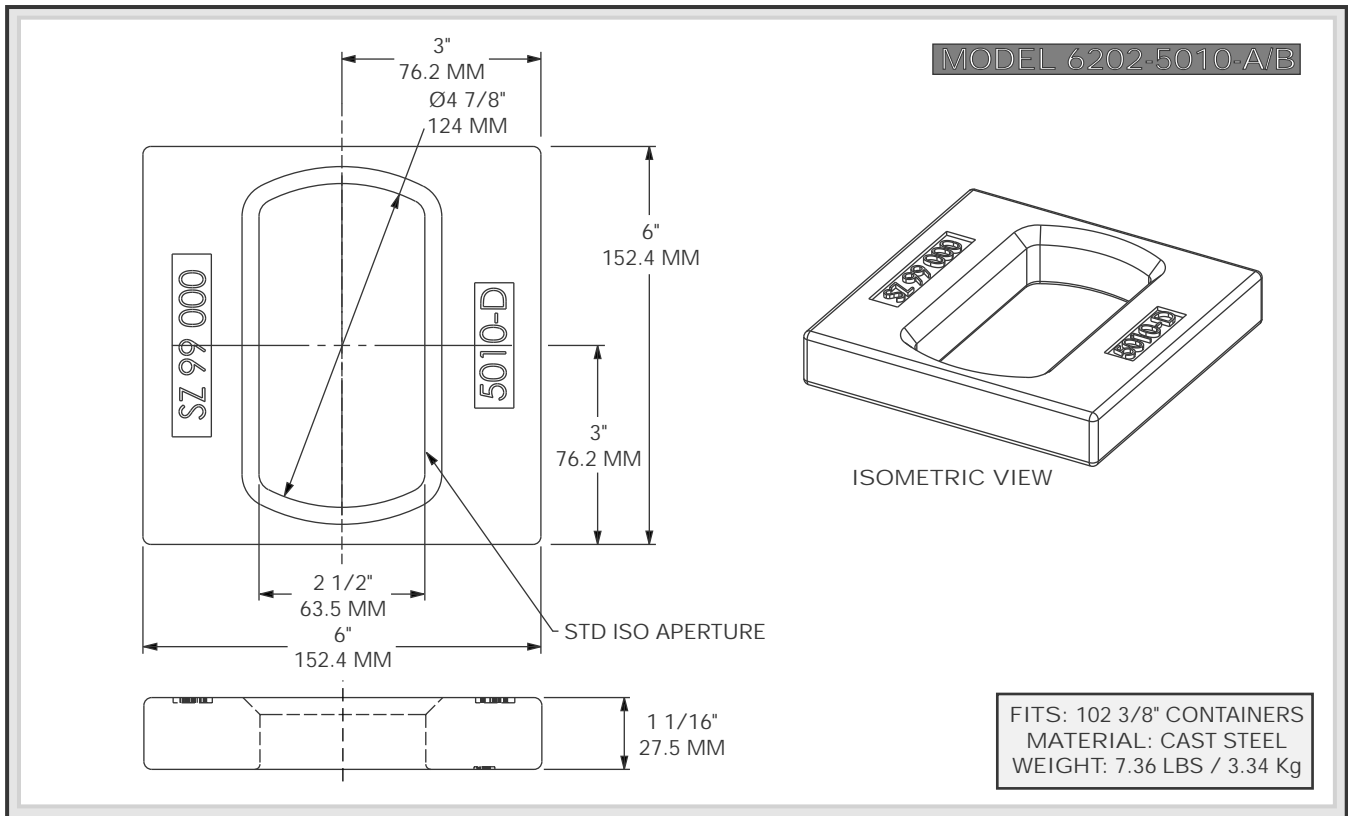
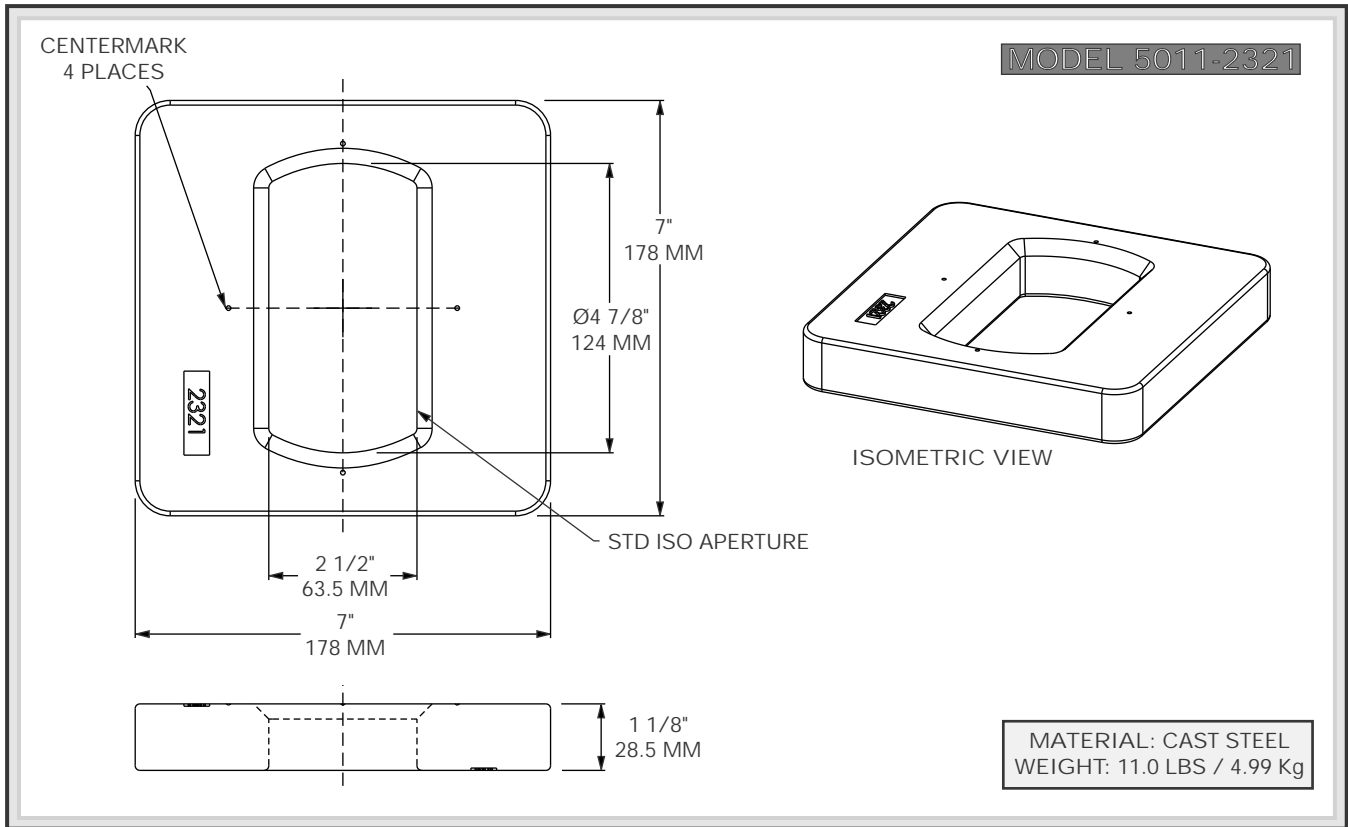
"The Intermodal Hardware Specialists"



904-696-0010

FAX 904-696-0019

E-mail: sales@buffersusa.com



6200

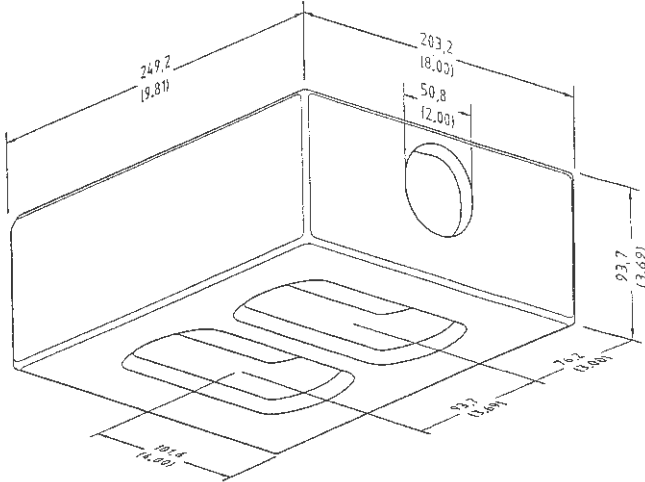




USA INLAND CONTAINER CORNER CASTINGS

MODEL 6202-5020-C/D

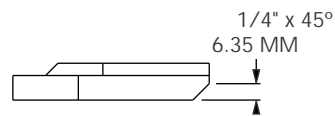
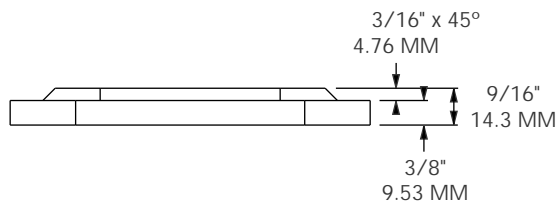
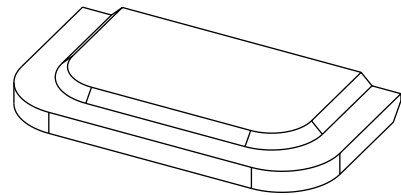
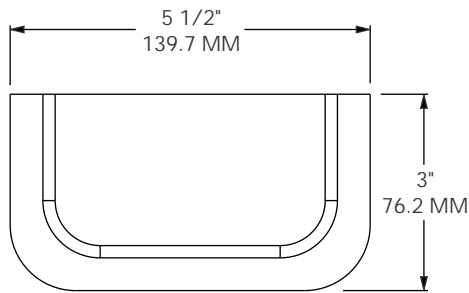
DOUBLE APERTURE
BOTTOM INTERMEDIATE
SHALLOW STYLE



FITS: 102 3/8" CONTAINERS
MATERIAL: CAST STEEL
WEIGHT: 31.5 LBS / 14.3 Kg

MODEL 6202-6308

WELD FLANGE CASTING
FOR STACKING POST



FITS: STOUGHTON 102" CONTAINERS
MATERIAL: WELDABLE STEEL CASTING
WEIGHT: 2.2 LBS / 0.9 Kg

6200

BUFFERS USA INC [®]
"The Intermodal Hardware Specialists"



904-696-0010 FAX 904-696-0019

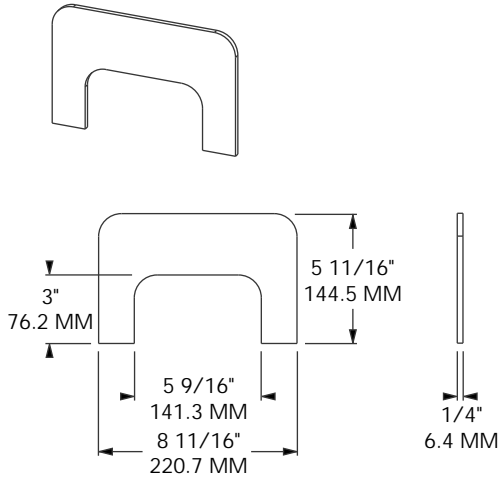
E-mail: sales@buffersusa.com

07/20/10

6202-5

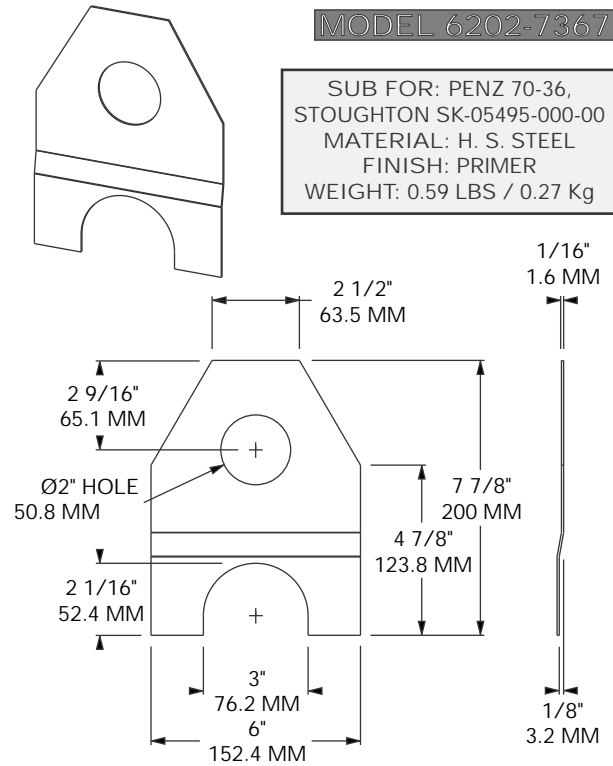
REINFORCING PLATES FOR 102' CONTAINERS

MODEL 6202-7366

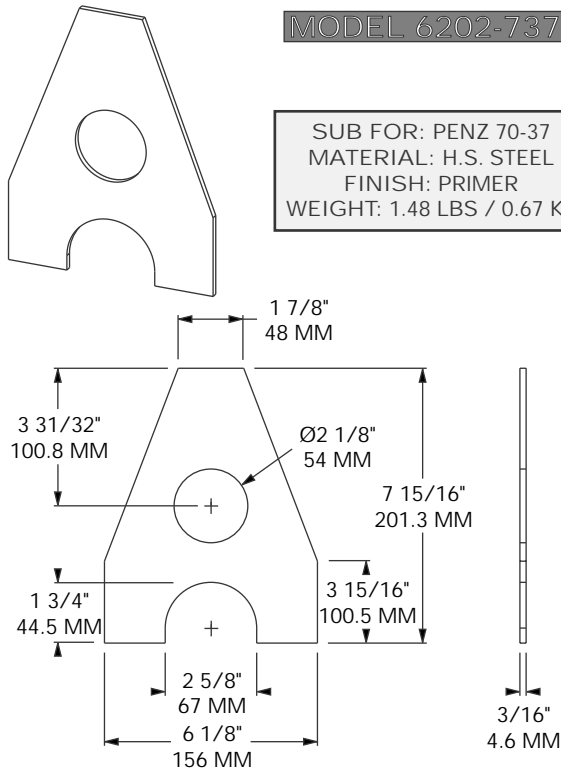


SUB FOR: PENZ 70-35,
STOUGHTON SK-04946-000-00
MATERIAL: H.S. STEEL
FINISH: PRIMER
WEIGHT: 2.35 LBS / 1.06 Kg

MODEL 6202-7367



MODEL 6202-7379



SUB FOR: PENZ 70-37
MATERIAL: H.S. STEEL
FINISH: PRIMER
WEIGHT: 1.48 LBS / 0.67 Kg

6200

