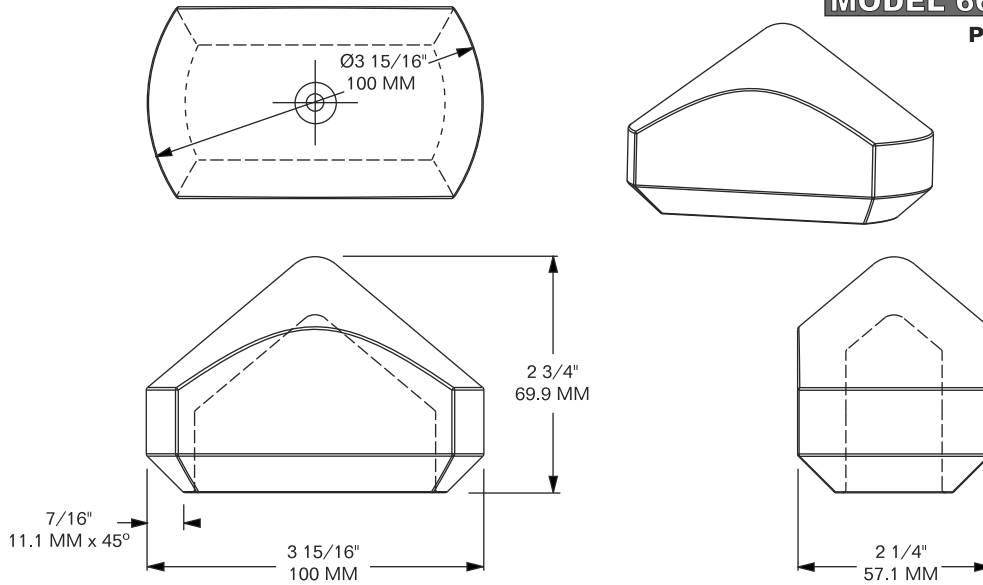


POSITIONING CONE & GUIDE

MODEL 6602-1194-P

MODEL 6602-1194-NRP

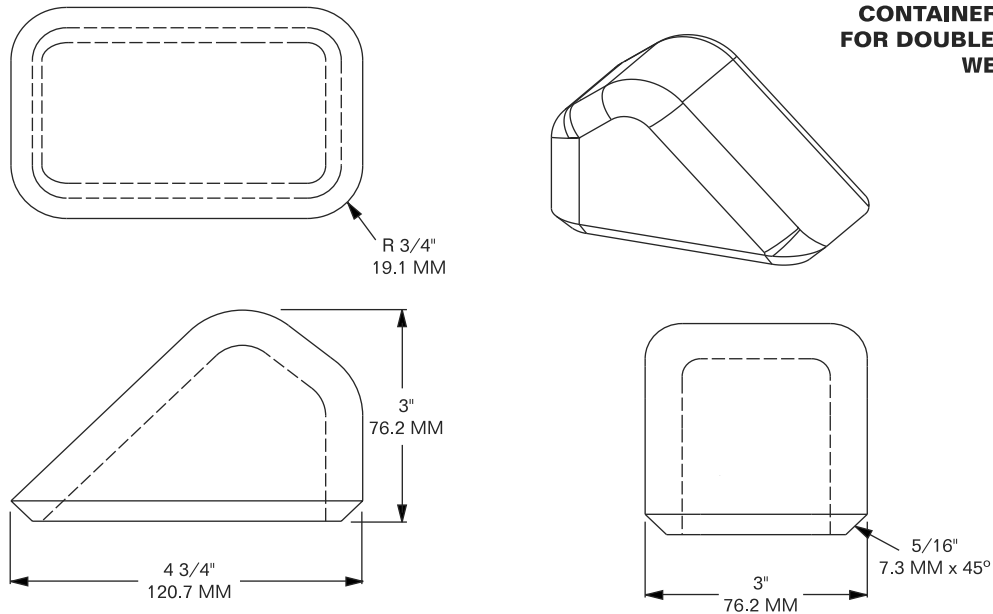
POSITIONING CONE



MATERIAL: CAST STEEL **FINISH:** P = PRIMER / NRP = NO RUST PROTECTION **WEIGHT:** 2.05 LBS / 0.93 Kg

MODEL 6602-1196

**CONTAINER GUIDE
FOR DOUBLE STACK
WELL CAR**



MATERIAL: CAST STEEL **FINISH:** PRIMER **WEIGHT:** 4.5 LBS / 2.04 Kg

6600

