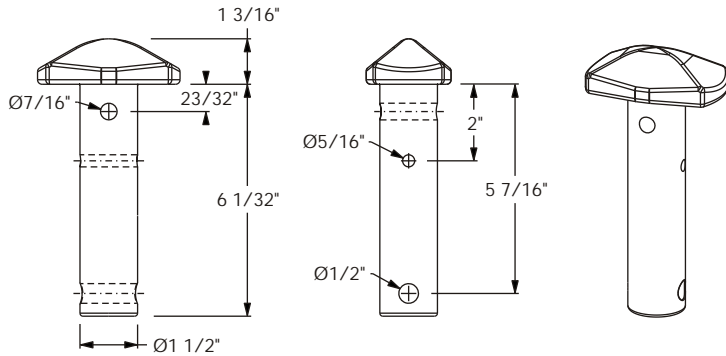
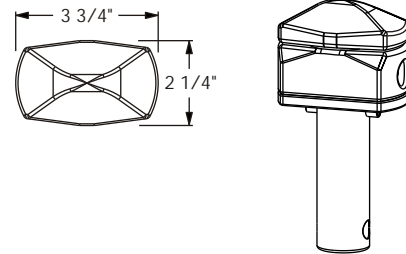


1100

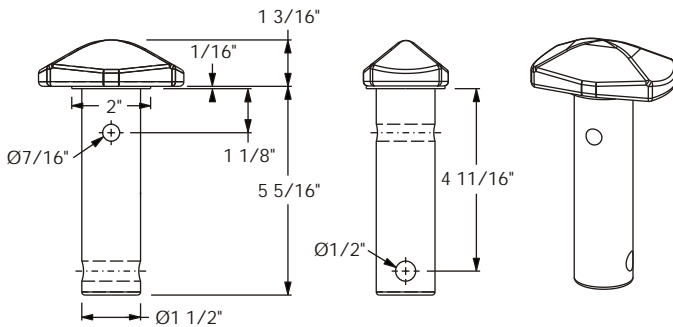


**MODEL 1105-3533-2**

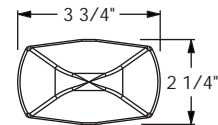
**MODEL 1105-3533-INNER**



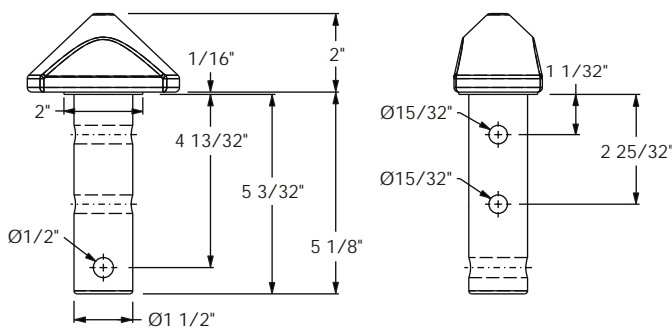
FITS: BUFFERS 1101-3523, 1101-3533, 1101-3590 TWISTLOCKS  
 WORKS WITH: BUFFERS 1107-3133-4 HANDLE, 1108-3133-18 LATCH  
 MATERIAL: FORGED STEEL FINISH: PRIMER WEIGHT: 4.28 LBS / 1.94 Kg



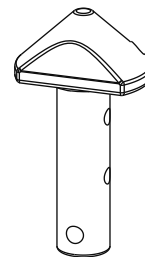
**MODEL 1105-3534-2**



FITS: BUFFERS 1101-3534, 1101-3541,  
 1101-3594 TWISTLOCKS  
 WORKS WITH: BUFFERS 1107-3133-4 HANDLE,  
 1108-3534-18 LATCH  
 MATERIAL: FORGED STEEL  
 FINISH: PRIMER  
 WEIGHT: 4.02 LBS / 1.82 Kg



**MODEL 1105-3557-2**



FITS: BUFFERS 1102-3262, 1102-3557,  
 1102-3559 TWISTLOCKS  
 WORKS WITH: BUFFERS 1107-1257-4, 1107-1259-4,  
 1107-260-4 HANDLE  
 MATERIAL: FORGED STEEL FINISH: PRIMER  
 WEIGHT: 4.93 LBS / 2.24 Kg

