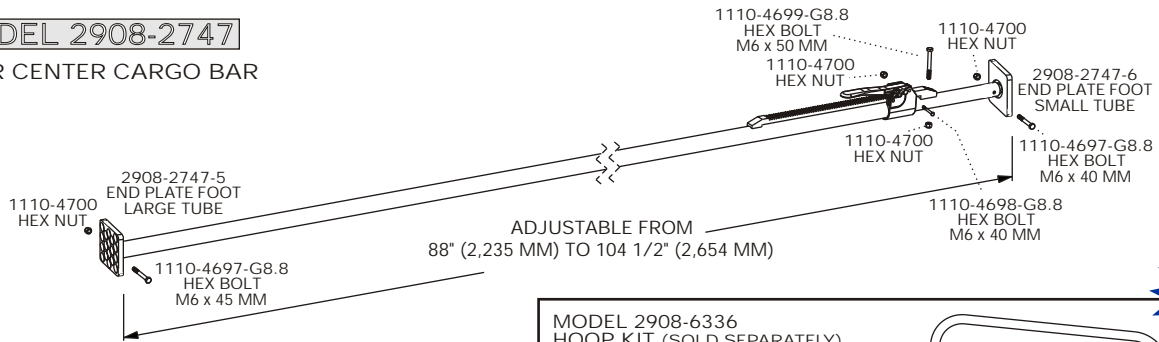


MODEL 2908-2747

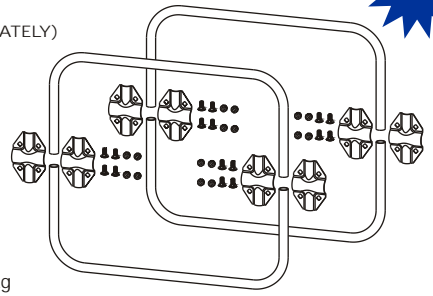
OVER CENTER CARGO BAR



OVER CENTER TYPE HANDLE. SWIVEL TYPE FEET WITH REINFORCED NON-MARKING RUBBER END PADS. RUGGED DUCTILE IRON HANDLE AND HOUSING. ZINC PLATED. WEIGHT: 12.4 LBS / 5.6 Kg

MODEL 2908-6336 HOOP KIT (SOLD SEPARATELY)

INCLUDES BOLT-ON HOOPS, BRACKETS, AND FASTENERS FOR 2747 CARGO BAR. PROVIDES LARGER SECURING AREA

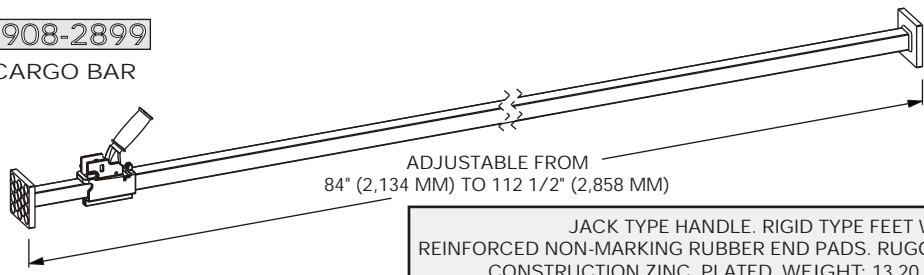


WEIGHT: 13.2 LBS / 6.0 Kg



MODEL 2908-2899

JACK TYPE CARGO BAR

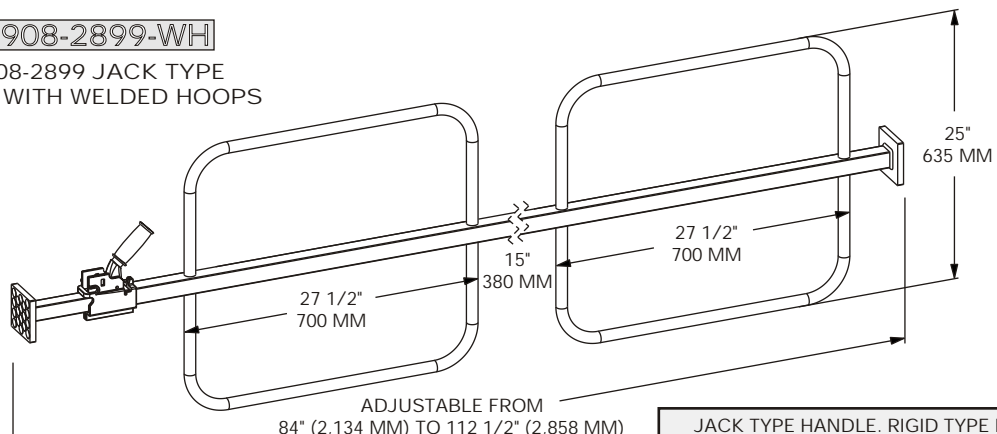


JACK TYPE HANDLE. RIGID TYPE FEET WITH REINFORCED NON-MARKING RUBBER END PADS. RUGGED SQUARE TUBING CONSTRUCTION ZINC PLATED. WEIGHT: 13.20 LBS / 5.99 Kg

2900

MODEL 2908-2899-WH

SAME AS 2908-2899 JACK TYPE CARGO BAR WITH WELDED HOOPS



JACK TYPE HANDLE. RIGID TYPE FEET WITH REINFORCED NON-MARKING RUBBER END PADS. RUGGED SQUARE TUBING CONSTRUCTION AND WELDED HOOPS. ZINC PLATED. WEIGHT: 25.0 LBS / 11.3 Kg

