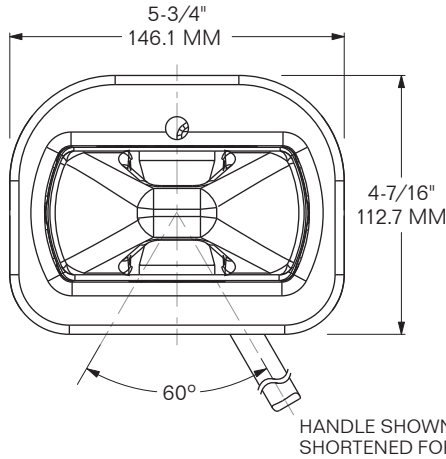
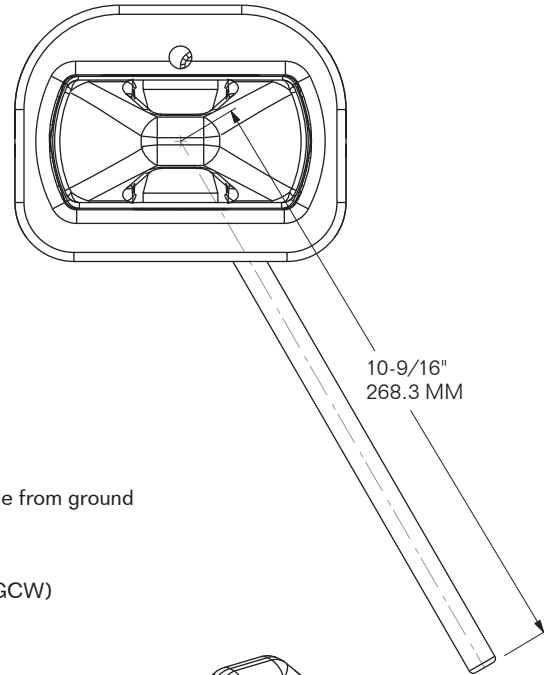


**DESIGNED FOR USE ON DOUBLE-STACKED RAIL CARS.
UNCONDITIONAL AAR APPROVAL PER AAR-M-998-2008**

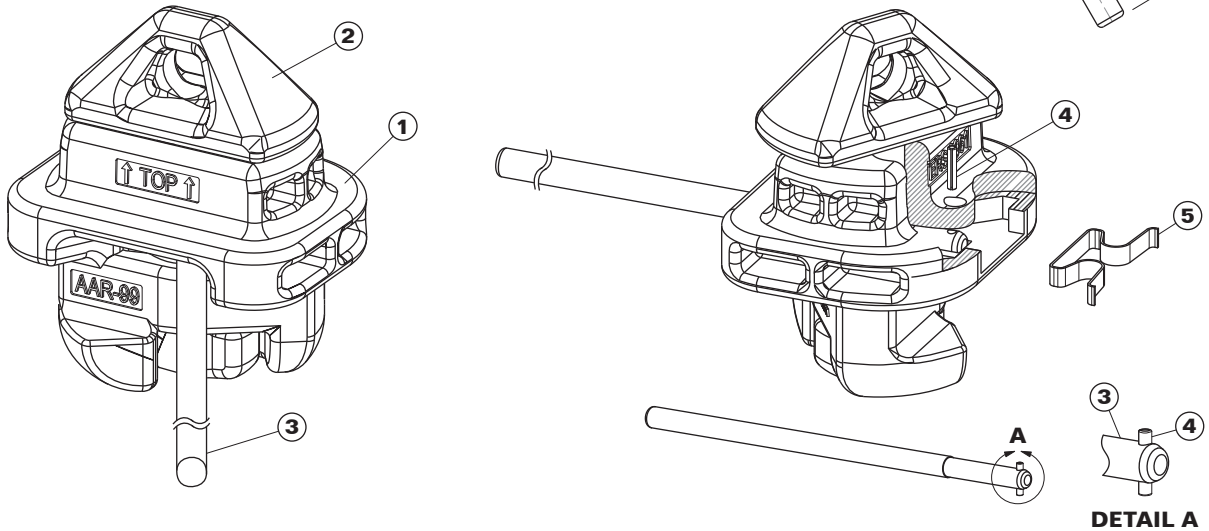
MODEL 6601-6961-L



SHOWN WITH FULL-LENGTH HANDLE



- Locks to the left
- Fits both standard 96"- and 102"-wide containers
- Handle can be operated from side with aluminum pole from ground
- Fixed-base design eliminates bolts and nuts
- Cannot be fitted upside down
- Designed for 80,000 lbs. Gross Container Weight (GCW)



ITEM	MODEL	DESCRIPTION	MATERIAL	FINISH
1	6601-6961-1-L	Housing	Cast Steel	Hot-Dip Galvanized (HDG)
2	6601-6961-2	Pin	Forged Steel	Hot-Dip Galvanized (HDG)
3	6601-6961-4	Handle	High-Tensile Steel	Hot-Dip Galvanized (HDG)
4	1110-4757-SS	Split Roll Pin	Stainless Steel	Self-Color
5	5005-2936-5	Leaf Spring	Stainless Steel	Self-Color

WEIGHT: 13.9 LBS / 6.3 Kg