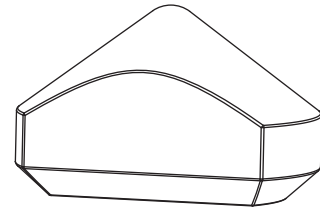


MODEL 6602-1194-P

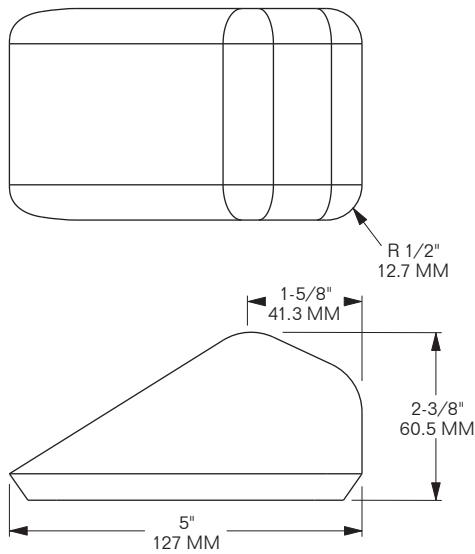
MODEL 6602-1194-NRP

**POSITIONING CONE
FOR DOUBLE-STACK
WELL CAR**



**IN COMPLIANCE w/ AAR-M-930 & S-2053.
APPROVED BY TTX PER REF. # 4000904.**

MATERIAL: CAST STEEL **FINISH:** P = PRIMER, NRP = NO RUST PROTECTION **WEIGHT:** 2.4 LBS / 1.09 Kg

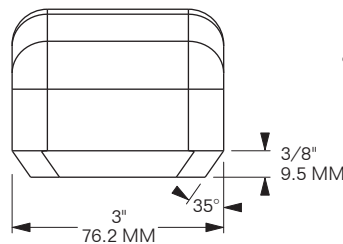
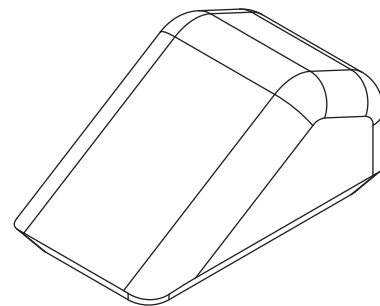


SPECIAL ORDER ONLY

MODEL 6602-8078-P

MODEL 6602-8078-NRP

**CONTAINER GUIDE
FOR DOUBLE-STACK
WELL CAR**



**IN COMPLIANCE w/ AAR-M-930 & S-2053.
APPROVED BY TTX PER REF. # 4000013.**

MATERIAL: CAST STEEL **FINISH:** P = PRIMER, NRP = NO RUST PROTECTION **WEIGHT:** 4.1 LBS / 1.86 Kg