



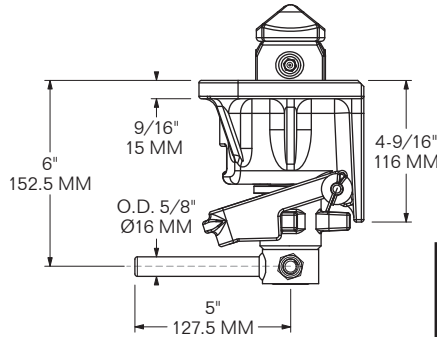
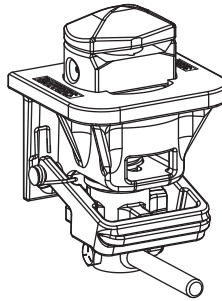
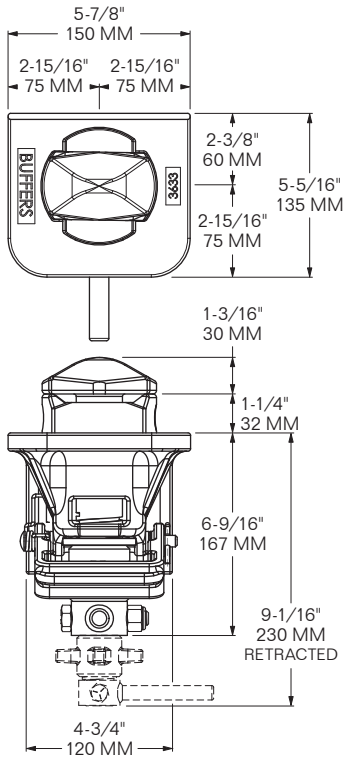
# TWISTLOCKS - CHASSIS TYPE

RETRACTABLE & NON-RETRACTABLE SCREWDOWN

CHASSIS

**MODEL 1101-3629-RS**

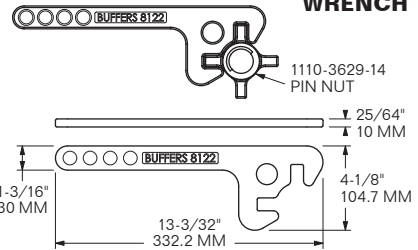
**MODEL 1101-3629-NRS**



**FINISH: WELDABLE PRIMER**  
**WEIGHT: 20.8 LBS / 9.43 Kg**

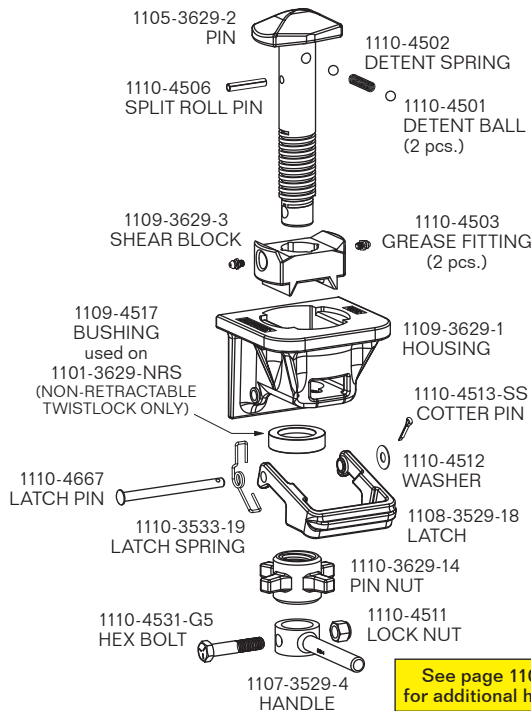
**MODEL 1111-8122**

**WRENCH**



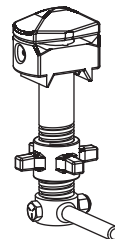
**WORKS WITH:** BUFFERS 1101-3629, 1101-3729 & 1101-3829 TWISTLOCKS  
**MATERIAL:** CAST STEEL  
**FINISH:** HOT-DIP GALVANIZED (HDG)  
**WEIGHT:** 2.12 LBS / 0.96 Kg

**EXPLODED VIEW**



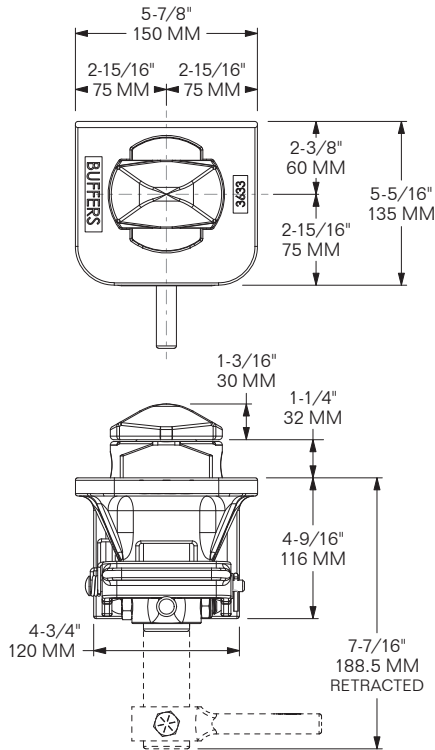
See page 1107-29 for additional handles.

- Non-handed design; locks to either left or right
- Cast steel Housing & forged steel Pin
- Easy conversion from Retractable to Non-Retractable w/ 1109-4517 Bushing
- Screwdown Nut w/ Latch for tighter securing
- Stainless steel Latch Spring to eliminate bounce



**1105-3629-INNER** contains:  
 1105-3629-2 Pin  
 1110-4501 Detent Ball (2 pcs.)  
 1110-4502 Detent Spring  
 1110-4506 Split Roll Pin  
 1109-3629-3 Shear Block  
 1110-4503 Grease Fitting (2 pcs.)  
 1110-3629-14 Pin Nut  
 1107-3529-4 Handle  
 1110-4531-G5 Hex Bolt  
 1110-4511 Hex Nut

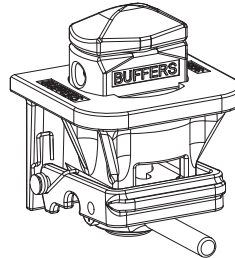




**MODEL 1101-3633-R**

**MODEL 1101-3633-NR**

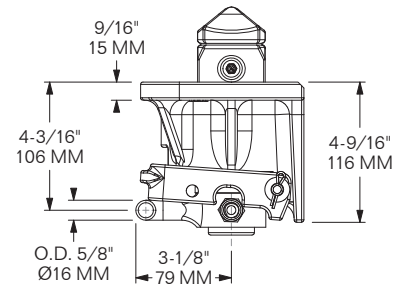
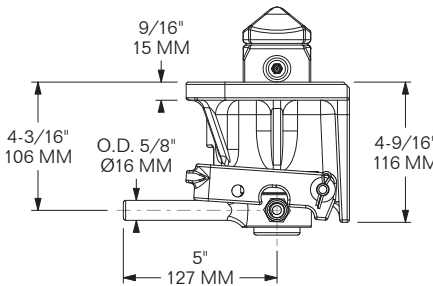
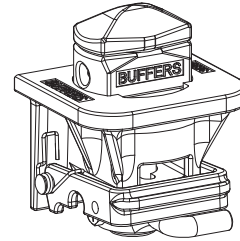
w/ Straight Handle



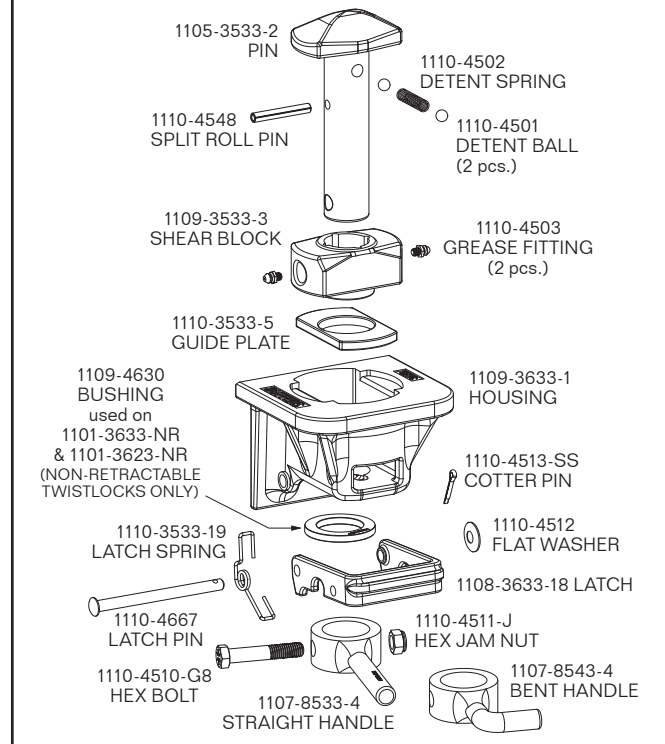
**MODEL 1101-3623-R**

**MODEL 1101-3623-NR**

w/ L-Handle



**EXPLODED VIEW**



**FINISH: WELDABLE PRIMER**  
**3633-NR WEIGHT: 19 LBS / 8.62 Kg**  
**3623-NR WEIGHT: 19.6 LBS / 8.89 Kg**

- Non-handed design; locks to either left or right
- Cast steel Housing and forged steel Pin
- Easy conversion from Retractable to Non-Retractable w/ 1109-4630 Bushing
- Heavy-duty Housing for End-of-Bolster use
- Stainless steel Latch Spring to eliminate bounce
- Dual Grease Fittings

**1105-3533-INNER** contains:  
 1105-3533-2 Pin  
 1110-4501 Detent Ball (2 pcs.)  
 1110-4502 Detent Spring  
 1110-4548 Split Roll Pin  
 1109-3533-3 Shear Block  
 1110-4503 Grease Fitting (2 pcs.)  
 1110-3533-5 Guide Plate



# TWISTLOCKS - CHASSIS TYPE

NON-RETRACTABLE  
STRAIGHT or BENT HANDLE

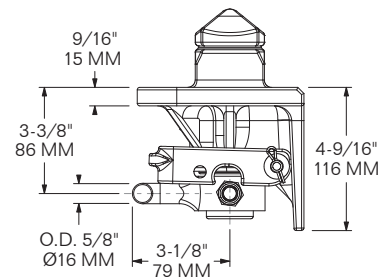
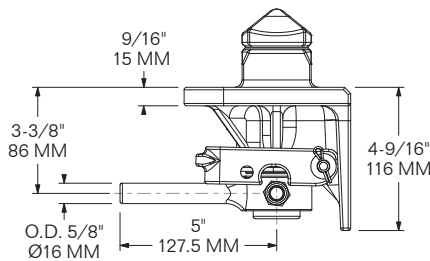
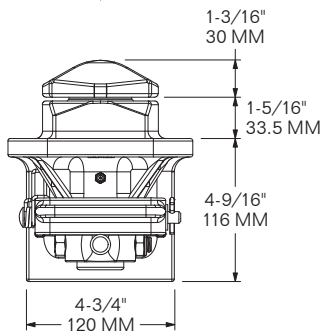
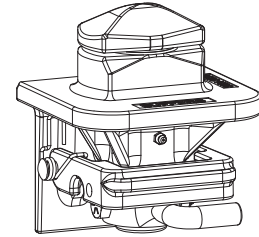
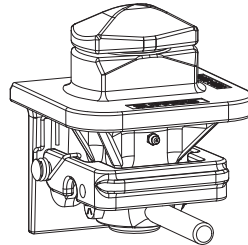
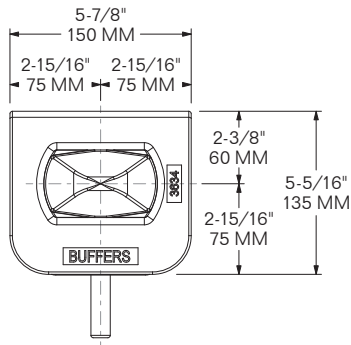
CHASSIS

## MODEL 1101-3634-NR

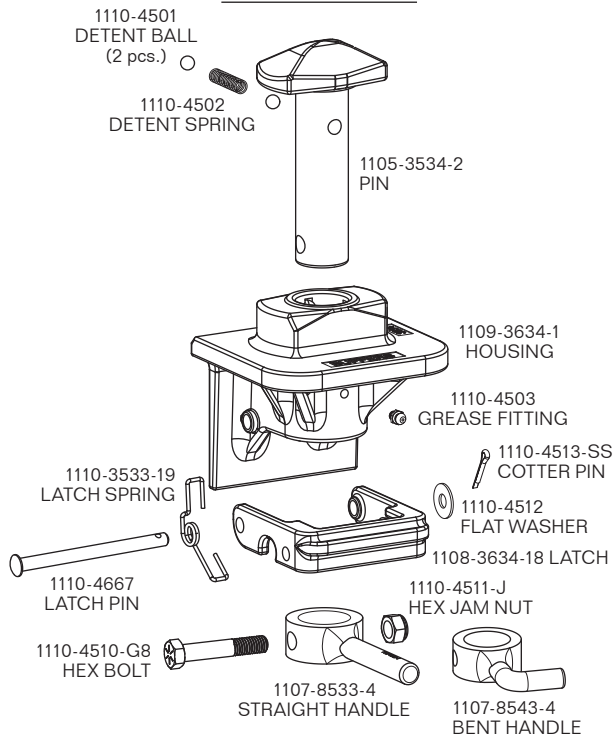
w/ Straight Handle

## MODEL 1101-3624-NR

w/ L-Handle



### EXPLODED VIEW



**FINISH: WELDABLE PRIMER**  
**WEIGHT: 18.9 LBS / 8.6 Kg**

- Non-handed design; locks to either left or right
- Cast steel Housing and forged steel Pin
- Heavy-duty Housing for End-of-Bolster use
- Stainless steel Latch Spring to eliminate bounce
- Grease Fitting

**BUFFERS USA INC**

"The Intermodal Hardware Specialists"

**1101-14**



**904-696-0010**

E-mail: [sales@buffersusa.com](mailto:sales@buffersusa.com)

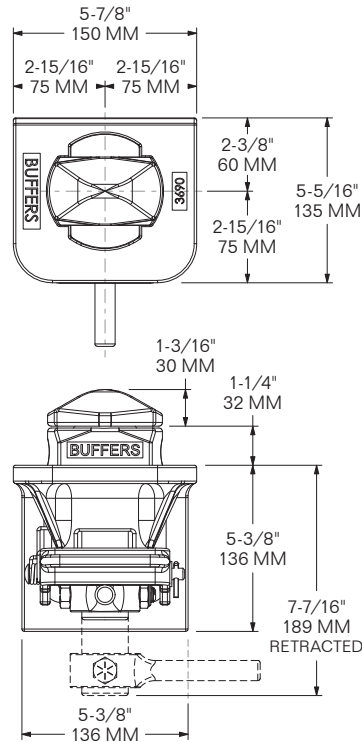
11/30/23



# TWISTLOCKS - CHASSIS TYPE

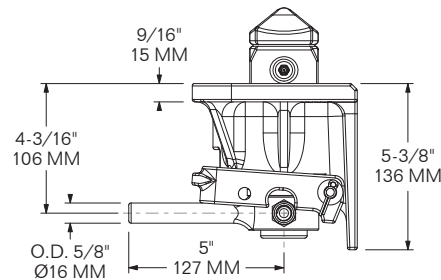
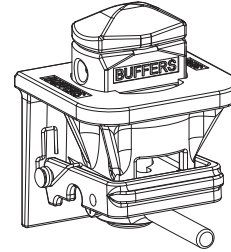
RETRACTABLE & NON-RETRACTABLE  
STRAIGHT HANDLE, LONG BACK PLATE

CHASSIS

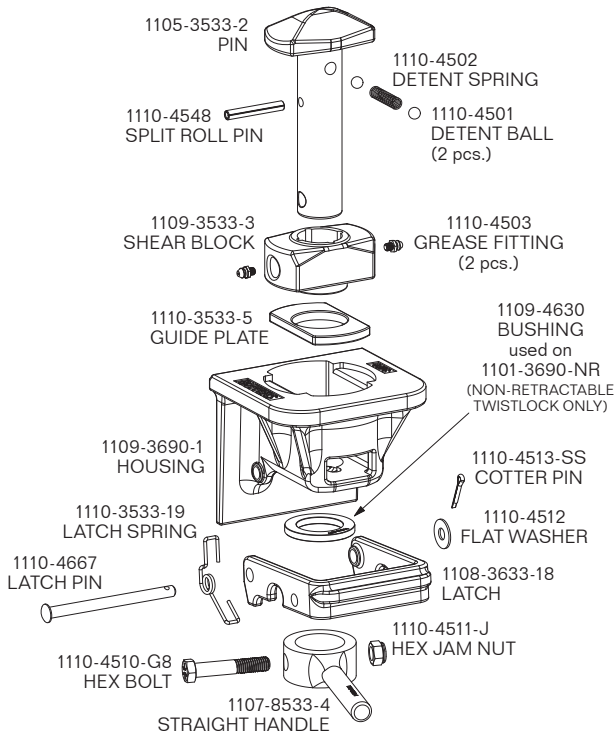


**MODEL 1101-3690-R**  
**MODEL 1101-3690-NR**

w/ **Straight Handle**  
& long backplate



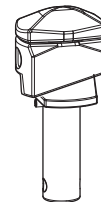
### EXPLODED VIEW



**OVERSIZED BACK PLATE:** Same as 1101-3633 Twistlock except length & width of Back Plate.

**FINISH:** WELDABLE PRIMER  
**3690-NR WEIGHT:** 19.64 LBS / 8.91 Kg

- Non-handed design; locks to either left or right
- Oversized Back Plate for larger Bolster
- Cast steel Housing and forged steel Pin
- Easy conversion from Retractable to Non-Retractable w/ 1109-4630 Bushing
- Heavy-duty Housing for End-of-Bolster use
- Stainless steel Latch Spring to eliminate bounce
- Dual Grease Fittings



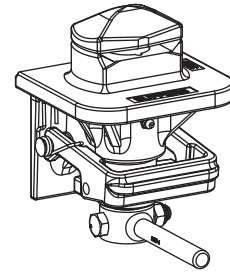
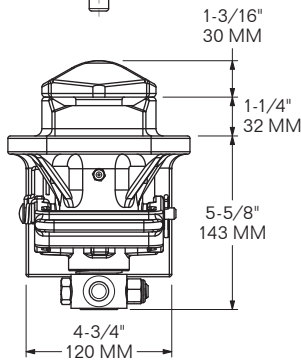
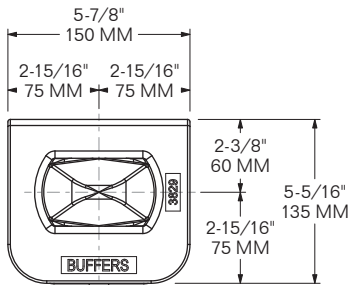
**1105-3533-INNER** contains:  
1105-3533-2 Pin  
1110-4501 Detent Ball (2 pcs.)  
1110-4502 Detent Spring  
1110-4548 Split Roll Pin  
1109-3533-3 Shear Block  
1110-4503 Grease Fitting (2 pcs.)  
1110-3533-5 Guide Plate

**MODEL 1101-3829-NRS**

**SPECIAL ORDER ONLY**

**MODEL 1101-3829-NRS-HDG**

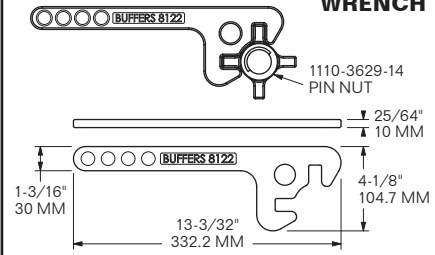
for Oshkosh-made equipment



**FINISH:** WELDABLE PRIMER or HDG  
**3829-NRS WEIGHT:** 20.9 LBS / 9.5 Kg  
**3829-NRS-HDG WEIGHT:** 19.9 LBS / 9 Kg

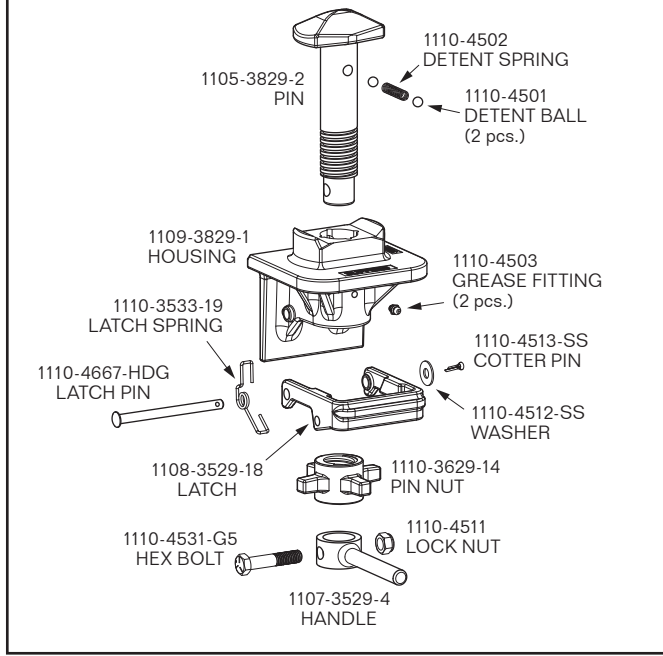
**MODEL 1111-8122**

**WRENCH**



**WORKS WITH:** BUFFERS 1101-3629, 1101-3729 & 1101-3829 TWISTLOCKS  
**MATERIAL:** CAST STEEL  
**FINISH:** HOT-DIP GALVANIZED (HDG)  
**WEIGHT:** 2.12 LBS / 0.96 Kg

**EXPLODED VIEW**



- Non-handed design; locks to either left or right
- Cast steel Housing and forged steel Pin
- Screwdown Nut with Latch for tighter securing
- Stainless steel Latch Spring to eliminate bounce

**1105-3829-INNER** contains:  
 1105-3829-2 Pin  
 1110-3629-14 Pin Nut  
 1107-3529-4 Handle  
 1110-4531-G5 Hex Bolt  
 1110-4511 Hex Lock Nut

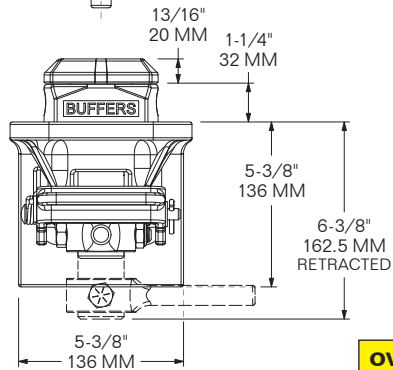
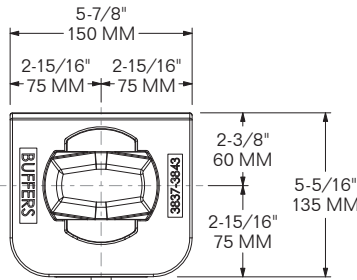
**NOTE: THE FOLLOWING PARTS ARE NOT INCLUDED IN 1105-3829-INNER:**  
 1110-4501 Detent Ball (2 pcs.)  
 1110-4502 Detent Spring



# TWISTLOCKS - CHASSIS TYPE

RETRACTABLE & NON-RETRACTABLE, SHORT  
RETRACTED LENGTH, STRAIGHT or BENT HANDLE

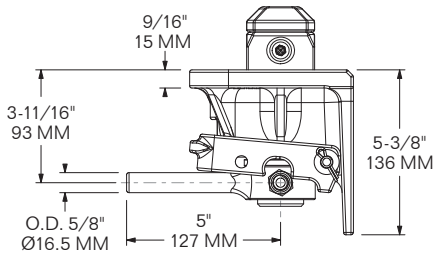
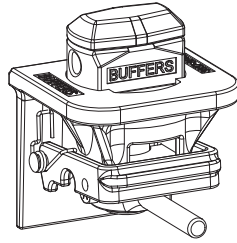
CHASSIS



## MODEL 1101-3837-R

## MODEL 1101-3837-NR

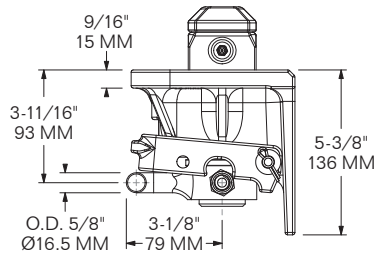
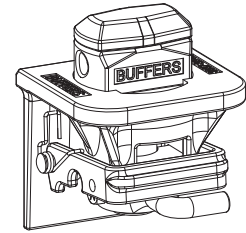
w/ Straight Handle & long Back Plate



## MODEL 1101-3843-R

## MODEL 1101-3843-NR

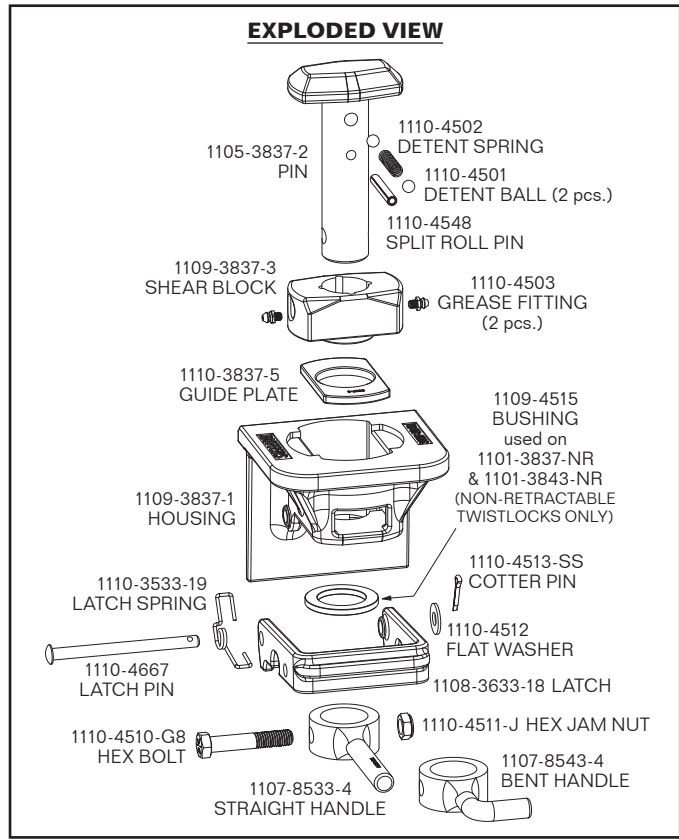
w/ L-Handle & long Back Plate



**OVERSIZED BACK PLATE**

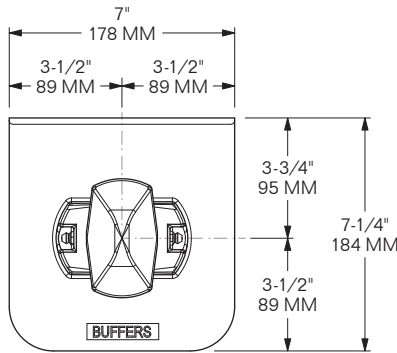
**FINISH: WELDABLE PRIMER**  
**3837-NR WEIGHT: 19.33 LBS / 8.77 Kg**  
**3843-NR WEIGHT: 19.27 LBS / 8.74 Kg**

- Non-handed design; locks to either left or right
- Cast steel Housing & forged steel Pin
- Easy conversion from Retractable to Non-Retractable w/ 1109-4515 Bushing
- Only 6-3/8" below deck in retracted position for extra tire clearance where needed
- Oversized Back Plate for larger Bolster
- Dual Grease Fittings

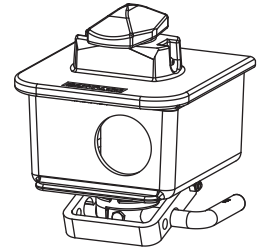
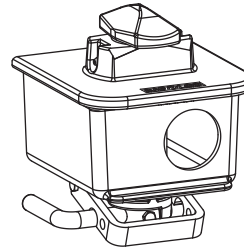


- #### 1105-3837-INNER contains:
- 1105-3837-2 Pin
  - 1110-4501 Detent Ball (2 pcs.)
  - 1110-4502 Detent Spring
  - 1110-4548 Split Roll Pin (perpendicular to Pin Head)
  - 1109-3837-3 Shear Block
  - 1110-4503 Grease Fitting (2 pcs.)
  - 1110-3837-5 Guide Plate

- #### 1105-3637-INNER-H\* contains:
- 1105-3637-2-H Pin
  - 1110-4501 Detent Ball (2 pcs.)
  - 1110-4502 Detent Spring
  - 1110-4548 Split Roll Pin (longitudinal to Pin Head)
  - 1109-3637-3-H Shear Block
  - 1110-4503 Grease Fitting (2 pcs.)
  - 1110-3637-5-H Guide Plate
- \*ONLY FITS DISCONTINUED MODELS**  
**1101-3137-R/-NR, 1101-3637-R/-NR & 1101-3643-R/-NR**

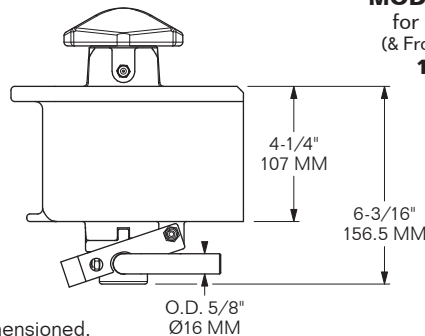
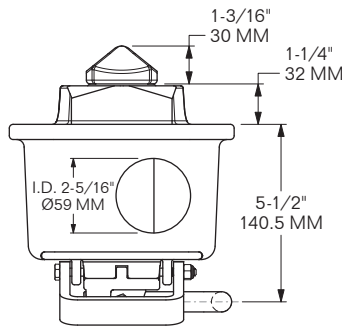


**MODEL 1101-1131-L**  
**MODEL 1101-1131-R**



**MODEL 1101-1131-L**  
for Rear Roadside  
( & Front Curbside if 20' )  
**1 Light Hole**

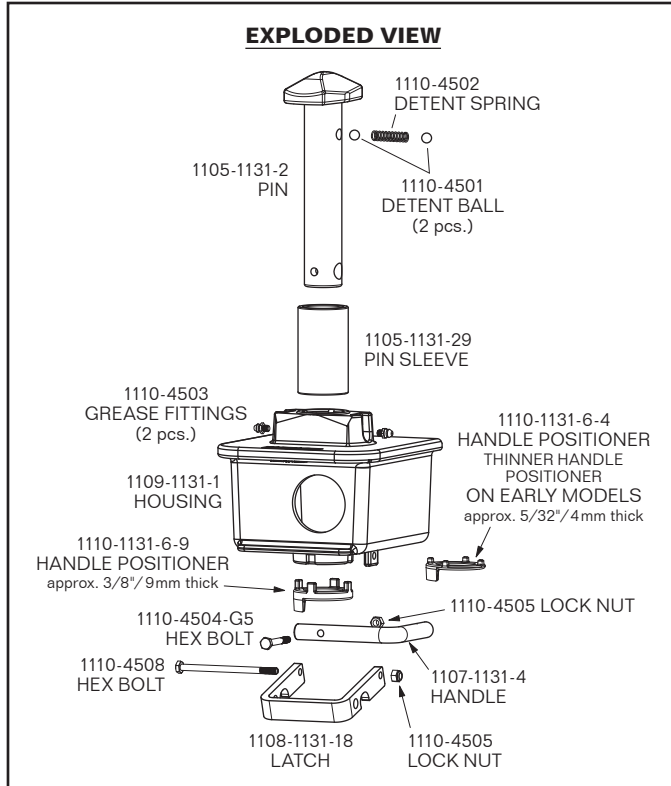
**MODEL 1101-1131-R**  
for Rear Curbside  
( & Front Roadside if 20' )  
**1 Light Hole**



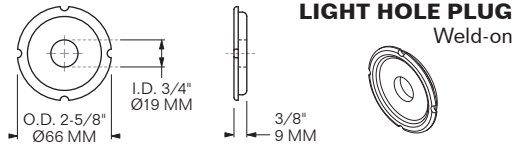
**FINISH: WELDABLE PRIMER**  
**WEIGHT: 22.9 LBS / 10.4 Kg**

MODEL 1101-1131-L is shown dimensioned.  
MODEL 1101-1131-R is the mirror opposite.

- Cast steel Housing & forged steel Pin
- Meets AAR specifications for Rail use
- Dual Grease Fittings
- Ledge extended to protect Light

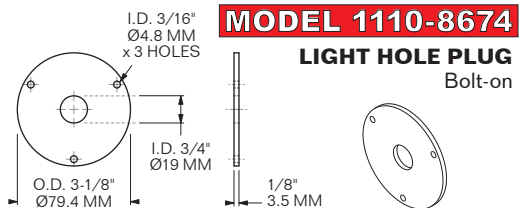


**MODEL 1110-8400**  
**LIGHT HOLE PLUG**  
Weld-on

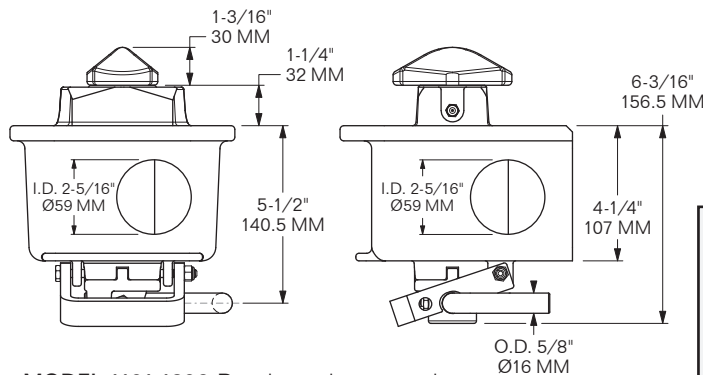
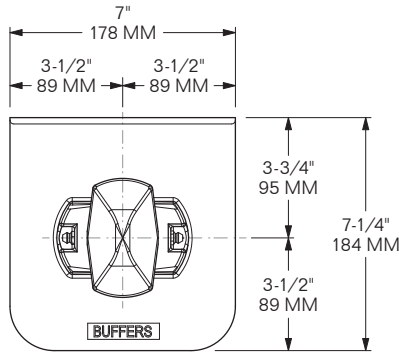


**CONVERTS Ø2-5/16" LIGHT HOLE TO Ø3/4"**  
**MATERIAL: CAST STEEL FINISH: WELDABLE PRIMER**  
**WEIGHT: 0.3 LBS / 0.136 Kg**

**MODEL 1110-8674**  
**LIGHT HOLE PLUG**  
Bolt-on

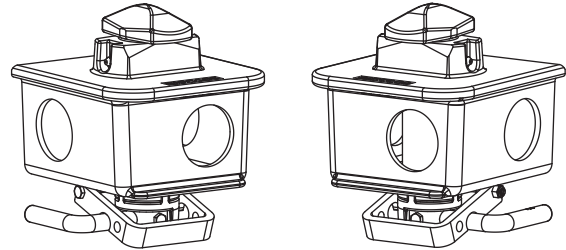


**CONVERTS Ø2-5/16" LIGHT HOLE TO Ø3/4"**  
**MATERIAL: STEEL FINISH: WELDABLE PRIMER**  
**WEIGHT: 0.28 LBS / 0.127 Kg**



MODEL 1101-1206-R is shown dimensioned.  
MODEL 1101-1206-L is the mirror opposite (except for housing).

**MODEL 1101-1206-L**  
**MODEL 1101-1206-R**



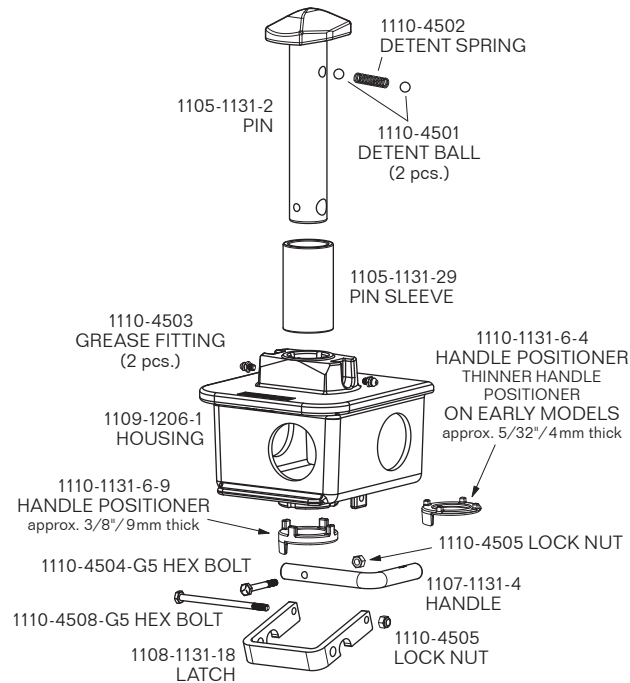
**MODEL 1101-1206-L**  
for Rear Roadside  
(& Front Curbside if 20')  
**3 Light Holes**

**MODEL 1101-1206-R**  
for Rear Curbside  
(& Front Roadside if 20')  
**3 Light Holes**

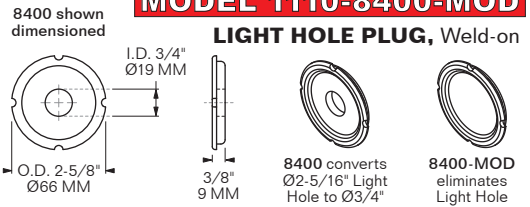
**FINISH: WELDABLE PRIMER**  
**WEIGHT: 21.6 LBS / 10.2 Kg**

- Cast steel Housing & forged steel Pin
- Meets AAR specifications for Rail use
- Easily changed from left-hand to right-hand with no extra parts
- 3 Light Holes in Housings for added flexibility
- Unused Light Holes can be blanked off with Plugs shown below, or others shown on pg. 1110-5
- Dual Grease Fittings
- Ledges extended to protect Lights

**EXPLODED VIEW**

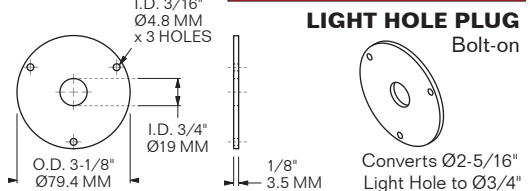


**MODEL 1110-8400**  
**MODEL 1110-8400-MOD**



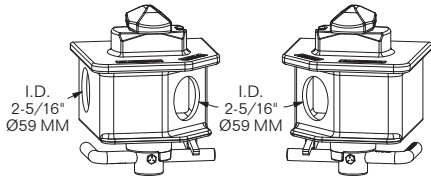
**MATERIAL: CAST STEEL FINISH: WELDABLE PRIMER**  
**8400 WEIGHT: 0.3 LBS / 0.136 Kg**  
**8400-MOD WEIGHT: 0.33 LBS / 0.15 Kg**

**MODEL 1110-8674**



**MATERIAL: STEEL FINISH: WELDABLE PRIMER**  
**WEIGHT: 0.28 LBS / 0.127 Kg**

**MODEL 1101-1207-L**  
**MODEL 1101-1207-R**

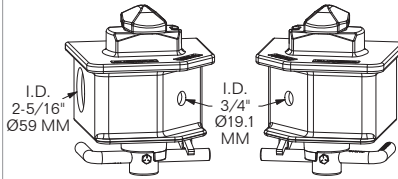


**1101-1207-L**  
for Rear Roadside  
(& Front Curbside if 20')  
**2 Light Holes**

**1101-1207-R**  
for Rear Curbside  
(& Front Roadside if 20')  
**1 Light Hole**

**FINISH:** WELDABLE PRIMER  
**WEIGHT:** 22.3 LBS / 10.1 Kg

**MODEL 1101-1207-75-L**  
**MODEL 1101-1207-75-R**

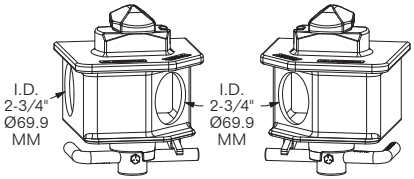


**1101-1207-75-L**  
for Rear Roadside  
(& Front Curbside if 20')  
**2 Light Holes**

**1101-1207-75-R**  
for Rear Curbside  
(& Front Roadside if 20')  
**1 Light Hole**

**FINISH:** WELDABLE PRIMER  
**WEIGHT:** 22.5 LBS / 10.2 Kg

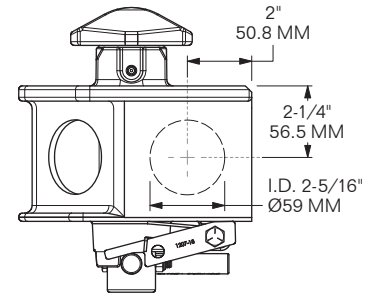
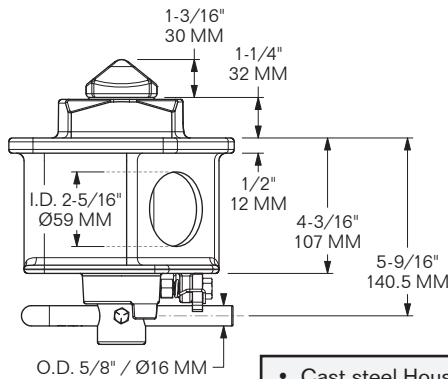
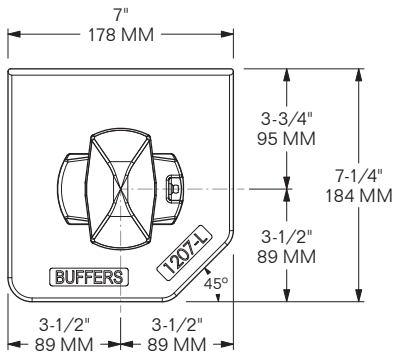
**MODEL 1101-1207-275-L**  
**MODEL 1101-1207-275-R**



**1101-1207-275-L**  
for Rear Roadside  
(& Front Curbside if 20')  
**2 Light Holes**

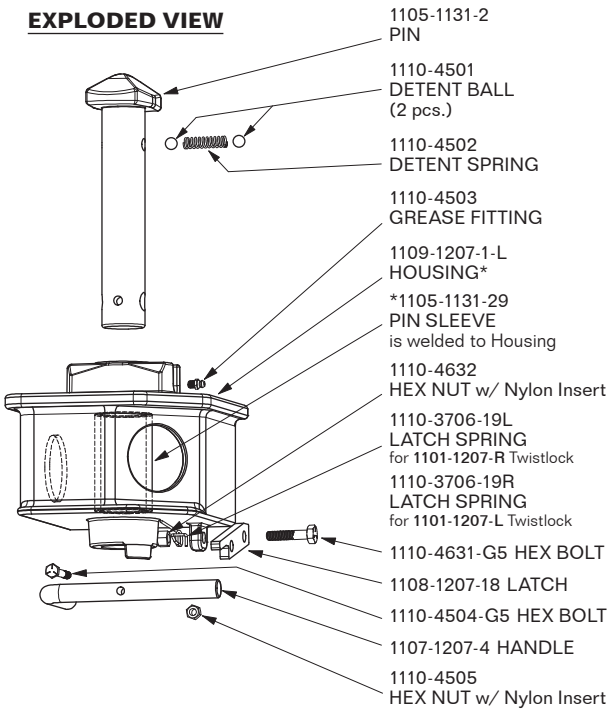
**1101-1207-275-R**  
for Rear Curbside  
(& Front Roadside if 20')  
**1 Light Hole**

**FINISH:** WELDABLE PRIMER  
**WEIGHT:** 22 LBS / 10 Kg



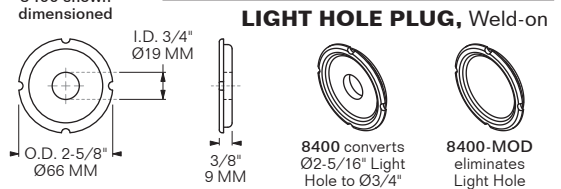
MODEL 1101-1207-L is shown dimensioned.  
MODEL 1101-1207-R is the mirror opposite (w/ only one light hole).

**EXPLODED VIEW**



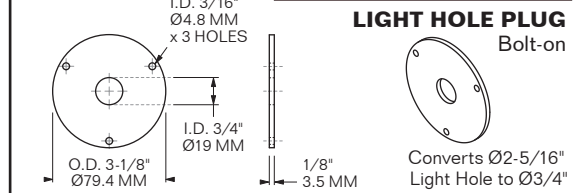
- Cast steel Housing & forged steel Pin
- Meets AAR specifications for Rail use
- Easy-to-operate Gravity Latch
- Angled corner for Side & Rear Light visibility
- Unused Light Holes can be blanked off with Plugs shown below, or others shown on pg. 1110-5

**MODEL 1110-8400**  
**MODEL 1110-8400-MOD**

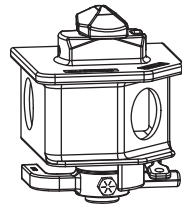
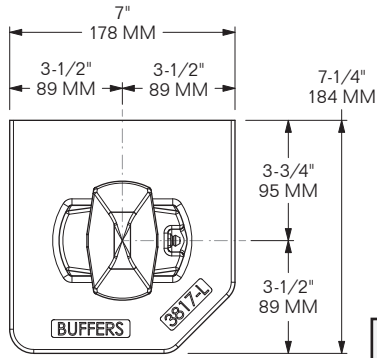


**MATERIAL:** CAST STEEL **FINISH:** WELDABLE PRIMER  
**8400 WEIGHT:** 0.3 LBS / 0.136 Kg  
**8400-MOD WEIGHT:** 0.33 LBS / 0.15 Kg

**MODEL 1110-8674**

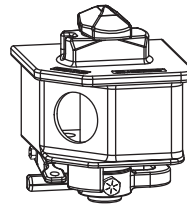


**MATERIAL:** STEEL **FINISH:** WELDABLE PRIMER  
**WEIGHT:** 0.28 LBS / 0.127 Kg



**MODEL 1101-3817-L**  
for Rear Roadside  
(& Front Curbside if 20')  
**2 Light Holes**

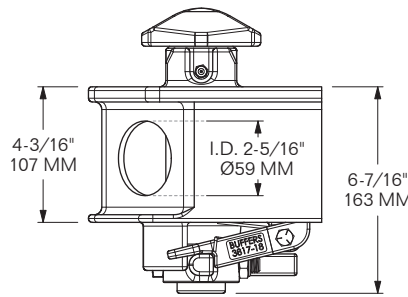
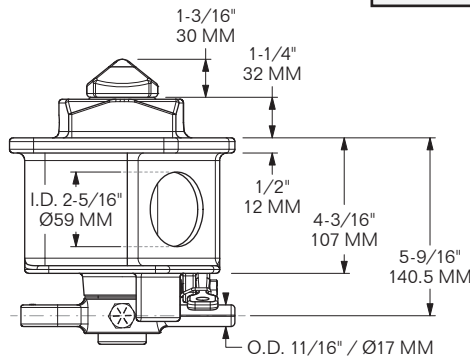
**FINISH: PRIMER**  
**WEIGHT: 24.7 LBS / 11.2 Kg**



**MODEL 1101-3817-R**  
for Rear Curbside  
(& Front Roadside if 20')  
**1 Light Hole**

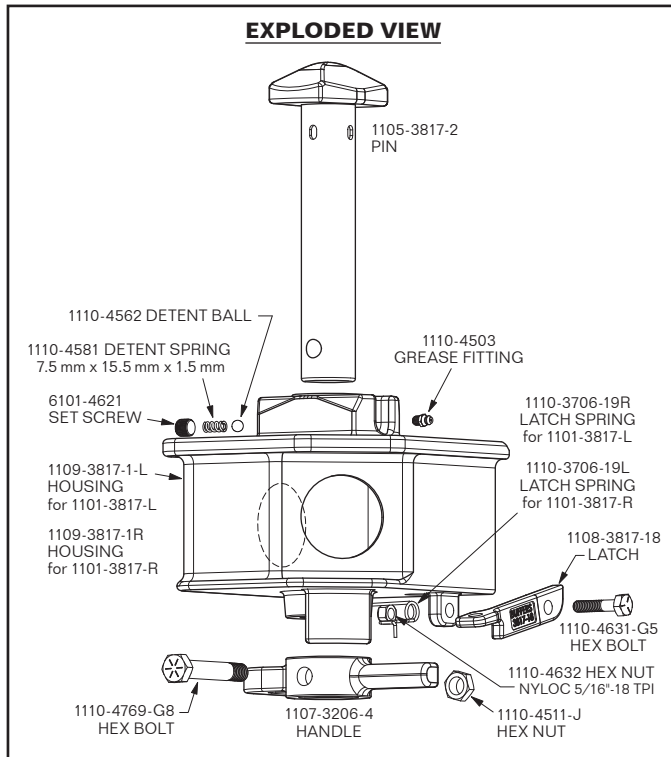
**FINISH: PRIMER**  
**WEIGHT: 25.1 LBS / 11.4 Kg**

**MODEL 1101-3817-L**  
**MODEL 1101-3817-R**

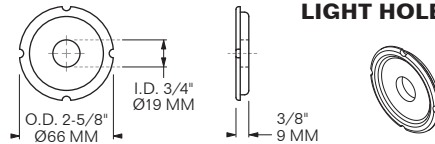


MODEL 1101-3817-L is shown dimensioned.  
MODEL 1101-3817-R is the mirror opposite (w/ only one light hole).

- Cast steel Housing & forged steel Pin
- Meets AAR specifications for Rail use
- Easy-to-operate Gravity Latch
- Angled corner for Side & Rear Light visibility

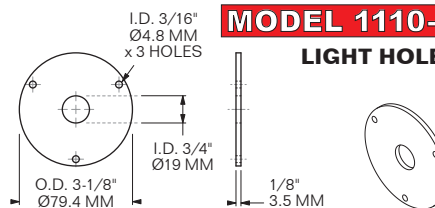


**MODEL 1110-8400**  
**LIGHT HOLE PLUG**  
Weld-on

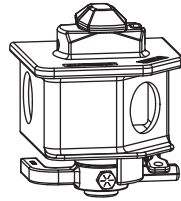
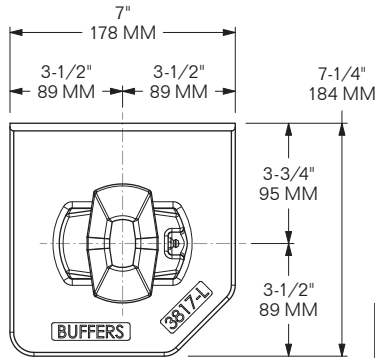


**CONVERTS Ø2-5/16" LIGHT HOLE TO Ø3/4"**  
**MATERIAL: CAST STEEL FINISH: WELDABLE PRIMER**  
**WEIGHT: 0.3 LBS / 0.136 Kg**

**MODEL 1110-8674**  
**LIGHT HOLE PLUG**  
Bolt-on

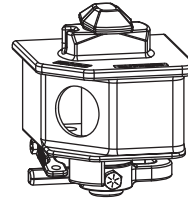


**CONVERTS Ø2-5/16" LIGHT HOLE TO Ø3/4"**  
**MATERIAL: STEEL FINISH: WELDABLE PRIMER**  
**WEIGHT: 0.28 LBS / 0.127 Kg**



**MODEL 1101-3817-LP-L**  
for Rear Roadside  
(& Front Curbside if 20')  
**2 Light Holes**

**FINISH: PRIMER**  
**WEIGHT: 24.3 LBS / 11 Kg**

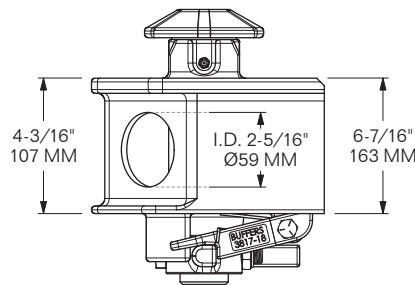
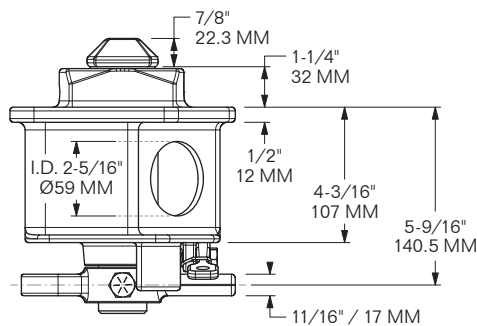


**MODEL 1101-3817-LP-R**  
for Rear Curbside  
(& Front Roadside if 20')  
**1 Light Hole**

**FINISH: PRIMER**  
**WEIGHT: 24.7 LBS / 11.2 Kg**

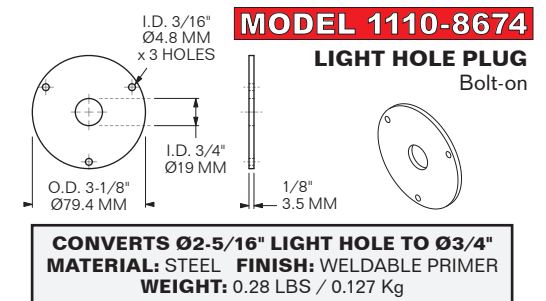
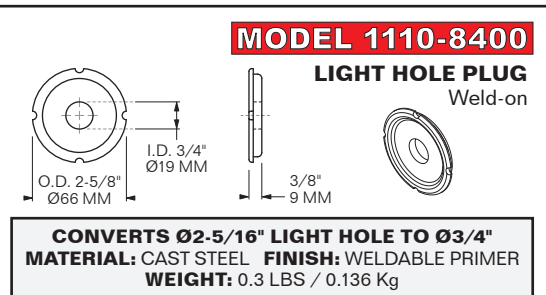
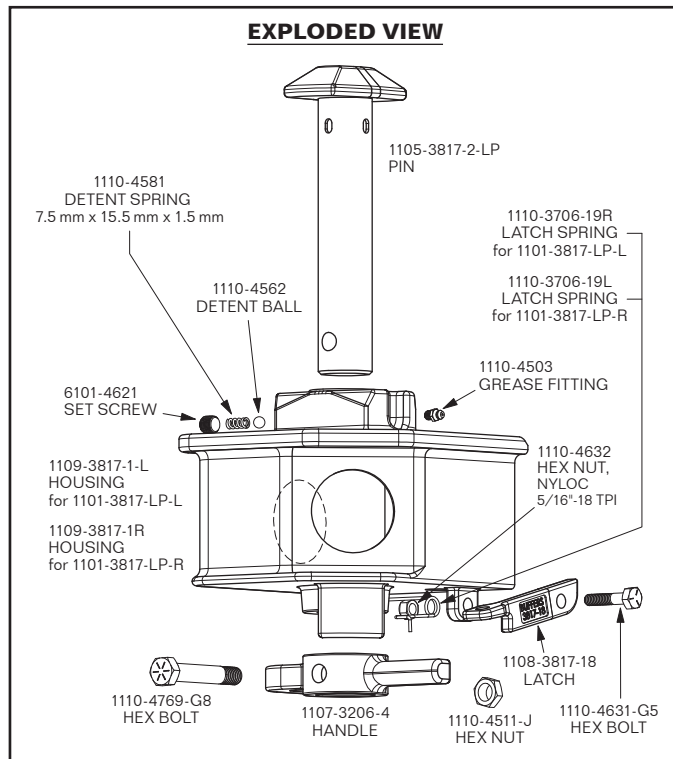
**MODEL 1101-3817-LP-L**  
**MODEL 1101-3817-LP-R**  
w/ **Low-profile Head**

1101-3817-LP-L/R Twistlocks are the same as 1101-3817-L/R Twistlocks except Pin Design.



MODEL 1101-3817-LP-L is shown dimensioned.  
MODEL 1101-3817-LP-R is the mirror opposite (w/ only one light hole).

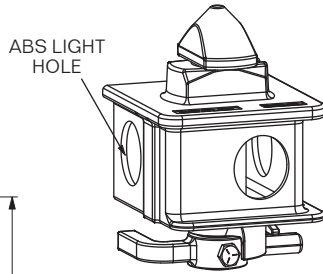
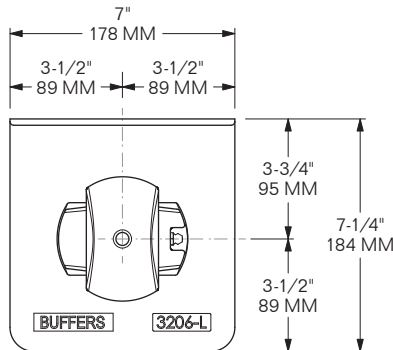
- Low-profile Pin Head works w/ low-clearance corner fittings on ALL 53' containers in U.S. & Canadian markets
- Cast steel Housing & forged steel Pin
- Meets AAR specifications for Rail use
- Easy-to-operate Gravity Latch
- Angled corner for Side & Rear Light visibility





# TWISTLOCKS - CHASSIS TYPE

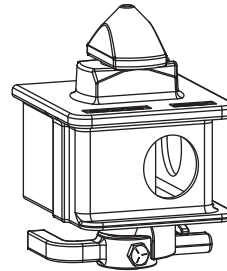
NON-RETRACTABLE w/ LIGHT HOLES,  
HEAVY DUTY  
CHASSIS



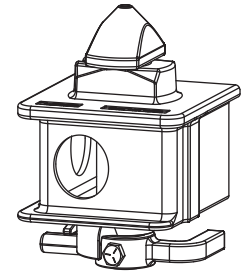
**MODEL 1101-3206-ABS-L**  
for Rear Roadside  
(& Front Curbside if 20')  
**3 Light Holes**

**FINISH: WELDABLE PRIMER**  
**WEIGHT: 26.2 LBS / 11.88 Kg**

**MODEL 1101-3206-ABS-L**  
**MODEL 1101-3206-L**  
**MODEL 1101-3206-R**

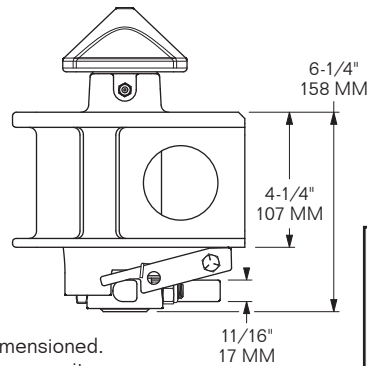
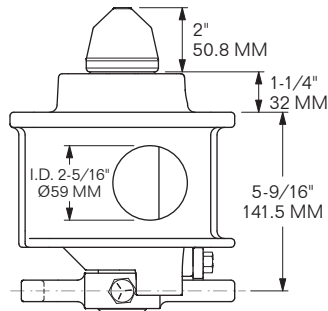


**MODEL 1101-3206-L**  
for Rear Roadside  
(& Front Curbside if 20')  
**2 Light Holes**



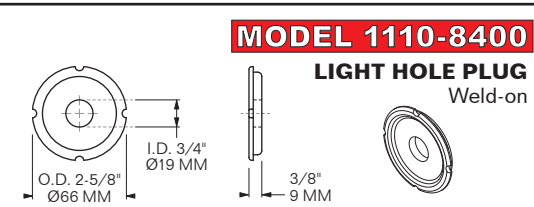
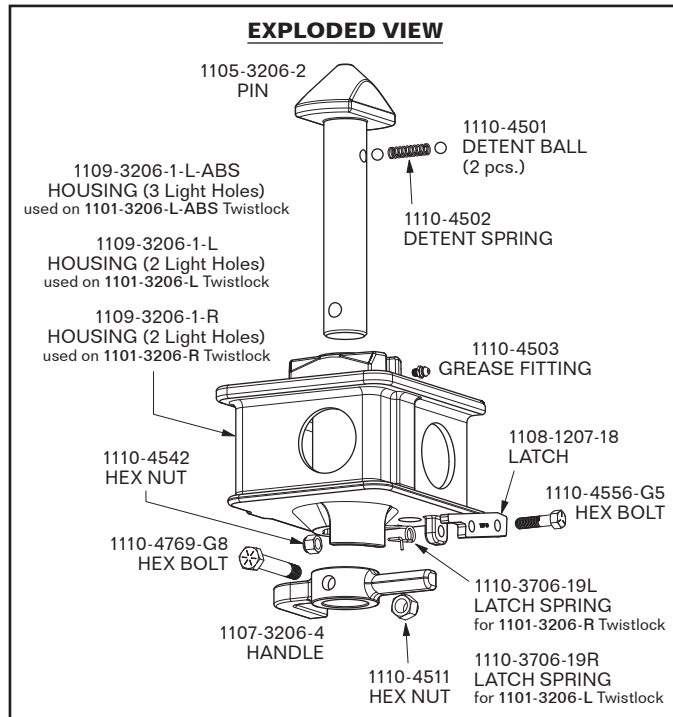
**MODEL 1101-3206-R**  
for Rear Curbside  
(& Front Roadside if 20')  
**2 Light Holes**

**FINISH: WELDABLE PRIMER**  
**WEIGHT: 26.6 LBS / 12.07 Kg**

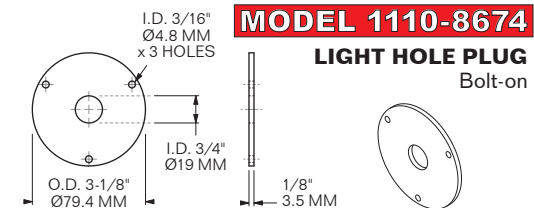


MODEL 1101-3206-L is shown dimensioned.  
MODEL 1101-3206-R is the mirror opposite.

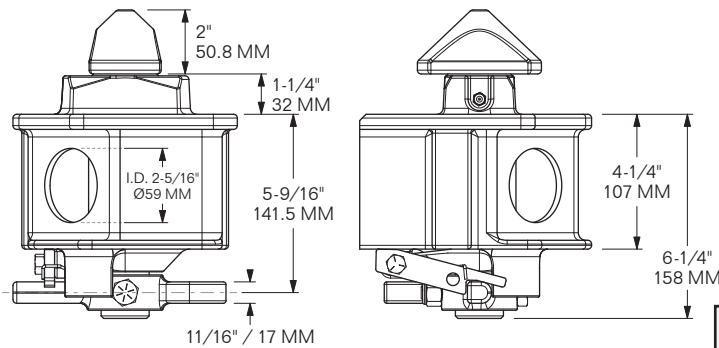
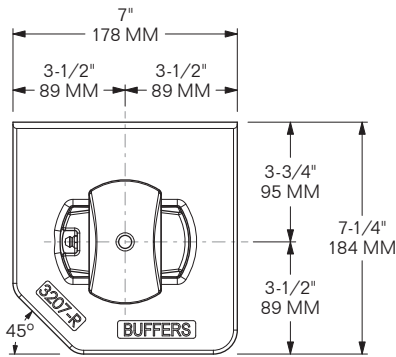
- Heavy-duty cast steel Housing & forged steel Pin
- Meets AAR specifications for Rail use
- Easy-to-operate Gravity Latch
- Unused Light Holes can be blanked off with 1110-1209 Rubber Hole Plug
- Ledges extended to protect Lights



**CONVERTS Ø2-5/16" LIGHT HOLE TO Ø3/4"**  
**MATERIAL: CAST STEEL FINISH: WELDABLE PRIMER**  
**WEIGHT: 0.3 LBS / 0.136 Kg**



**CONVERTS Ø2-5/16" LIGHT HOLE TO Ø3/4"**  
**MATERIAL: STEEL FINISH: WELDABLE PRIMER**  
**WEIGHT: 0.28 LBS / 0.127 Kg**

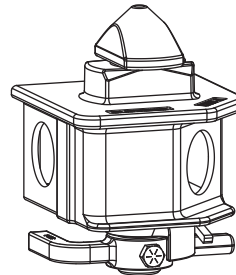


MODEL 1101-3207-R is shown dimensioned.  
 MODEL 1101-3207-L is the mirror opposite (w/ two light holes).

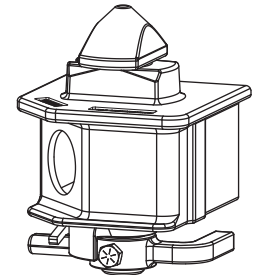
**MODEL 1101-3207-L**

**MODEL 1101-3207-R**

w/ High-profile Pin



**MODEL 1101-3207-L**  
 for Rear Roadside  
 (& Front Curbside if 20')  
**2 Light Holes**

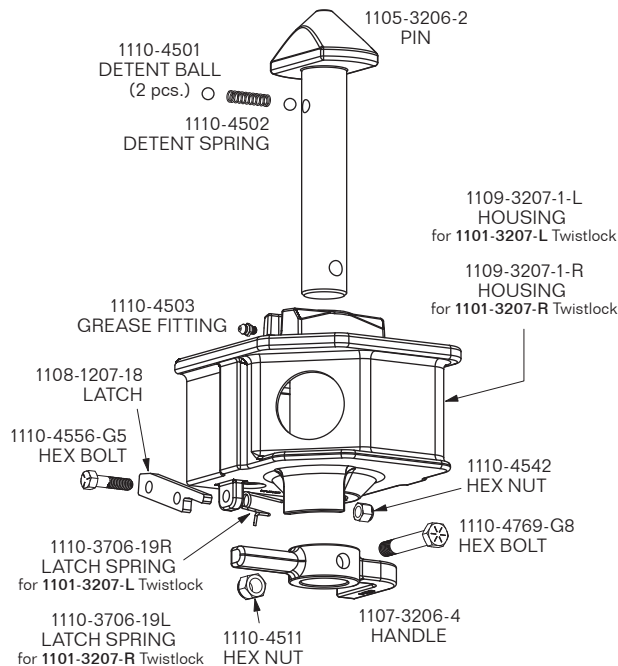


**MODEL 1101-3207-R**  
 for Rear Curbside  
 (& Front Roadside if 20')  
**1 Light Hole**

**FINISH:** WELDABLE PRIMER  
**WEIGHT:** 27.8 LBS / 12.6 Kg

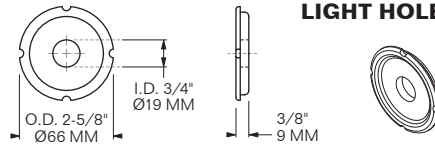
- Heavy-duty cast steel Housing & forged steel Pin
- Meets AAR specifications for Rail use
- Easy-to-operate Gravity Latch
- Unused Light Holes can be blanked off with 1110-1209 Rubber Hole Plug
- Angled corner for Side & Rear Light visibility

**EXPLODED VIEW**



**MODEL 1110-8400**

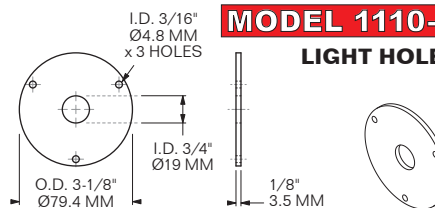
**LIGHT HOLE PLUG**  
 Weld-on



**CONVERTS Ø2-5/16" LIGHT HOLE TO Ø3/4"**  
**MATERIAL:** CAST STEEL **FINISH:** WELDABLE PRIMER  
**WEIGHT:** 0.3 LBS / 0.136 Kg

**MODEL 1110-8674**

**LIGHT HOLE PLUG**  
 Bolt-on



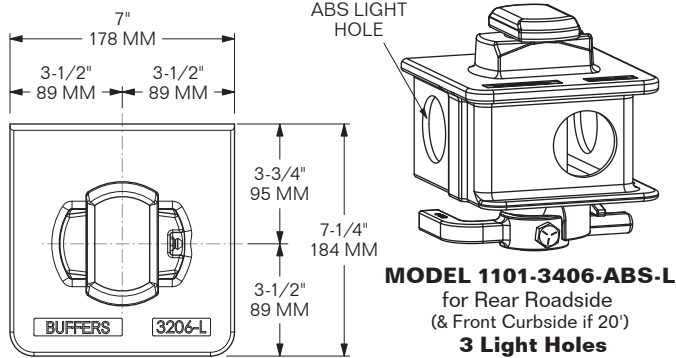
**CONVERTS Ø2-5/16" LIGHT HOLE TO Ø3/4"**  
**MATERIAL:** STEEL **FINISH:** WELDABLE PRIMER  
**WEIGHT:** 0.28 LBS / 0.127 Kg



# TWISTLOCKS - CHASSIS TYPE

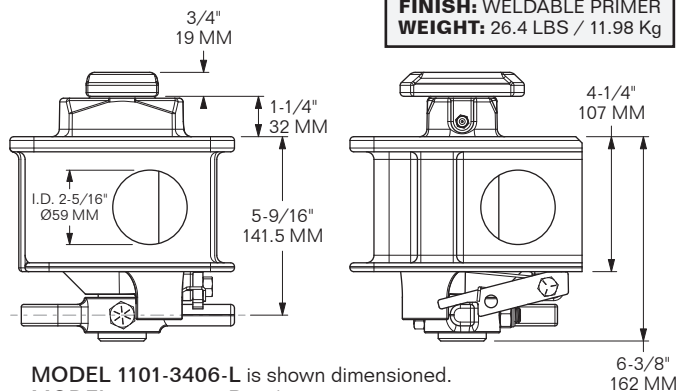
NON-RETRACTABLE w/ LIGHT HOLES  
HEAVY DUTY for SHALLOW CORNER CASTINGS

CHASSIS



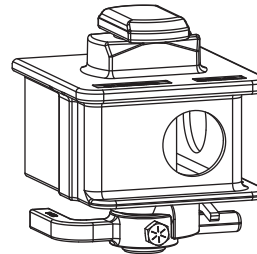
**MODEL 1101-3406-ABS-L**  
for Rear Roadside  
(& Front Curbside if 20')  
**3 Light Holes**

**FINISH: WELDABLE PRIMER**  
**WEIGHT: 26.4 LBS / 11.98 Kg**

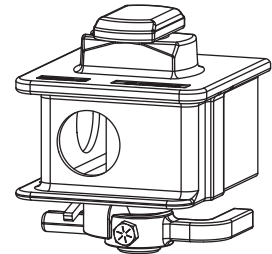


**MODEL 1101-3406-L** is shown dimensioned.  
**MODEL 1101-3406-R** is the mirror opposite.

**MODEL 1101-3406-ABS-L**  
**MODEL 1101-3406-L**  
**MODEL 1101-3406-R**



**MODEL 1101-3406-L**  
for Rear Roadside  
(& Front Curbside if 20')  
**2 Light Holes**

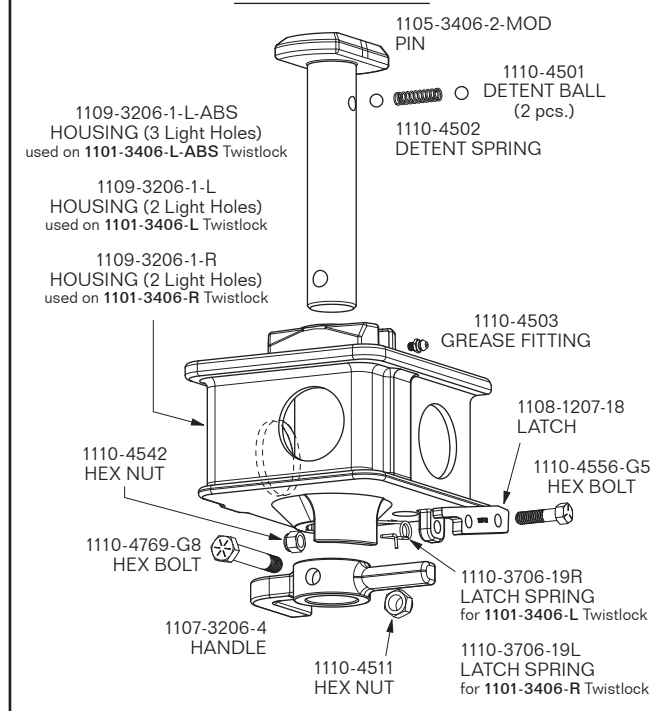


**MODEL 1101-3406-R**  
for Rear Curbside  
(& Front Roadside if 20')  
**2 Light Holes**

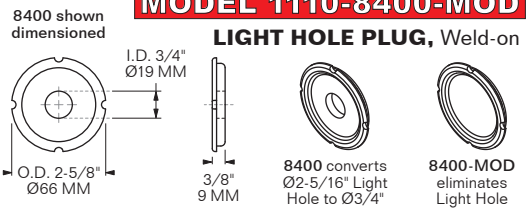
**FINISH: WELDABLE PRIMER**  
**WEIGHT: 26.8 LBS / 12.11 Kg**

- Heavy-duty cast steel Housing & forged steel Pin
- Meets AAR specifications for Rail use
- Easy-to-operate Gravity Latch
- Unused Light Holes can be blanked off with Plugs shown below, or others shown on pg. 1110-5
- Ledges extended to protect Lights
- Fits most shallow Corner Castings

### EXPLODED VIEW

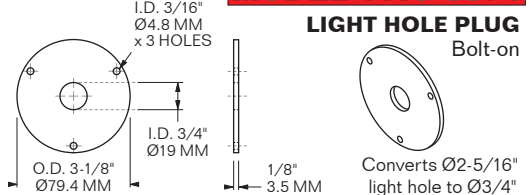


**MODEL 1110-8400**  
**MODEL 1110-8400-MOD**



**MATERIAL: CAST STEEL FINISH: WELDABLE PRIMER**  
**8400 WEIGHT: 0.3 LBS / 0.136 Kg**  
**8400-MOD WEIGHT: 0.33 LBS / 0.15 Kg**

**MODEL 1110-8674**



**MATERIAL: STEEL FINISH: WELDABLE PRIMER**  
**WEIGHT: 0.28 LBS / 0.127 Kg**

**BUFFERS USA INC**

"The Intermodal Hardware Specialists"

**1101-26**



**904-696-0010**

E-mail: [sales@buffersusa.com](mailto:sales@buffersusa.com)

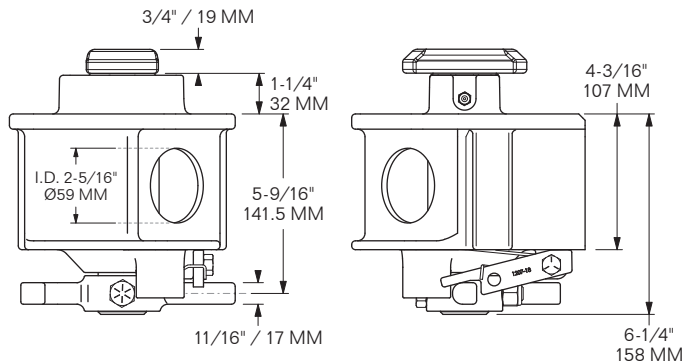
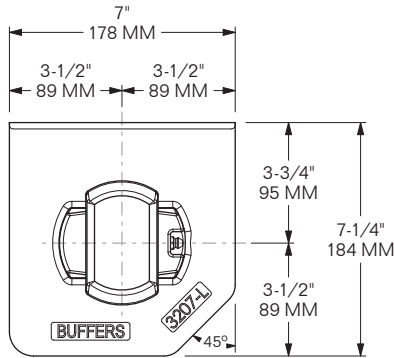


# TWISTLOCKS - CHASSIS TYPE

NON-RETRACTABLE w/ LIGHT HOLES

HEAVY DUTY for SHALLOW CORNER CASTINGS

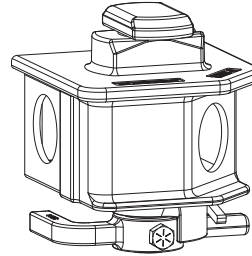
CHASSIS



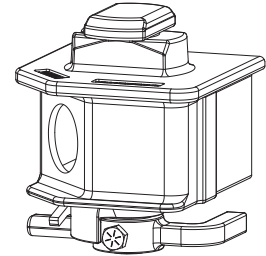
MODEL 1101-3407-L is shown dimensioned.  
MODEL 1101-3407-R is the mirror opposite (w/ only one light hole).

**MODEL 1101-3407-L**

**MODEL 1101-3407-R**



**MODEL 1101-3407-L**  
for Rear Roadside  
(& Front Curbside if 20')  
**2 Light Holes**

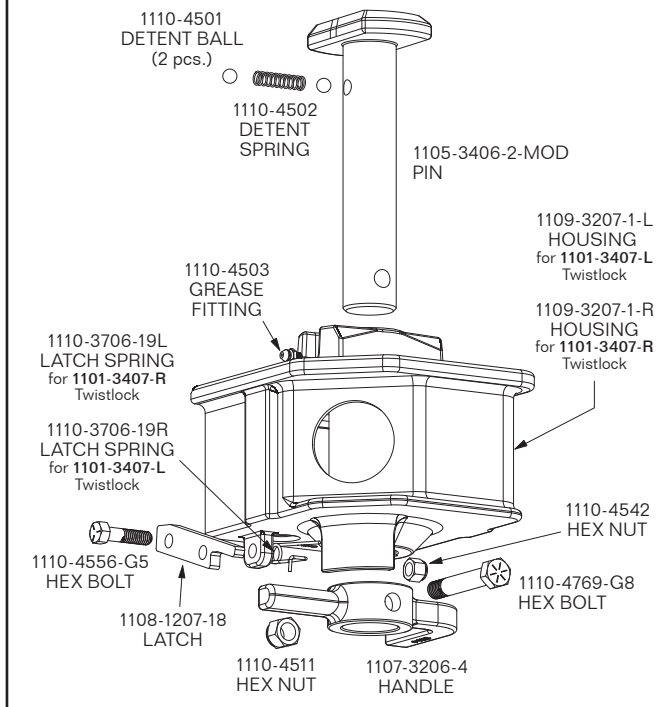


**MODEL 1101-3407-R**  
for Rear Curbside  
(& Front Roadside if 20')  
**1 Light Hole**

**FINISH: WELDABLE PRIMER**  
**WEIGHT: 26.8 LBS / 12.2 Kg**

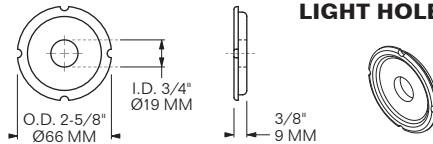
- Heavy-duty cast steel Housing & forged steel Pin
- Meets AAR specifications for Rail use
- Easy-to-operate Gravity Latch
- Unused Light Holes can be blanked off with 1110-1209 Rubber Hole Plug
- Ledges extended to protect Lights
- Fits most shallow Corner Castings
- Angled corner for Side & Rear Light visibility

### EXPLODED VIEW



### MODEL 1110-8400

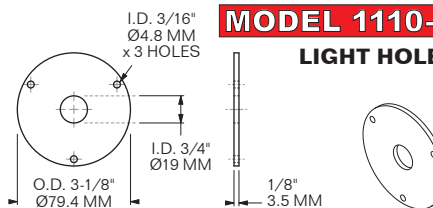
**LIGHT HOLE PLUG**  
Weld-on



**CONVERTS Ø2-5/16" LIGHT HOLE TO Ø3/4"**  
**MATERIAL: CAST STEEL FINISH: WELDABLE PRIMER**  
**WEIGHT: 0.3 LBS / 0.136 Kg**

### MODEL 1110-8674

**LIGHT HOLE PLUG**  
Bolt-on



**CONVERTS Ø2-5/16" LIGHT HOLE TO Ø3/4"**  
**MATERIAL: STEEL FINISH: WELDABLE PRIMER**  
**WEIGHT: 0.28 LBS / 0.127 Kg**

**BUFFERS USA INC**

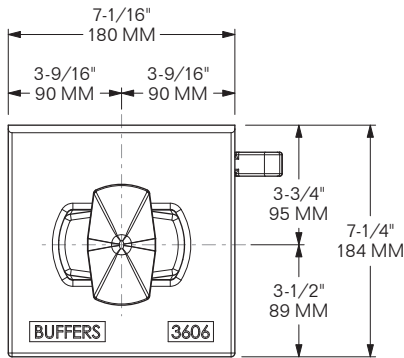
"The Intermodal Hardware Specialists"

**1101-27**

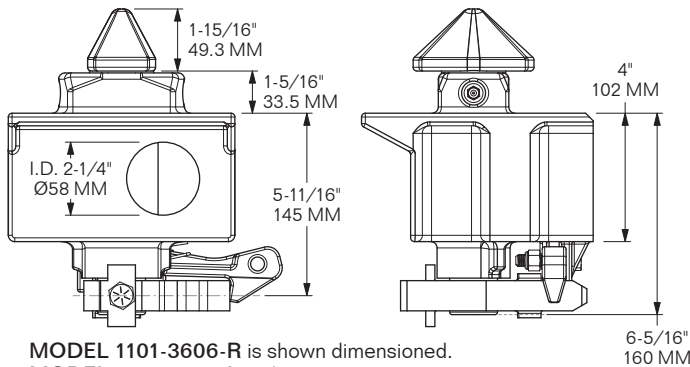


**904-696-0010**

E-mail: [sales@buffersusa.com](mailto:sales@buffersusa.com)



**1101-3606 is the same as 1101-3606-LP except Pin Design.**

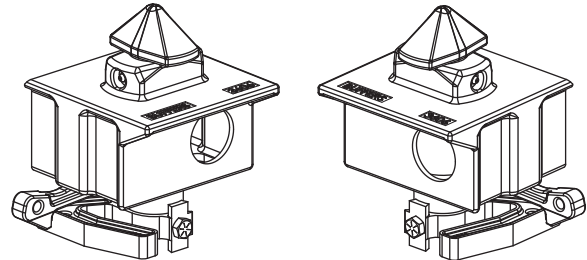


MODEL 1101-3606-R is shown dimensioned.  
MODEL 1101-3606-L is the mirror opposite.

**SPECIAL ORDER ONLY MODEL 1101-3606-L**

**SPECIAL ORDER ONLY MODEL 1101-3606-R**

w/ High-profile Head



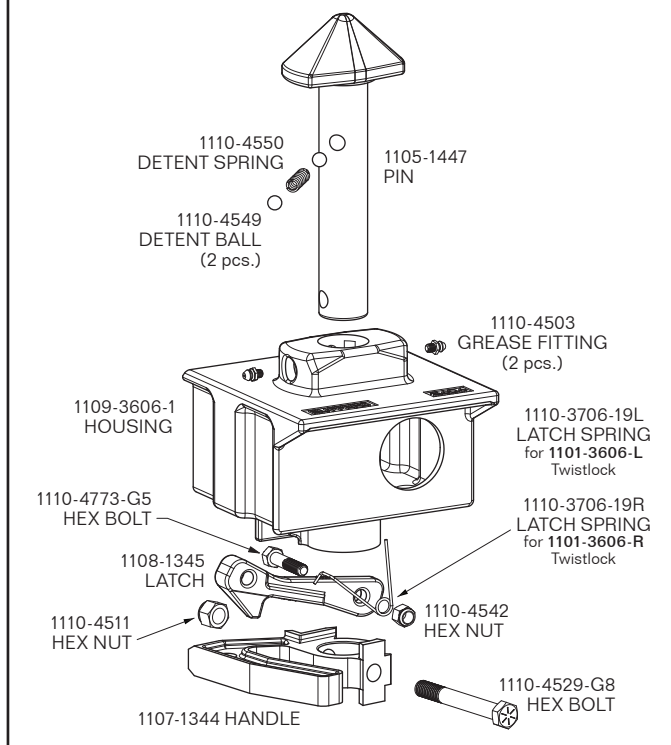
**MODEL 1101-3606-L**  
for Rear Roadside  
(& Front Curbside if 20')  
**1 Light Hole**

**MODEL 1101-3606-R**  
for Rear Curbside  
(& Front Roadside if 20')  
**1 Light Hole**

**SUB FOR: SCHULZ F33NS-XX**  
**FINISH: WELDABLE PRIMER**  
**WEIGHT: 28.3 LBS / 12.8 Kg**

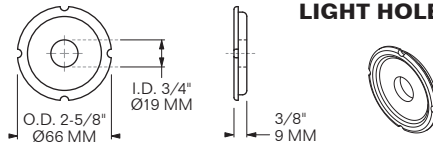
- Heavy-duty cast steel Housing & forged steel Pin
- Meets AAR specifications for Rail use
- Easy-to-operate Gravity Latch
- Unused Light Holes can be blanked off with 1110-1209 Rubber Hole Plug
- Ledges extended to protect Light

**EXPLODED VIEW**



**MODEL 1110-8400**

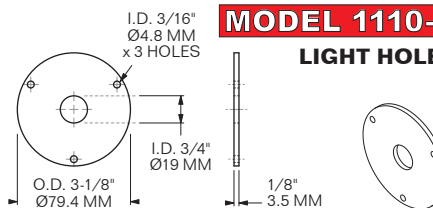
**LIGHT HOLE PLUG**  
Weld-on



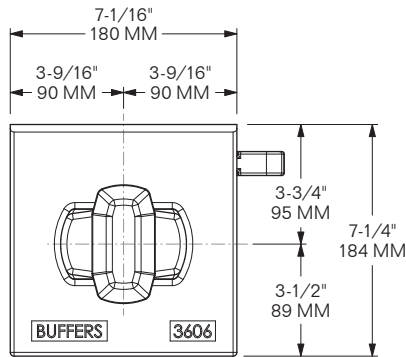
**CONVERTS Ø2-5/16\" LIGHT HOLE TO Ø3/4\"**  
**MATERIAL: CAST STEEL FINISH: WELDABLE PRIMER**  
**WEIGHT: 0.3 LBS / 0.136 Kg**

**MODEL 1110-8674**

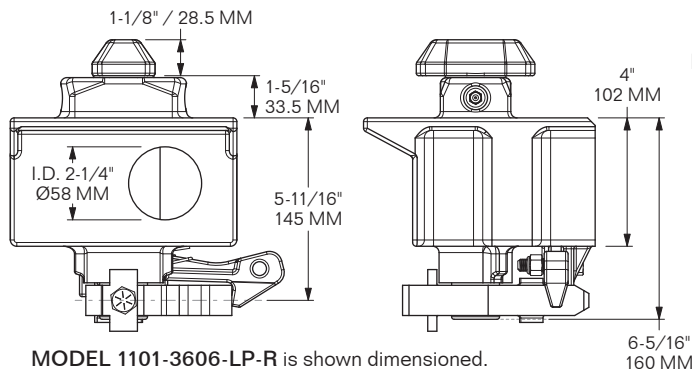
**LIGHT HOLE PLUG**  
Bolt-on



**CONVERTS Ø2-5/16\" LIGHT HOLE TO Ø3/4\"**  
**MATERIAL: STEEL FINISH: WELDABLE PRIMER**  
**WEIGHT: 0.28 LBS / 0.127 Kg**



**1101-3606-LP is the same as 1101-3606 except Pin Design.**

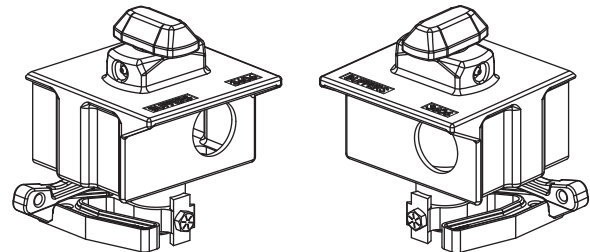


MODEL 1101-3606-LP-R is shown dimensioned.  
MODEL 1101-3606-LP-L is the mirror opposite.

**MODEL 1101-3606-LP-L**

**MODEL 1101-3606-LP-R**

w/ Low-profile Head



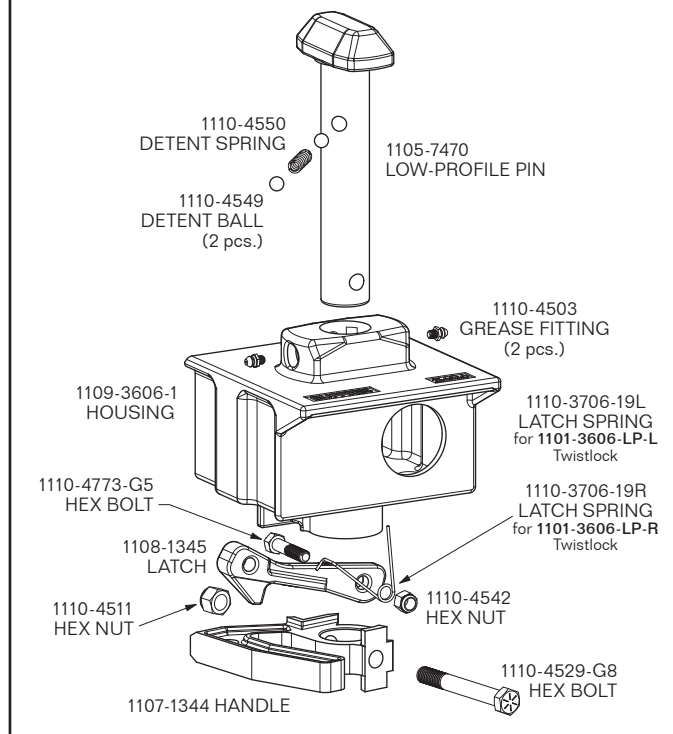
**MODEL 1101-3606-LP-L**  
for Rear Roadside  
(& Front Curbside if 20')  
**1 Light Hole**

**MODEL 1101-3606-LP-R**  
for Rear Curbside  
(& Front Roadside if 20')  
**1 Light Hole**

**FINISH: WELDABLE PRIMER**  
**WEIGHT: 28.3 LBS / 12.8 Kg**

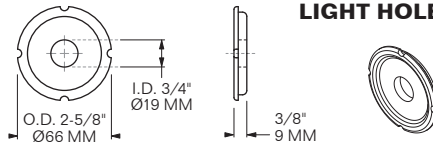
- Heavy-duty cast steel Housing & forged steel Pin
- Meets AAR specifications for Rail use
- Easy-to-operate Gravity Latch
- Unused Light Holes can be blanked off with 1110-1209 Rubber Hole Plug
- Ledges extended to protect Light

**EXPLODED VIEW**



**MODEL 1110-8400**

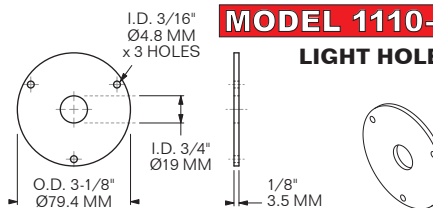
**LIGHT HOLE PLUG**  
Weld-on



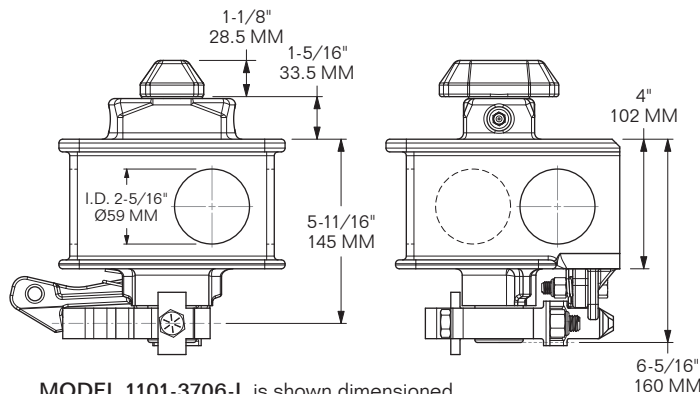
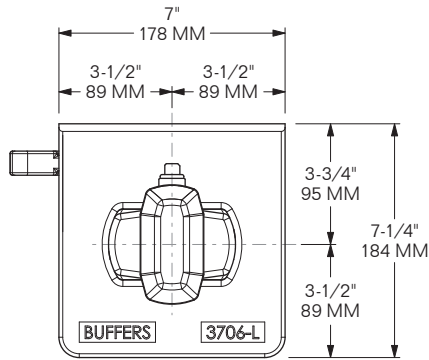
**CONVERTS Ø2-5/16\" LIGHT HOLE TO Ø3/4\"**  
**MATERIAL: CAST STEEL FINISH: WELDABLE PRIMER**  
**WEIGHT: 0.3 LBS / 0.136 Kg**

**MODEL 1110-8674**

**LIGHT HOLE PLUG**  
Bolt-on



**CONVERTS Ø2-5/16\" LIGHT HOLE TO Ø3/4\"**  
**MATERIAL: STEEL FINISH: WELDABLE PRIMER**  
**WEIGHT: 0.28 LBS / 0.127 Kg**

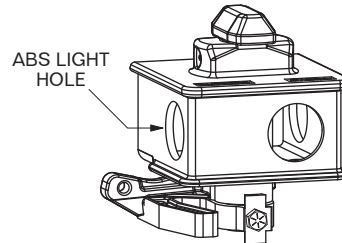


MODEL 1101-3706-L is shown dimensioned.  
 MODEL 1101-3706-R is the mirror opposite (w/ only two light holes).

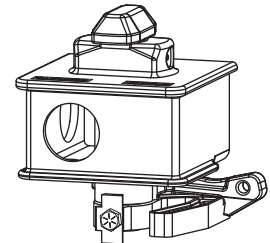
**MODEL 1101-3706-L**

**MODEL 1101-3706-R**

J.B. Hunt style w/ Low-profile Head



**MODEL 1101-3706-L**  
 for Rear Roadside  
 (& Front Curbside if 20')  
**3 Light Holes**

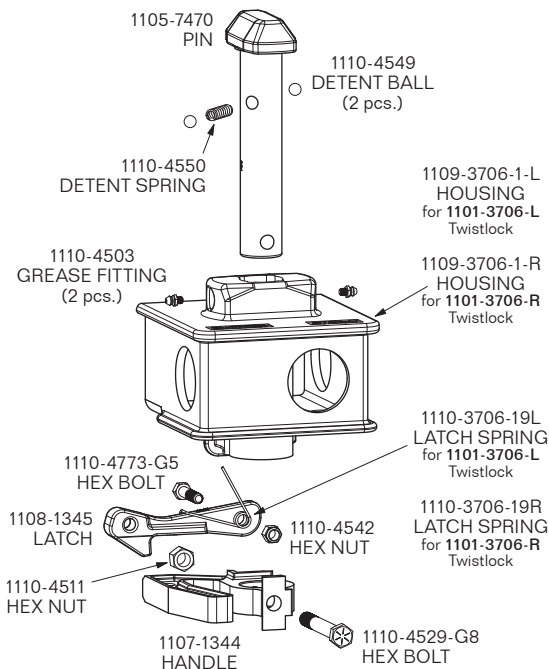


**MODEL 1101-3706-R**  
 for Rear Curbside  
 (& Front Roadside if 20')  
**2 Light Holes**

**SUB FOR: SCHULZ F33NS-LP-JBH-XX-2**  
**FINISH: WELDABLE PRIMER**  
**WEIGHT: 28 LBS / 12.7 Kg**

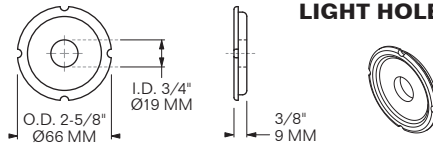
- Heavy-duty cast steel Housing & forged steel Pin
- Meets AAR specifications for Rail use
- Easy-to-operate Gravity Latch
- Unused Light Holes can be blanked off with 1110-1209 Rubber Hole Plug
- Ledges extended to protect Lights

**EXPLODED VIEW**



**MODEL 1110-8400**

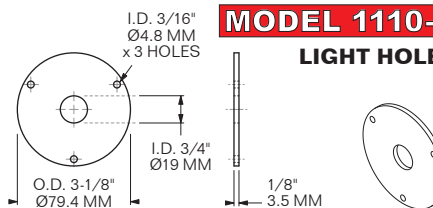
**LIGHT HOLE PLUG**  
 Weld-on



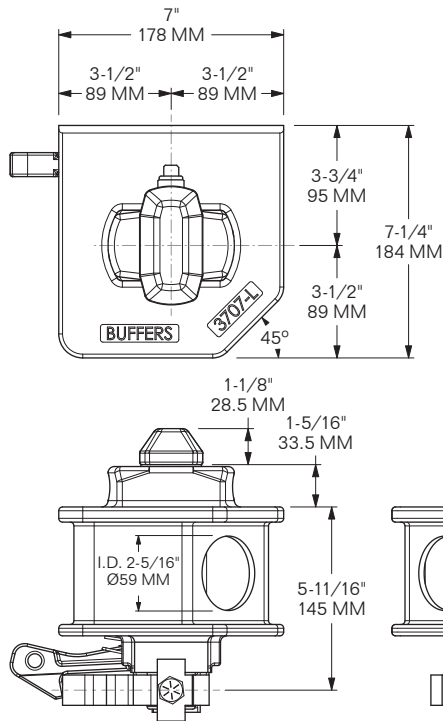
**CONVERTS Ø2-5/16" LIGHT HOLE TO Ø3/4"**  
**MATERIAL: CAST STEEL FINISH: WELDABLE PRIMER**  
**WEIGHT: 0.3 LBS / 0.136 Kg**

**MODEL 1110-8674**

**LIGHT HOLE PLUG**  
 Bolt-on



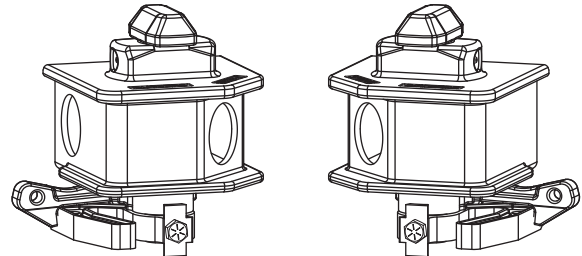
**CONVERTS Ø2-5/16" LIGHT HOLE TO Ø3/4"**  
**MATERIAL: STEEL FINISH: WELDABLE PRIMER**  
**WEIGHT: 0.28 LBS / 0.127 Kg**



**MODEL 1101-3707-L**

**MODEL 1101-3707-R**

J.B. Hunt style w/ Low-profile Head



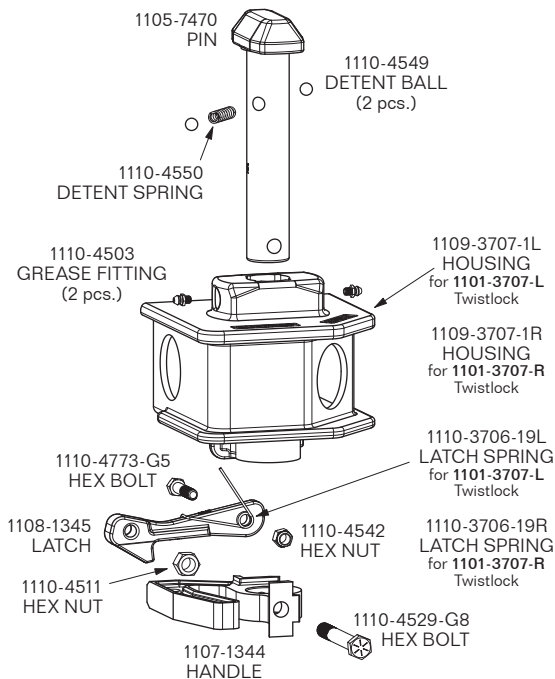
**MODEL 1101-3707-L**  
for Rear Roadside  
(& Front Curbside if 20')  
**2 Light Holes**

**MODEL 1101-3707-R**  
for Rear Curbside  
(& Front Roadside if 20')  
**1 Light Hole**

**SUB FOR:**  
SCHULZ F33NS-45-LP-XX-JBH  
**FINISH:** WELDABLE PRIMER  
**WEIGHT:** 28 LBS / 12.7 Kg

MODEL 1101-3707-L is shown dimensioned.  
MODEL 1101-3707-R is the mirror opposite (w/ only one light hole).

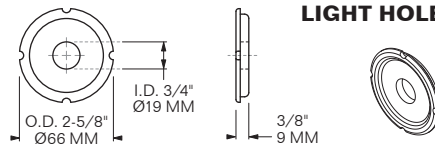
**EXPLODED VIEW**



- Cast steel Housing & forged steel Pin
- Meets AAR specifications for Rail use
- Easy-to-operate Gravity Latch
- Angled corner for Side & Rear Light visibility

**MODEL 1110-8400**

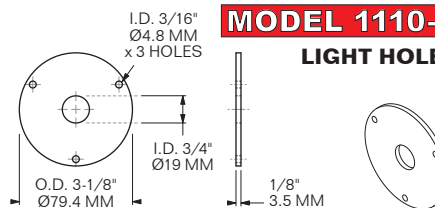
**LIGHT HOLE PLUG**  
Weld-on



**CONVERTS Ø2-5/16" LIGHT HOLE TO Ø3/4"**  
**MATERIAL:** CAST STEEL **FINISH:** WELDABLE PRIMER  
**WEIGHT:** 0.3 LBS / 0.136 Kg

**MODEL 1110-8674**

**LIGHT HOLE PLUG**  
Bolt-on



**CONVERTS Ø2-5/16" LIGHT HOLE TO Ø3/4"**  
**MATERIAL:** STEEL **FINISH:** WELDABLE PRIMER  
**WEIGHT:** 0.28 LBS / 0.127 Kg