

MODEL 1205-2108
FRONT CORNER POST

SUB FOR: JINDO AD0202-3446
FITS: JINDO 53' x 102" WIDE, CSX, HUB, PACER
LENGTH: 110-1/2" / 2,806 MM
MATERIAL: CORTEN STEEL
FINISH: PRIMER
WEIGHT: 90 LBS / 40.82 Kg

MODEL 1205-2130
FRONT CORNER POST

SUB FOR: JINDO AD0202-3110
FITS: JINDO 48' & 53' w/ 107" DOOR HEIGHT, PACER
LENGTH: 114" / 2,896 MM
MATERIAL: CORTEN STEEL
FINISH: PRIMER
WEIGHT: 91.4 LBS / 41.46 Kg

MODEL 1205-2150
FRONT CORNER POST

SUB FOR: HYUNDAI 10004293
FITS: HYUNDAI 53' x 102" WIDE MODEL HDM53WHA6320
LENGTH: 114" / 2,895 MM
MATERIAL: CORTEN STEEL
FINISH: PRIMER
WEIGHT: 80.8 LBS / 36.7 Kg

MODEL 1205-8102
FRONT CORNER POST

SUB FOR: JINDO AD0202-3110
FITS: JINDO 48' & 53' w/ 107" DOOR HEIGHT, PACER
LENGTH: 114" / 2,896 MM
MATERIAL: CORTEN STEEL
FINISH: PRIMER
WEIGHT: 91.4 LBS / 41.46 Kg

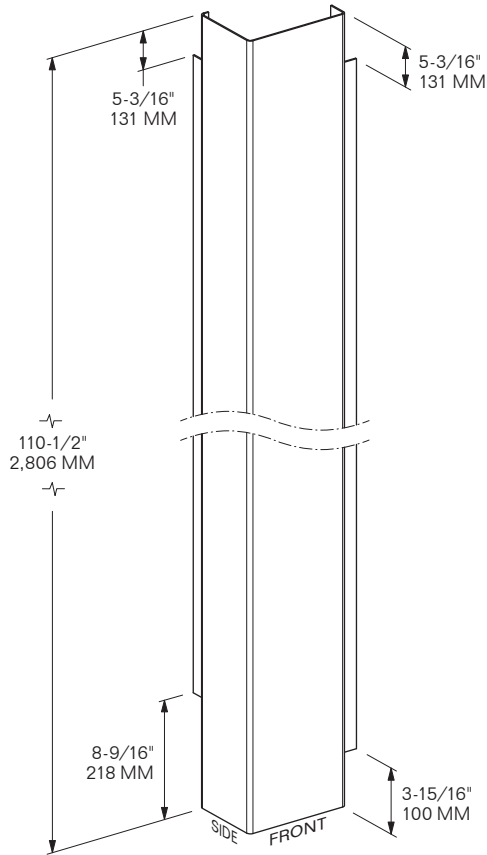
MODEL 1205-8971-CS
MODEL 1205-8971-RS
FRONT CORNER POST
Notched

SUB FOR: SINGAMAS 53-302003-XX
FITS: SINGAMAS 53', HUB
LENGTH: 110-15/32" / 2,806 MM
MATERIAL: CORTEN STEEL
FINISH: PRIMER
WEIGHT: 79.81 LBS / 36.2 Kg



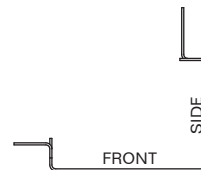
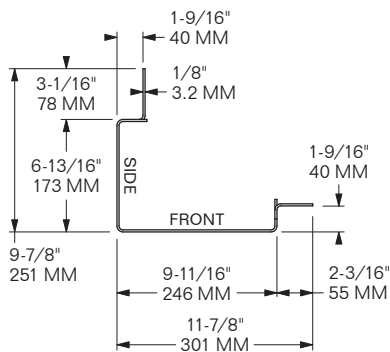
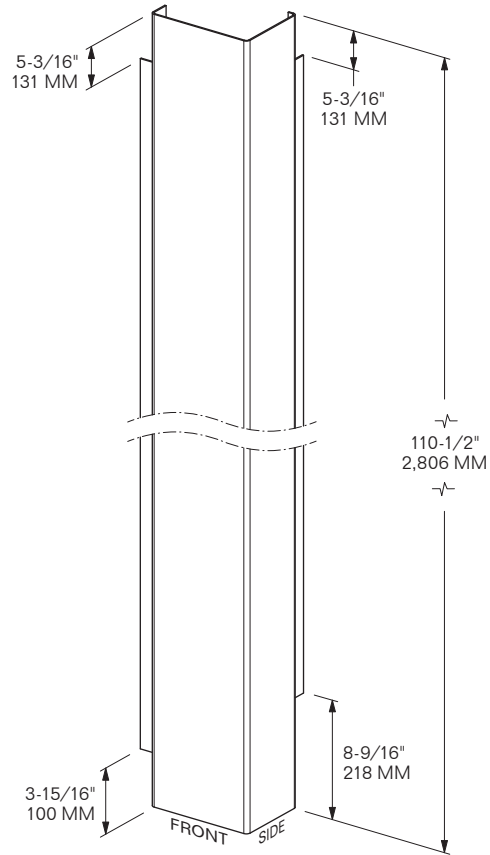
MODEL 1205-6905-L

FRONT CORNER POST
Curbside



MODEL 1205-6905-R

FRONT CORNER POST
Roadside



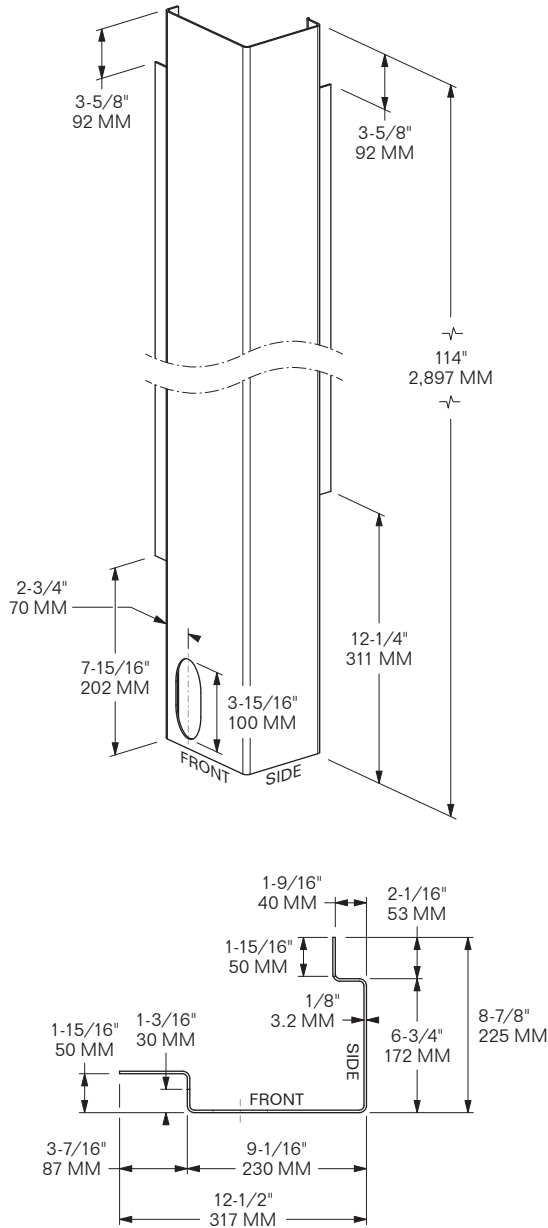
R is mirror of L

NOTE: These models were discontinued in 2024; see non-handed **Model 1205-2108** (identical shape without notches) for a viable replacement.

SUB FOR: JINDO AD0202-3446 **FITS:** 53' w/ 110" DOOR, SPEC. #2
LENGTH: 110-1/2" / 2,806 MM **MATERIAL:** CORTEN STEEL
FINISH: PRIMER **WEIGHT:** 93 LBS / 42.2 Kg

MODEL 1205-6906-R

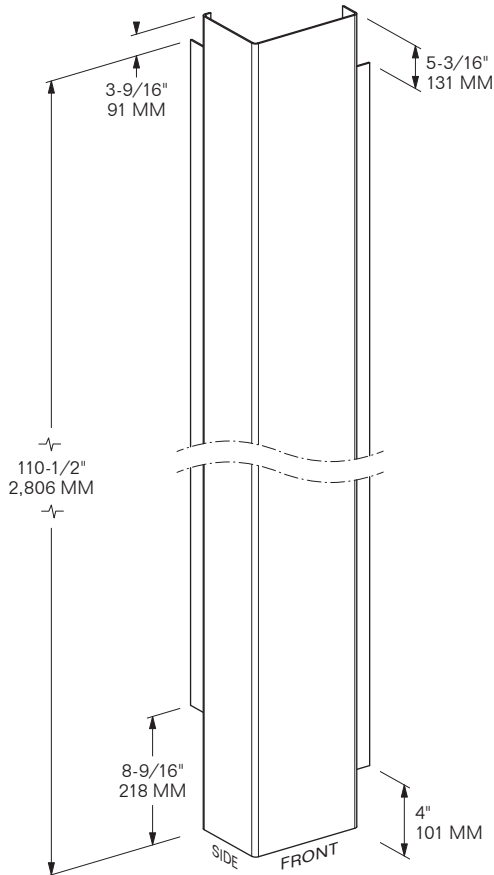
FRONT CORNER POST
 Roadside



SUB FOR: JINDO AD0202-3110 **FITS:** 48' & 53' w/ 107" DOOR OPENING
LENGTH: 114" / 2,896 MM **MATERIAL:** CORTEN STEEL
FINISH: PRIMER **WEIGHT:** 84 LBS / 38.1 Kg

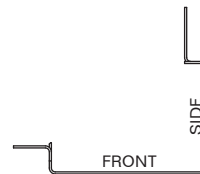
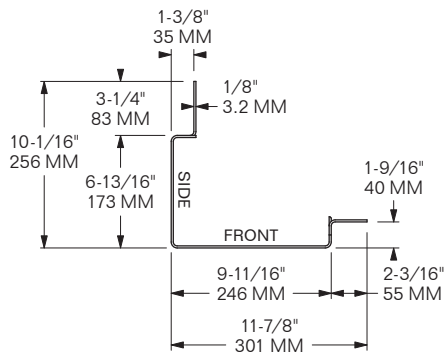
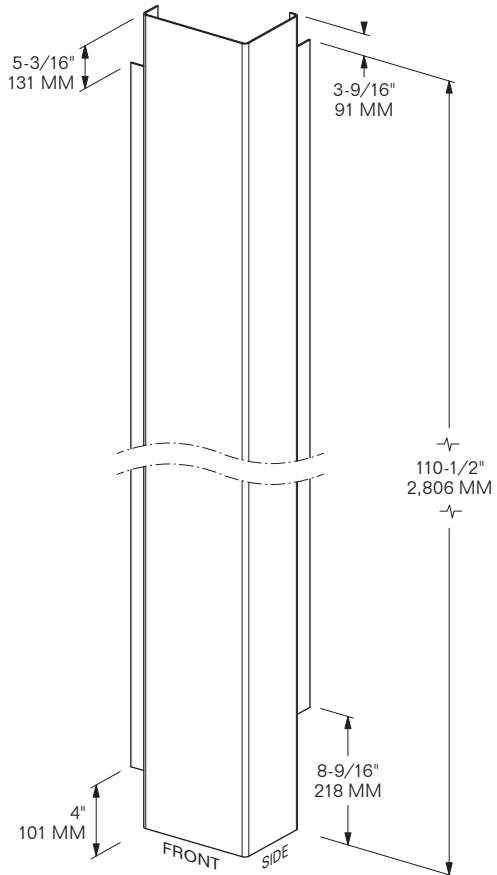
MODEL 1205-6907-L

FRONT CORNER POST
Curbside



MODEL 1205-6907-R

FRONT CORNER POST
Roadside

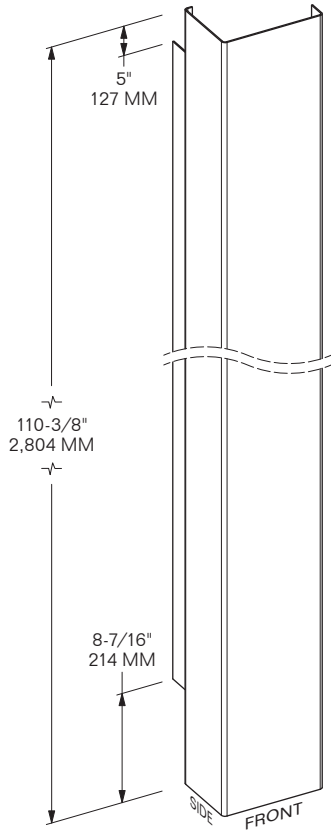


R is mirror of L

SUB FOR: JINDO AD0202-3445 **FITS:** 53' w/ 110" DOOR OPENING, SPEC. #1
LENGTH: 110-1/2" / 2,806 MM **MATERIAL:** CORTEN STEEL
FINISH: PRIMER **WEIGHT:** 83 LBS / 37.6 Kg

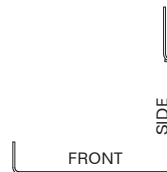
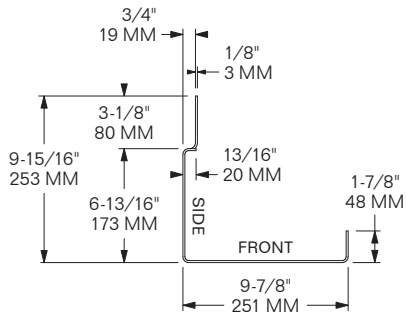
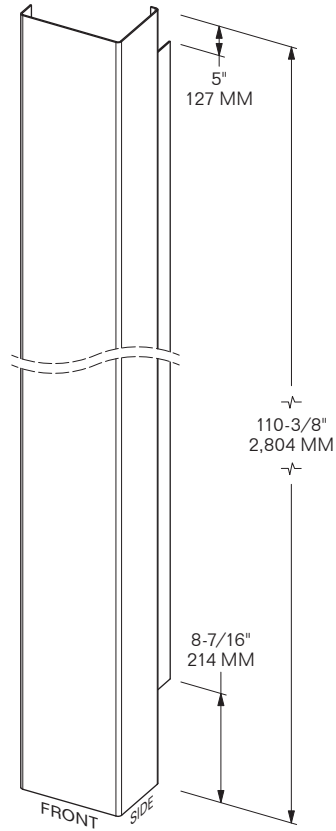
MODEL 1205-7844-L

FRONT CORNER POST
Curbside



MODEL 1205-7844-R

FRONT CORNER POST
Roadside

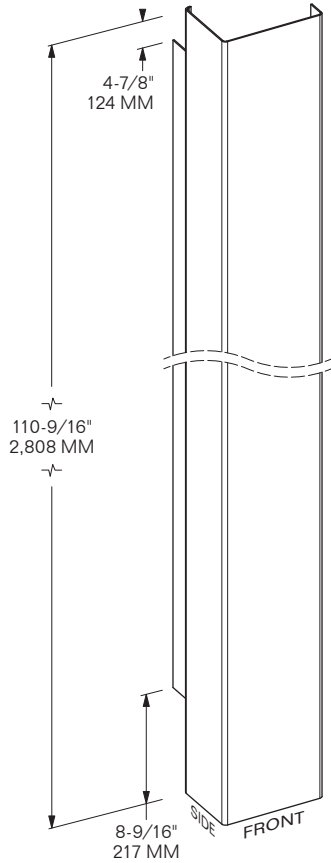


R is mirror of L

SUB FOR: JINDO AD0202-9280, J.B. HUNT 31833 **FITS:** J.B. HUNT 53'
LENGTH: 110-3/8" / 2,804 MM **MATERIAL:** DOMEX H.S. STEEL
FINISH: GREY PRIMER **WEIGHT:** 77.3 LBS / 35.1 Kg

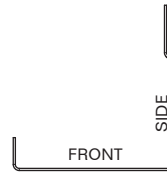
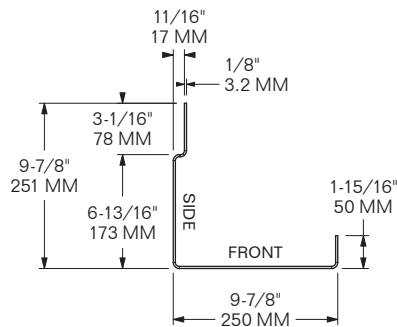
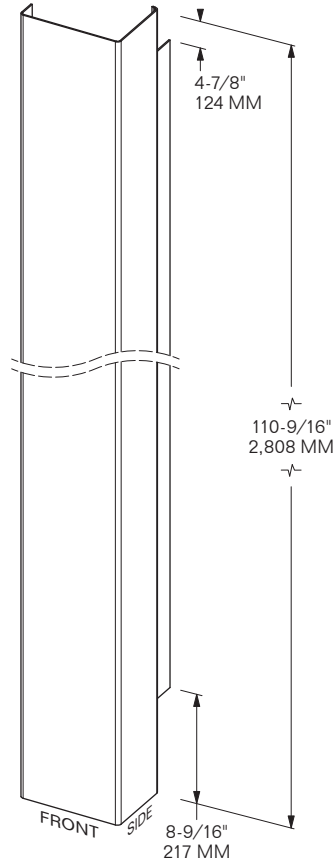
MODEL 1205-8012-L

FRONT CORNER POST
 Curbside



MODEL 1205-8012-R

FRONT CORNER POST
 Roadside

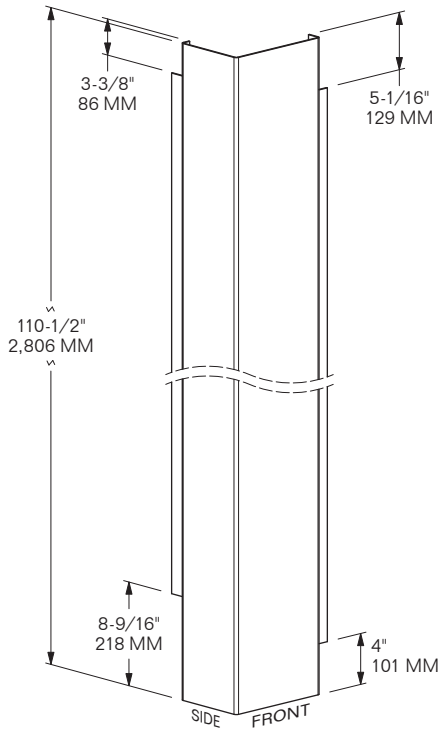


R is mirror of L

SUB FOR: SINGAMAS QPJH-300053, J.B. HUNT 31931 **FITS:** J.B. HUNT / SINGAMAS 53'
LENGTH: 110-9/16" / 2,808 MM **MATERIAL:** CORTEN STEEL
FINISH: WELDABLE PRIMER **WEIGHT:** 82.3 LBS / 37.3 Kg

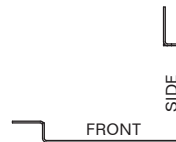
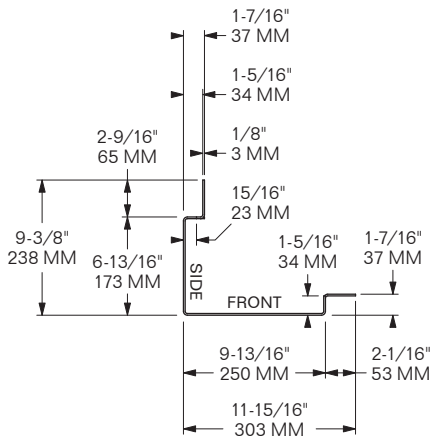
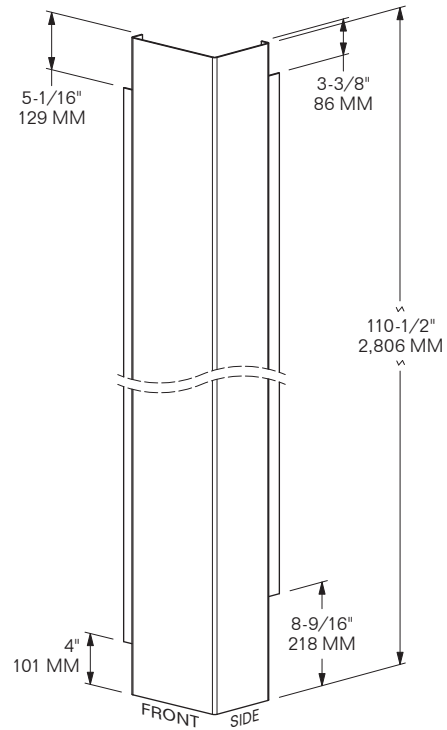
MODEL 1205-8412-L

FRONT CORNER POST
Curbside



MODEL 1205-8412-R

FRONT CORNER POST
Roadside



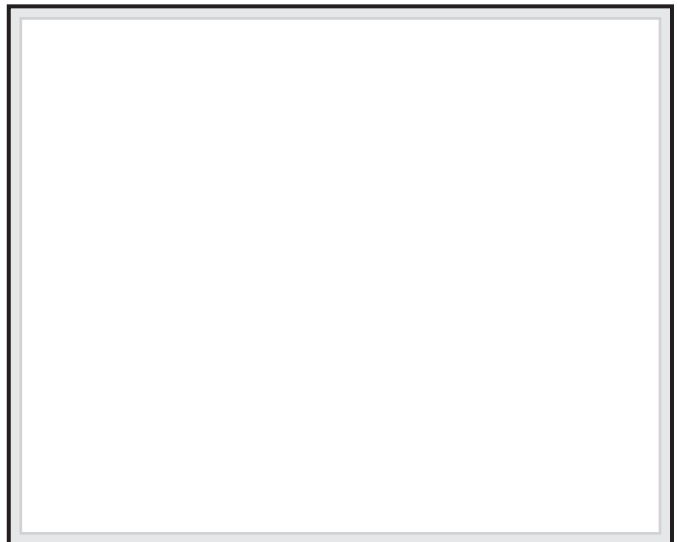
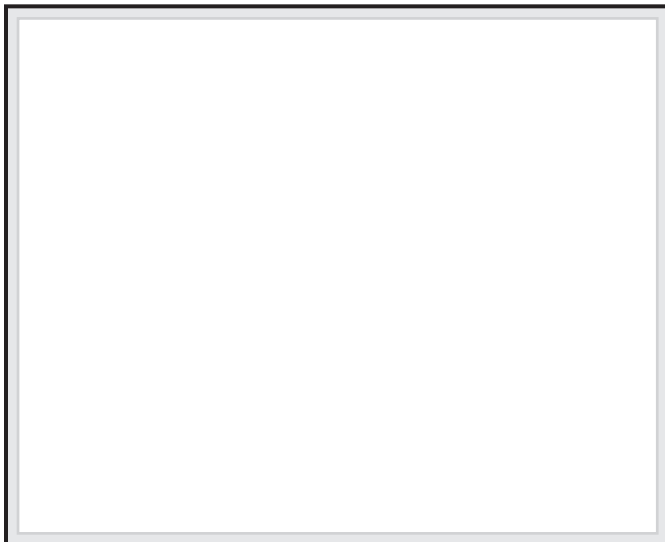
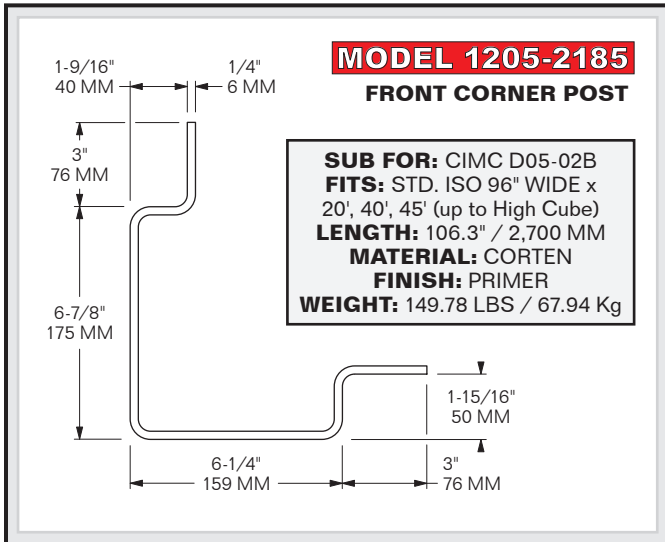
R is mirror of L

SUB FOR: SINGAMAS, SWIFT 53-302003L & 53-302003R **FITS:** SINGAMAS & SWIFT 53'
LENGTH: 110-1/2" / 2,806 MM **MATERIAL:** CORTEN STEEL **FINISH:** PRIMER **WEIGHT:** 80 LBS / 36.3 Kg



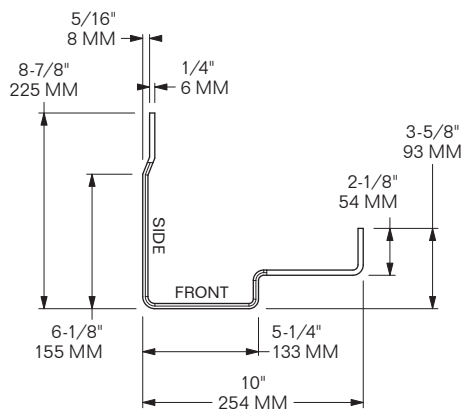
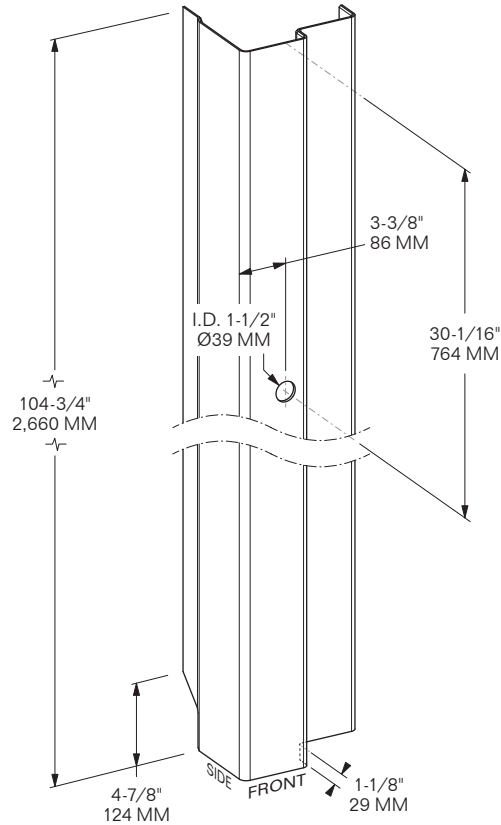
FRONT CORNER POST

ISO CONTAINERS



MODEL 1205-6828-L

FRONT CORNER POST
 Curbside



SUB FOR: CIMC 04-002-T1-L **FITS:** CIMC REEFER 9'6"
LENGTH: 104-3/4" / 2,660 MM **MATERIAL:** CORTEN STEEL
FINISH: PRIMER **WEIGHT:** 151 LBS / 68.5 Kg

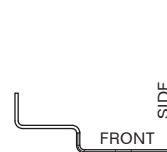
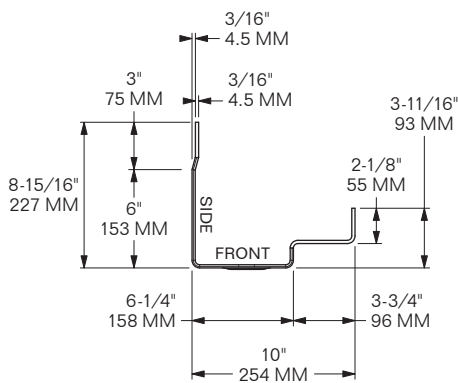
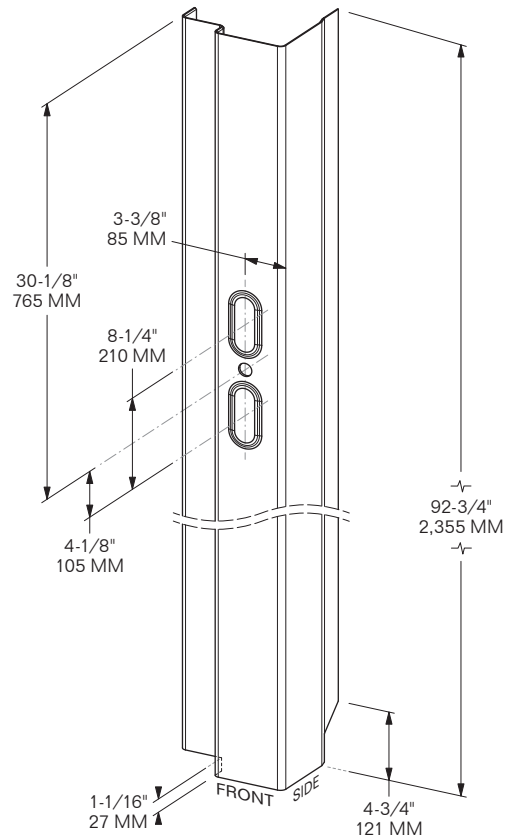
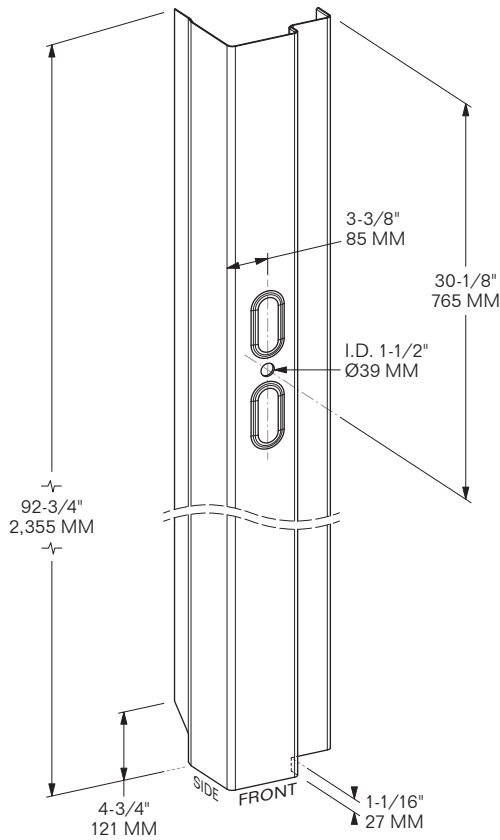
MODEL 1205-7295-L

SPECIAL ORDER ONLY

MODEL 1205-7295-R

FRONT CORNER POST
 Curbside

FRONT CORNER POST
 Roadside



R is mirror of L

SUB FOR: CIMC FF01-A319-C0 **FITS:** CIMC HC REEFER **LENGTH:** 92-3/4" / 2,355 MM
MATERIAL: CORTEN STEEL **FINISH:** PRIMER **WEIGHT:** 110 LBS / 49.9 Kg

MODEL 1205-8139

FRONT CORNER POST
 Non-handed

SPECIAL ORDER ONLY

MODEL 1205-8441

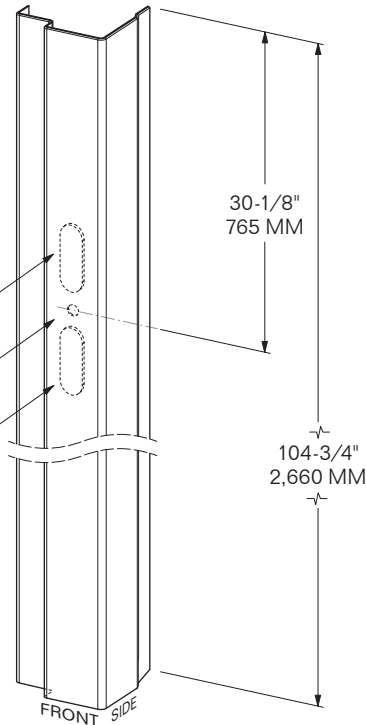
SPACER PAD
 Weld-on

**CUSTOMER TO NOTCH OUT
 AND MAKE L & R
 FROM NON-HANDED**

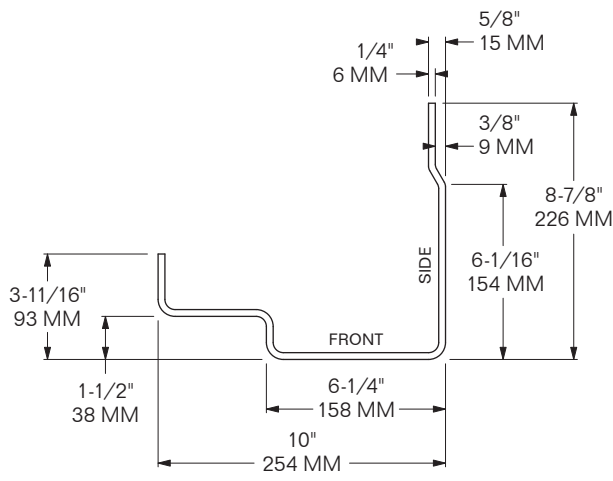
1205-8441 SPACER PAD
 To be welded by Customer
 (Sold Separately)

1-3/16" / 30 MM HOLE
 To be drilled by Customer

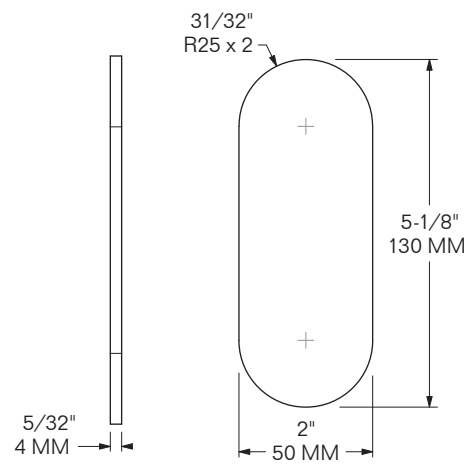
1205-8441 SPACER PAD
 To be welded by Customer
 (Sold Separately)



FITS: CIMC HC REEFER **LENGTH:** 104-3/4" / 2,660 MM
MATERIAL: CORTEN STEEL **FINISH:** PRIMER **WEIGHT:** 146 LBS / 66.2 Kg



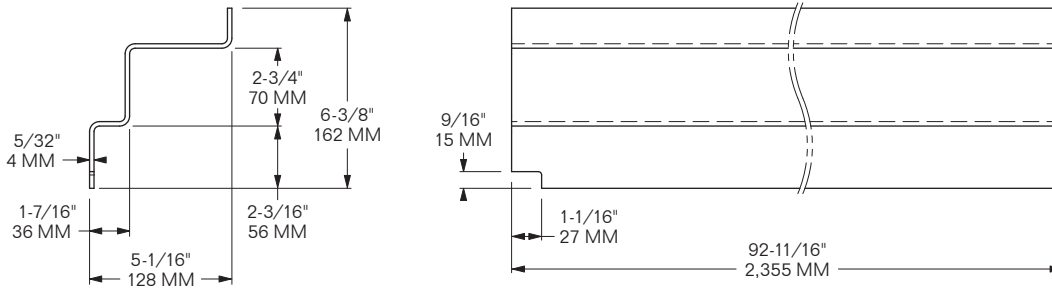
MODEL 1205-8139 FRONT CORNER POST



MODEL 1205-8441 SPACER PAD

MODEL 1205-7292-L

FRONT CORNER POST
Inner

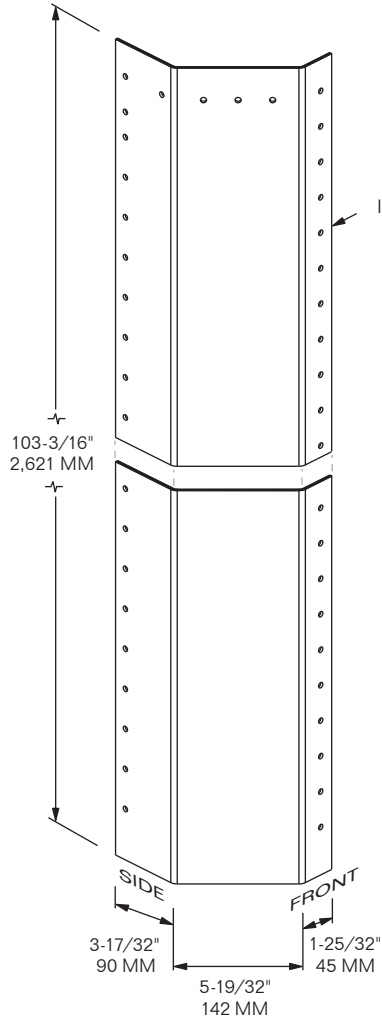


FITS: CIMC 40' x 8'6" REEFER **SUB FOR:** CIMC FF02-G212-C0 **LENGTH:** 92-11/16" / 2,355 MM
MATERIAL: CORTEN STEEL **FINISH:** WELDABLE PRIMER **WEIGHT:** 44.85 LBS / 20.34 Kg

MODEL 1205-2748-R

FRONT CORNER POST
 Curbside

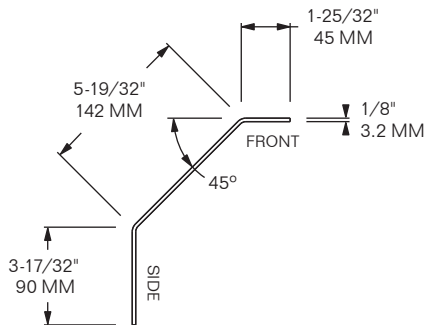
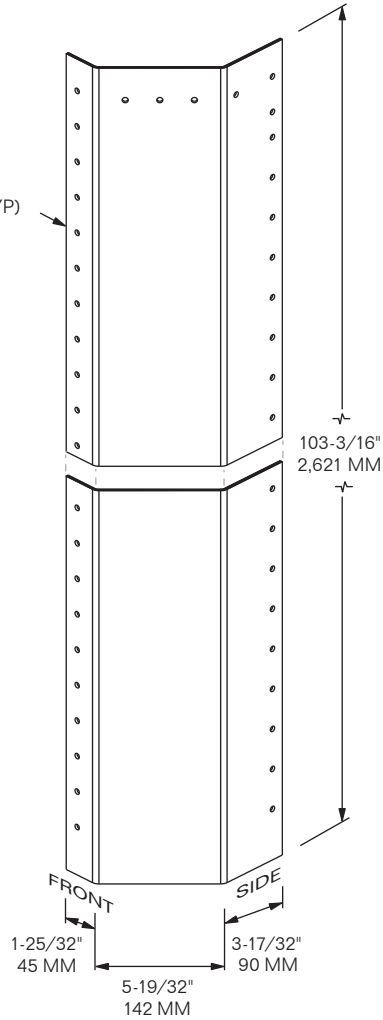
SUB FOR: HYUNDAI 20006821



MODEL 1205-2748-L

FRONT CORNER POST
 Roadside

SUB FOR: HYUNDAI 20006820



Model 1205-2748-L shown dimensioned.

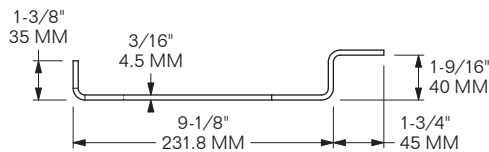
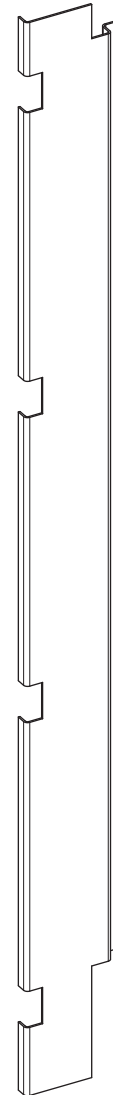
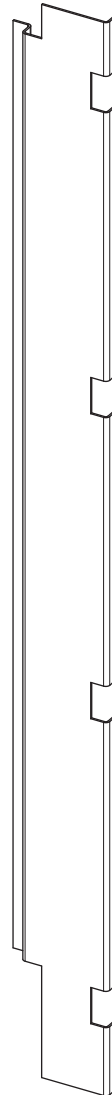
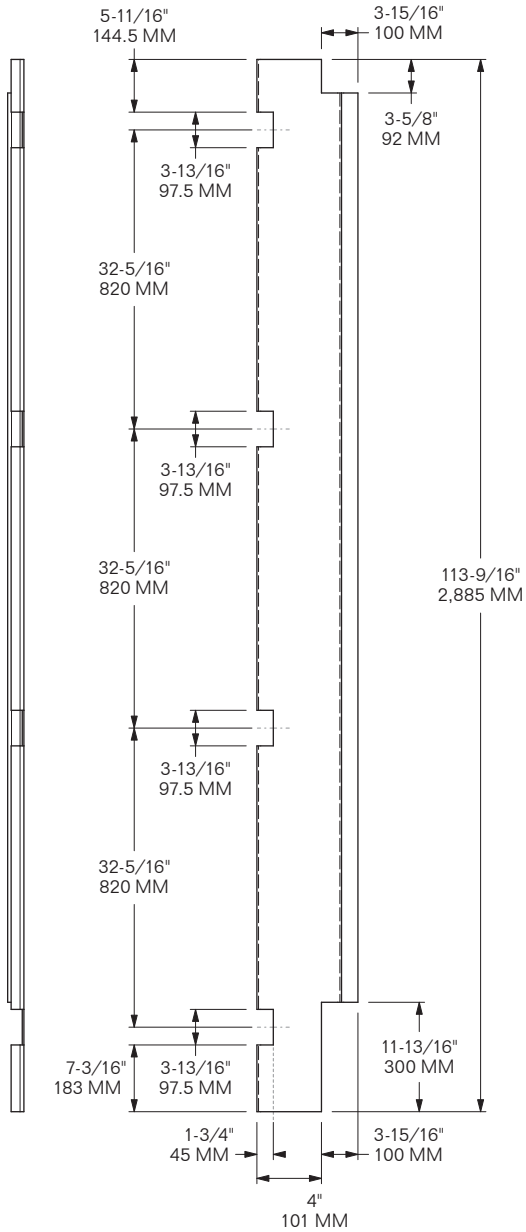
LENGTH: 103-3/16" / 2,621 MM
MATERIAL: HOT-ROLLED STEEL
FINISH: HOT-DIP GALVANIZED (HDG)
WEIGHT: 41.05 LBS / 18.62 Kg

MODEL 1205-6888-L

MODEL 1205-6888-R

REAR CORNER POST
 Roadside

REAR CORNER POST
 Curbside



Model 1205-6888-R shown dimensioned.

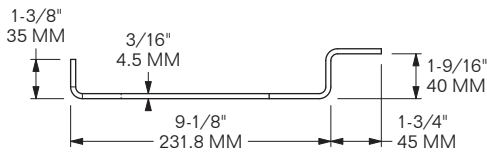
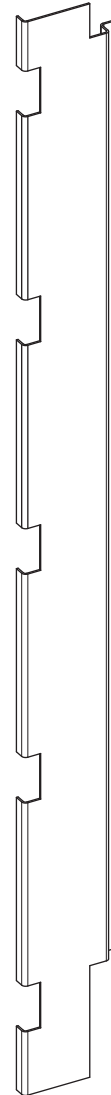
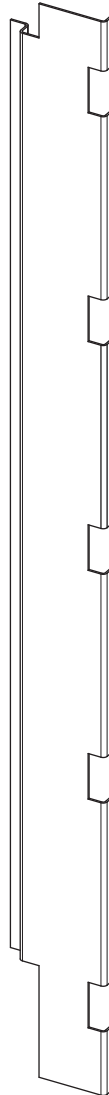
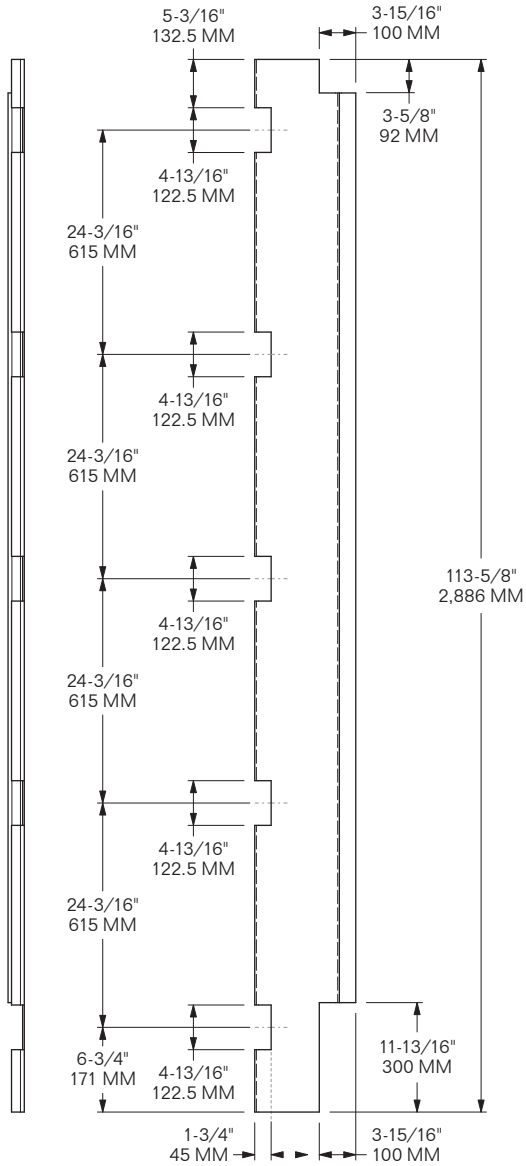
SUB FOR: JINDO AE0201-2400
FITS: JINDO 48' & 53' w/ 107" DOOR
 OPENING, SPEC. #1, PACER, CSX
LENGTH: 113-5/8" / 2,886 MM
MATERIAL: CORTEN **FINISH:** PRIMER
WEIGHT: 64 LBS / 29.03 Kg

MODEL 1205-6889-L

REAR CORNER POST
Roadside

MODEL 1205-6889-R

REAR CORNER POST
Curbside



Model 1205-6889-R shown dimensioned.

SUB FOR: JINDO AE0201-2407
FITS: JINDO 48' & 53' w/ 107" DOOR
 OPENING, SPEC. #2, PACER, CSX
LENGTH: 113-5/8" / 2,886 MM
MATERIAL: CORTEN **FINISH:** PRIMER
WEIGHT: 63 LBS / 28.58 Kg

MODEL 1205-2120
REAR CORNER POST
Outer

SUB FOR: CIMC D06-01B
FITS: 20', 40' & 45' ISO HIGH CUBE
LENGTH: 106-5/16" / 2,700 MM
MATERIAL: CORTEN STEEL
FINISH: PRIMER
WEIGHT: 89 LBS / 40.37 Kg

MODEL 1205-2121
REAR CORNER POST
Inner

SUB FOR: CIMC D06-03C
FITS: 20', 40' & 45' ISO
LENGTH: 104-5/8" / 2,657 MM
MATERIAL: CORTEN STEEL
FINISH: PRIMER
WEIGHT: 81 LBS / 36.74 Kg

MODEL 1205-2911
REAR CORNER POST ASSEMBLY
Welded Inner & Outer

FITS: 20' & 40' x 8' 6" STD. ISO
LENGTH: 94-1/2" / 2,400 MM
MATERIAL: CORTEN STEEL
FINISH: PRIMER
WEIGHT: 141 LBS / 63.96 Kg

MODEL 1205-2912
REAR CORNER POST ASSEMBLY
Tack-welded Inner & Outer

FITS: 20', 40' & 45' x 9' 6" ISO HIGH CUBE
LENGTH: 106-1/4" / 2,700 MM
MATERIAL: CORTEN STEEL
FINISH: PRIMER
WEIGHT: 170 LBS / 77.11 Kg

MODEL 1205-6892 DOES NOT HAVE HOLES. MODELS 1205-6893 & 1205-6894 HAVE 4 HOLES AS SHOWN.

MODELS 1205-6893 & 1205-6894 ONLY: 2-15/16" 75 MM, 2-9/16" 65 MM

MODELS 1205-6893 & 1205-6894 ONLY: I.D. 1/2" Ø14 MM x 4 HOLES

MODEL 1205-6892
MODEL 1205-6893
MODEL 1205-6894
REAR CORNER POSTS
Inner

MATERIAL: CORTEN STEEL
FINISH: ZINC PRIMER

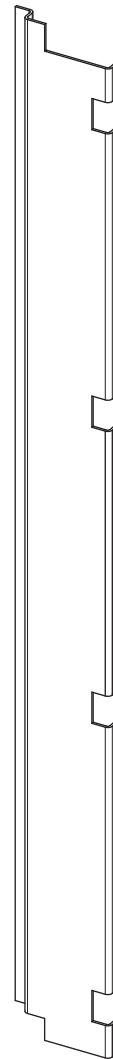
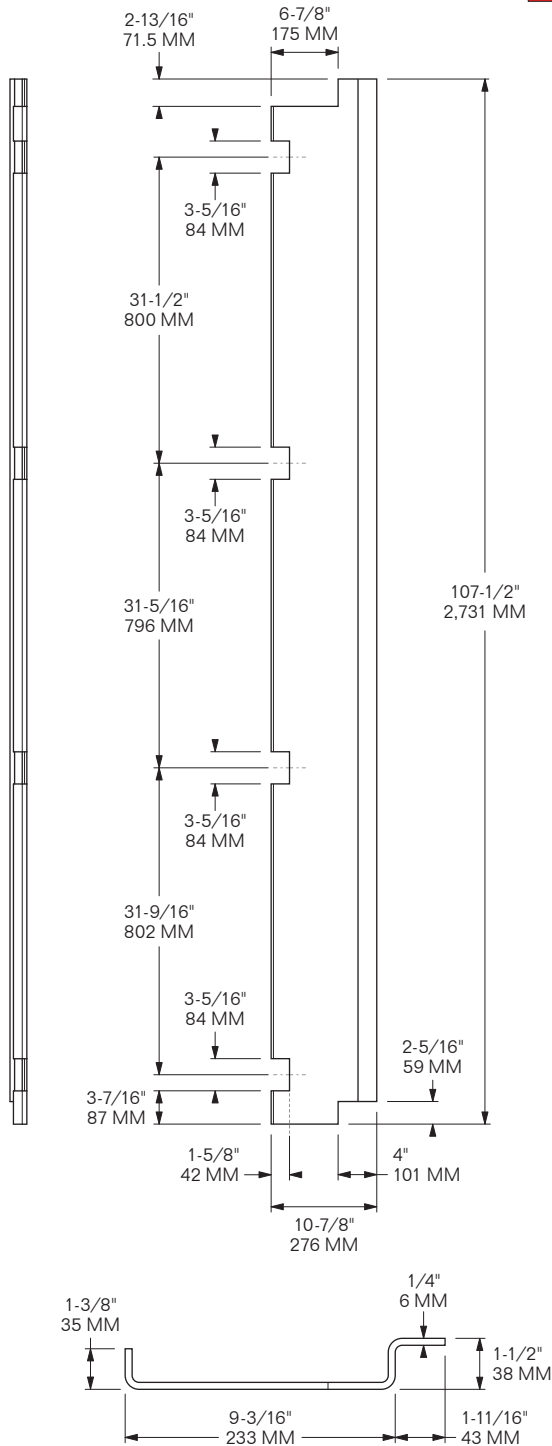
MODEL	A	B	C	LENGTH	WEIGHT	SUB FOR	FITS
1205-6892	4-3/4" / 121 MM	1-11/16" / 42.9 MM	1/8" / 3.2 MM	113-5/8" / 2,886 MM	27.7 LBS / 12.6 Kg	JINDO AE0202-0650	48', 53' x 107"
1205-6893	4-13/16" / 122 MM	1-11/16" / 42.9 MM	1/8" / 3.2 MM	113-7/16" / 2,881 MM	28.1 LBS / 12.7 Kg	JINDO AE0202-2614	53' x 110"
1205-6894	4-13/16" / 122 MM	1-9/16" / 39.7 MM	1/8" / 3.2 MM	113-7/16" / 2,881 MM	27 LBS / 12.2 Kg	JINDO AE0202-2613	53' x 110"

MODEL 1205-6211-L

MODEL 1205-6211-R

REAR CORNER POST
Outer, Roadside

REAR CORNER POST
Outer, Curbside



FITS: 20', 40' & 45' x 9' 6" ISO
LENGTH: 107-1/2" / 2,731 MM
MATERIAL: CORTEN STEEL **FINISH:** PRIMER
WEIGHT: 89 LBS / 40.37 Kg

Model 1205-6211-R shown dimensioned.



REAR CORNER POST

INNER, SIDE
REEFER CONTAINERS

MODEL 1205-7294
REAR CORNER POST
Inner, Side

92-11/16"
2,355 MM

1-9/16"
40 MM

23/64"
R9 MM

1/4"
6 MM

2-1/2"
63 MM

5/32" / 4 MM
x 4 @ 45° Chamfer

SUB FOR: CIMC EF03-A210-C0
FITS: CIMC 40' REEFER **LENGTH:** 7'8-11/16" / 2,355 MM
MATERIAL: CORTEN STEEL **FINISH:** PRIMER
WEIGHT: 22.28 LBS / 10.11 Kg

