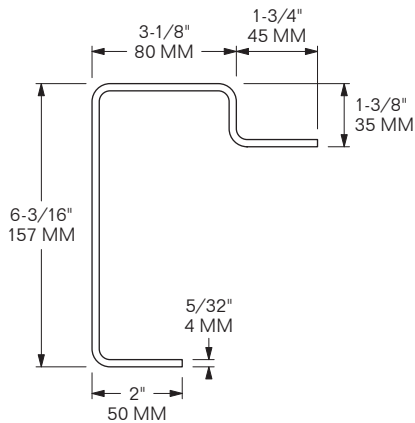
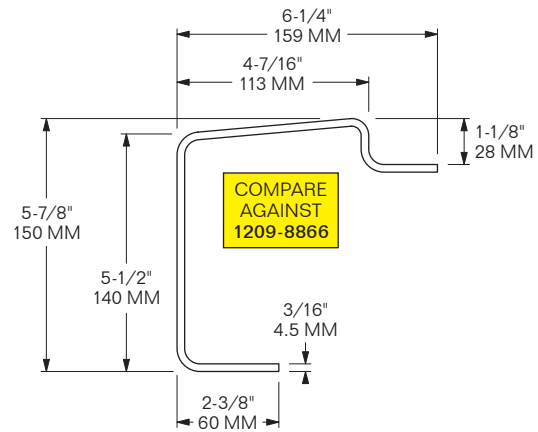


MODEL 1209-2115
FRONT BOTTOM RAIL



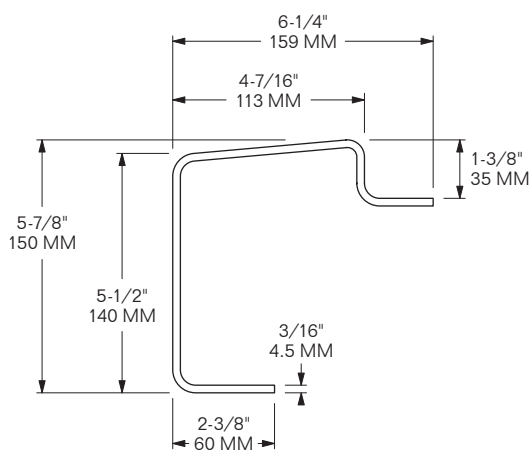
FITS: 20', 40', 45' x 96" ISO
LENGTH: 83-3/16" / 2,113 MM
MATERIAL: CORTEN STEEL **FINISH:** PRIMER
WEIGHT: 48 LBS / 21.77 Kg

MODEL 1209-2140
REAR BOTTOM DOOR SILL



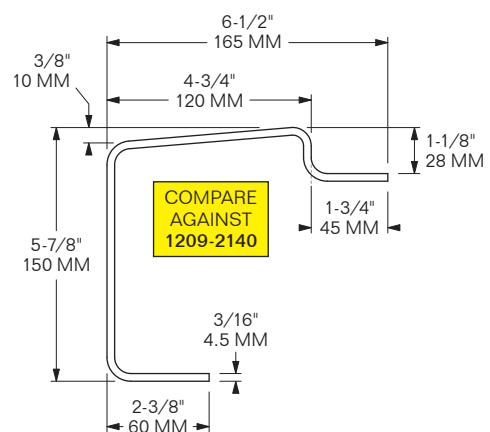
SUB FOR: CIMC D10-01
FITS: 20', 40', 45' x 96" ISO
LENGTH: 94-1/2" / 2,400 MM
MATERIAL: CORTEN STEEL **FINISH:** PRIMER
WEIGHT: 60 LBS / 27.22 Kg

MODEL 1209-2273
REAR BOTTOM DOOR SILL



FITS: 20', 40', 45' x 96" ISO
LENGTH: 92" / 2,337 MM
MATERIAL: CORTEN STEEL **FINISH:** PRIMER
WEIGHT: 64 LBS / 29.03 Kg

MODEL 1209-8866
REAR BOTTOM DOOR SILL

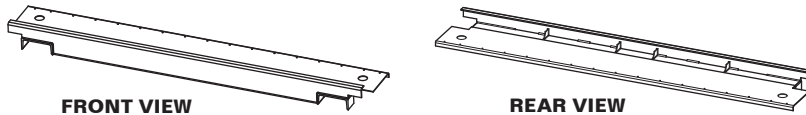
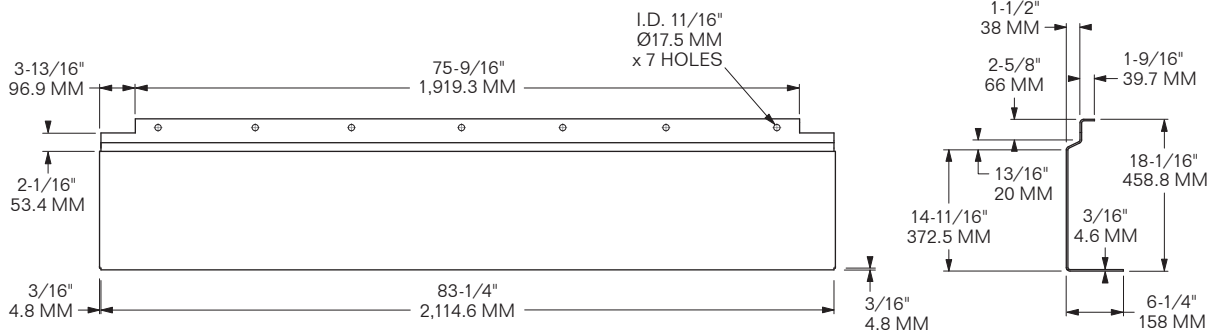
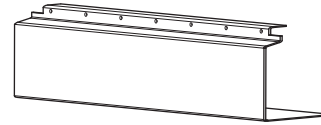


SUB FOR: CIMC D10-01-9 **FITS:** CIMC 40' & 45' ISO
LENGTH: 94-1/2" / 2,400 MM
MATERIAL: CORTEN STEEL **FINISH:** PRIMER
WEIGHT: 69.38 LBS / 31.47 Kg

SUB FOR: MAERSK 7133302 **FITS:** MCIQ 40' REEFER
LENGTH: 83-5/8" / 2,124 MM
MATERIAL: CORTEN STEEL **FINISH:** PRIMER
WEIGHT: 107.2 LBS / 48.6 Kg

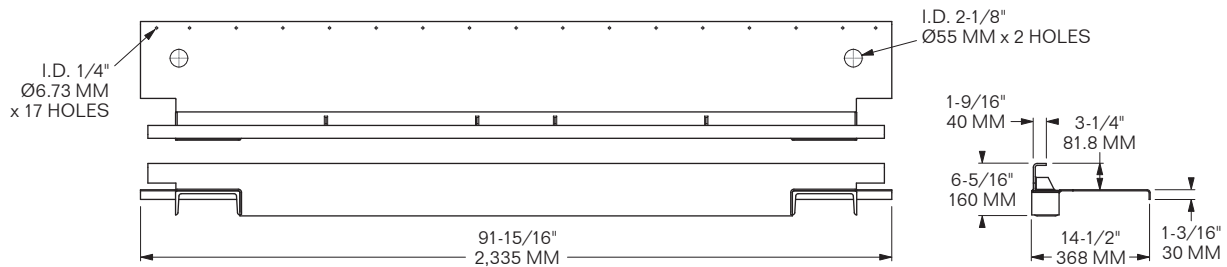
MODEL 1209-6443

FRONT BOTTOM RAIL
Outer



MODEL 1209-6460

REAR DOOR SILL ASSEMBLY



SUB FOR: MAERSK 7141610 **FITS:** MCIQ 40' REEFER MODEL MQR5-40HS-251B **LENGTH:** 91-15/16" / 2,335 MM
MATERIAL: CORTEN STEEL **FINISH:** PRIMER **WEIGHT:** 119 LBS / 53.98 Kg



MODEL 1209-6806

REAR DOOR SILL
Vertical Beam



SUB FOR: CIMC EF09-B210-C0 **FITS:** CIMC 40' x 96" REEFER **LENGTH:** 90-1/16" / 2,287 MM
MATERIAL: CORTEN STEEL **FINISH:** PRIMER **WEIGHT:** 54.2 LBS / 24.58 Kg

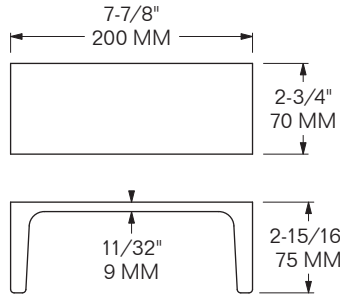


C-CHANNEL INSERT

for BOTTOM SILL
ISO CONTAINERS & FLATRACKS

MODEL 1209-2060

C-CHANNEL INSERT Bottom Sill



SUB FOR: CIMC D10-03, PENZ 70-26 & 70-28
MATERIAL: STEEL **FINISH:** PRIMER
WEIGHT: 3.77 LBS / 1.71 Kg