

CROSSMEMBER CLIPS

CONTAINERS: DOMCON / ISO / REEFER
& TRAILERS: DRY VAN / REEFER VAN

MODEL 1210-1635

SUB FOR: PENZ 70-04
MATERIAL: 10 GA. FAB. STEEL
FINISH: PRIMER
WEIGHT: 0.36 LBS / 0.16 Kg

MODEL 1210-2002

SUB FOR: PENZ 70-14-SPECIAL
MATERIAL: 10 GA. FAB. STEEL
FINISH: PRIMER
WEIGHT: 0.74 LBS / 0.34 Kg

MODEL 1210-2816

SUB FOR: PENZ 70-10
MATERIAL: 12 GA. FAB. STEEL
FINISH: PRIMER
WEIGHT: 0.63 LBS / 0.29 Kg

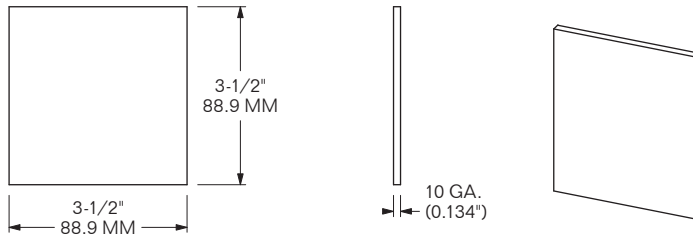
MODEL 1210-2932

SUB FOR: PENZ 70-13,
FRUEHAUF FCE 2576-2
MATERIAL: 10 GA. FAB. STEEL
FINISH: PRIMER
WEIGHT: 0.8 LBS / 0.36 Kg

CROSSMEMBER CLIPS

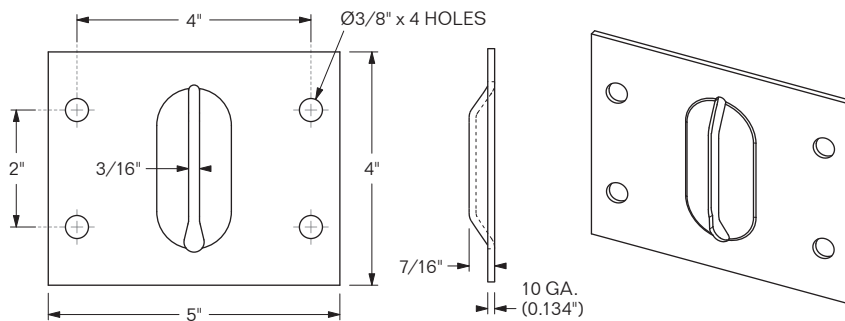
CONTAINERS: DOMCON / ISO / REEFER
& TRAILERS: DRY VAN / REEFER VAN

MODEL 1210-6344



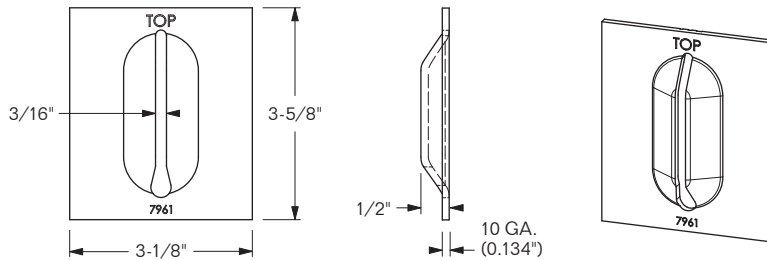
SUB FOR: GREAT DANE 08570
MATERIAL: 10 GA. FAB. STEEL
FINISH: PRIMER
WEIGHT: 0.48 LBS / 0.22 Kg

MODEL 1210-6464



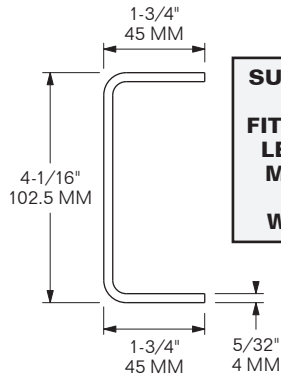
SUB FOR: PENZ 70-14
MATERIAL: 10 GA. FAB. STEEL
FINISH: PRIMER
WEIGHT: 0.7 LBS / 0.32 Kg

MODEL 1210-7961



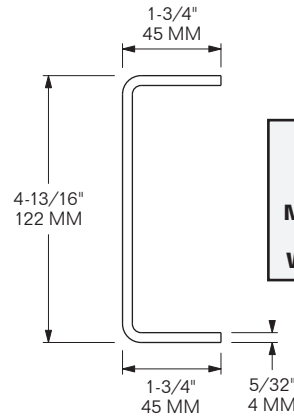
SUB FOR: PENZ 70-12
MATERIAL: 10 GA. FAB. STEEL
FINISH: PRIMER
WEIGHT: 0.43 LBS / 0.19 Kg

MODEL 1210-2361



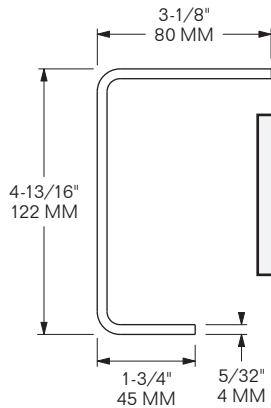
SUB FOR: JINDO AB0201-1136,
CIMC D07-03C
FITS: JINDO 48', 53' x 102" WIDE
LENGTH: 95-1/2" / 2,428 MM
MATERIAL: CORTEN STEEL
FINISH: PRIMER
WEIGHT: 29.6 LBS / 13.4 Kg

MODEL 1210-2461



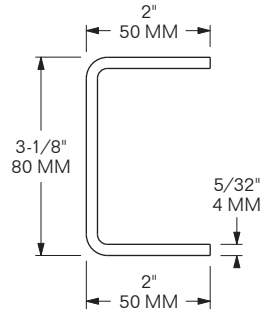
SUB FOR: CIMC D07-03D
FITS: 96" ISO CONTAINER
LENGTH: 92" / 2,337 MM
MATERIAL: CORTEN STEEL
FINISH: PRIMER
WEIGHT: 31.3 LBS / 14.2 Kg

MODEL 1210-2465



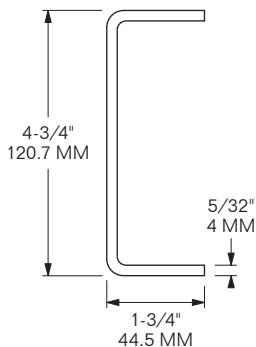
SUB FOR: CIMC D07-03A
FITS: 96" ISO CONTAINER
LENGTH: 92" / 2,337 MM
MATERIAL: CORTEN STEEL
FINISH: PRIMER
WEIGHT: 36 LBS / 16.3 Kg

MODEL 1210-2676



SUB FOR: CIMC 02-016, D07-03B
FITS: 96" ISO CONTAINER **LENGTH:** 92" / 2,337 MM
MATERIAL: CORTEN STEEL **FINISH:** PRIMER
WEIGHT: 26.5 LBS / 12 Kg

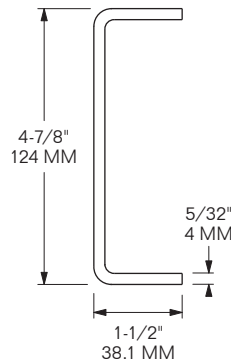
MODEL 1210-6110



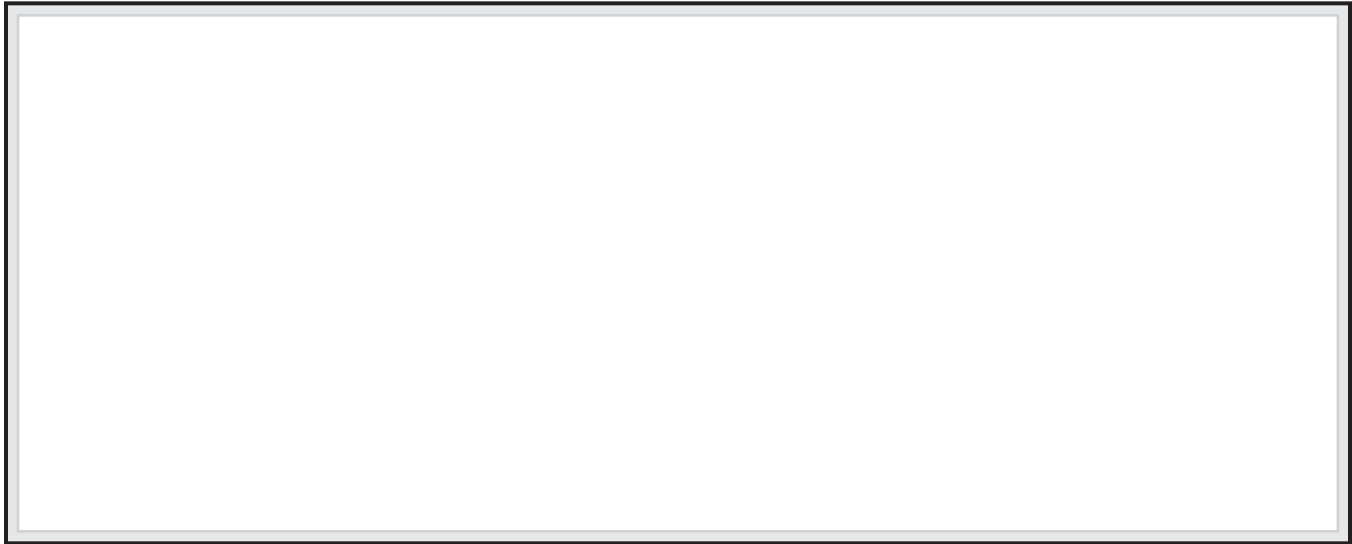
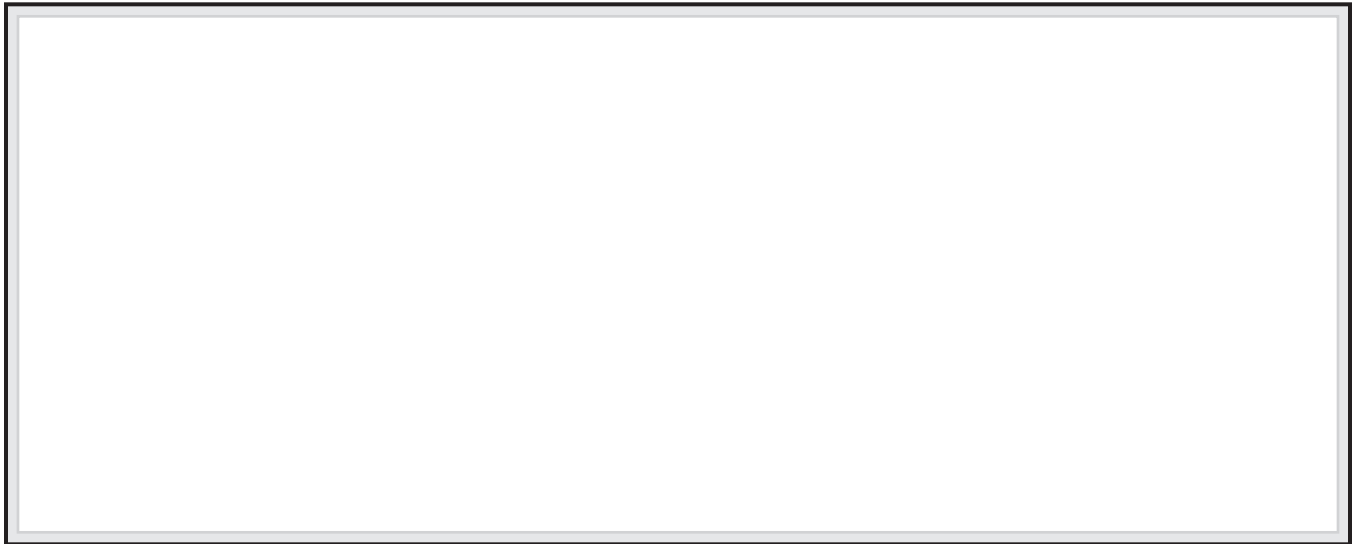
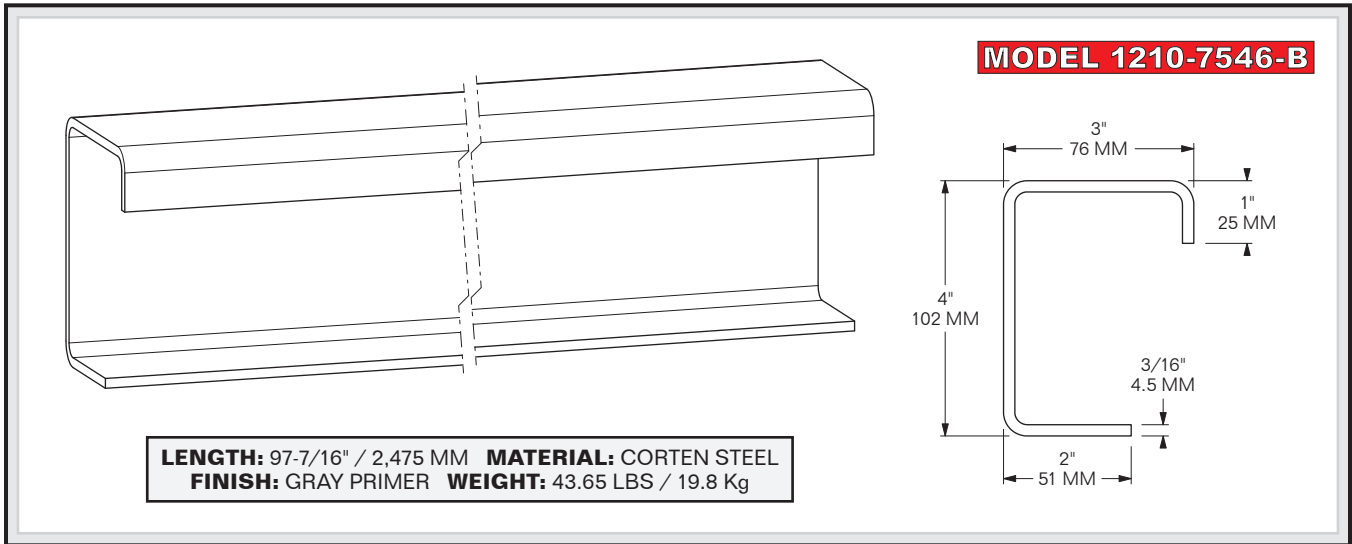
SUB FOR: REFRIGERATED CONTAINER RCC1019
LENGTH: 91-3/4" / 2,330 MM **WEIGHT:** 28.8 LBS / 13.1 Kg
MATERIAL: CORTEN STEEL **FINISH:** GRAY PRIMER

MODEL 1210-6111

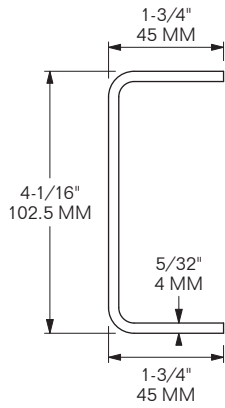
C-CHANNEL



LENGTH: 100-3/4" / 2,560 MM
MATERIAL: CORTEN STEEL
FINISH: GRAY PRIMER
WEIGHT: 24.8 LBS / 11.2 Kg



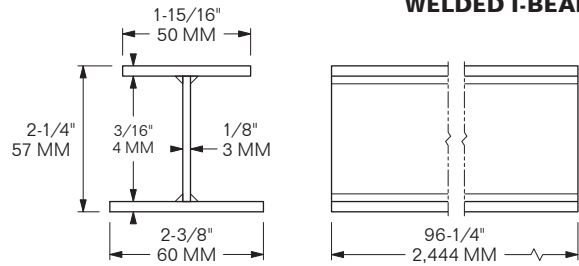
MODEL 1210-2361



SUB FOR: CIMC D07-03C,
JINDO AB0201-1136
FITS: JINDO 48', 53' x 102" WIDE
LENGTH: 95-9/16" / 2,428 MM
MATERIAL: CORTEN STEEL
FINISH: PRIMER
WEIGHT: 29.6 LBS / 13.4 Kg

MODEL 1210-6209-W

WELDED I-BEAM



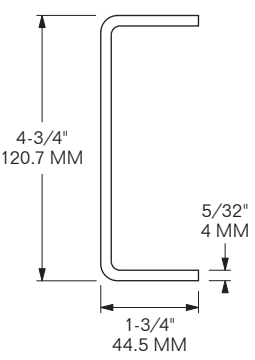
SUB FOR: JINDO AB0201-1511
FITS: JINDO 53' CONTAINER
LENGTH: 96-1/4" / 2,444 MM
MATERIAL: CORTEN STEEL **FINISH:** PRIMER
WEIGHT: 25.6 LBS / 11.6 Kg



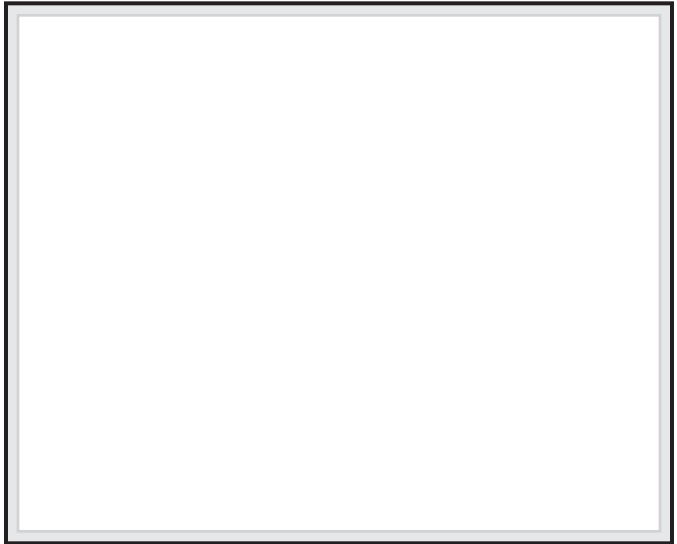
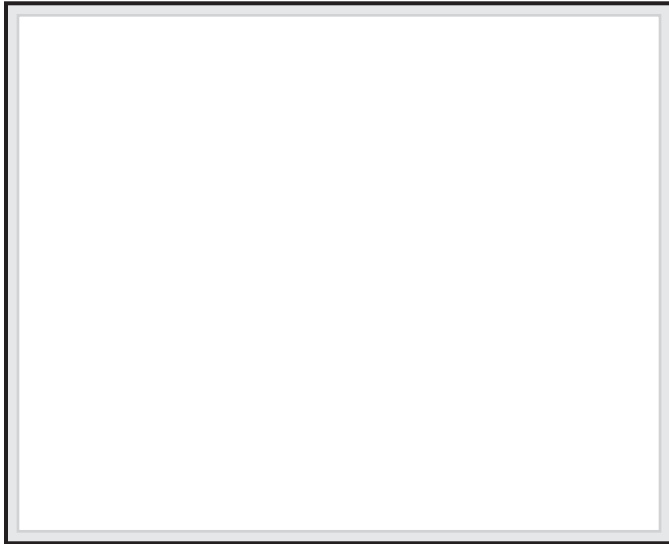
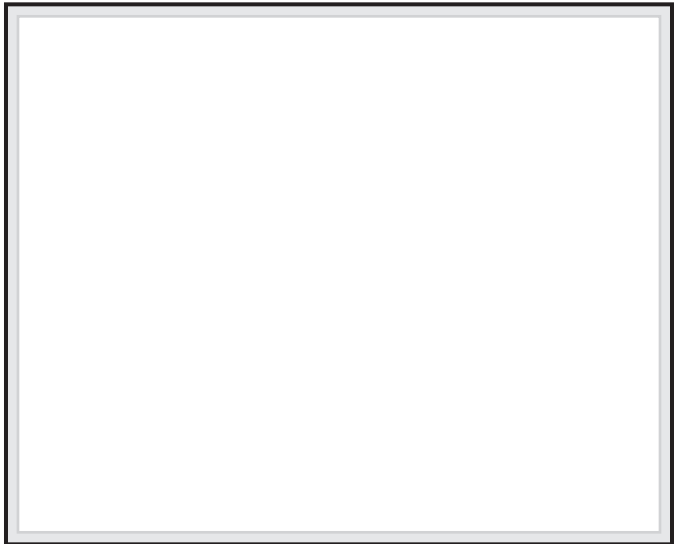
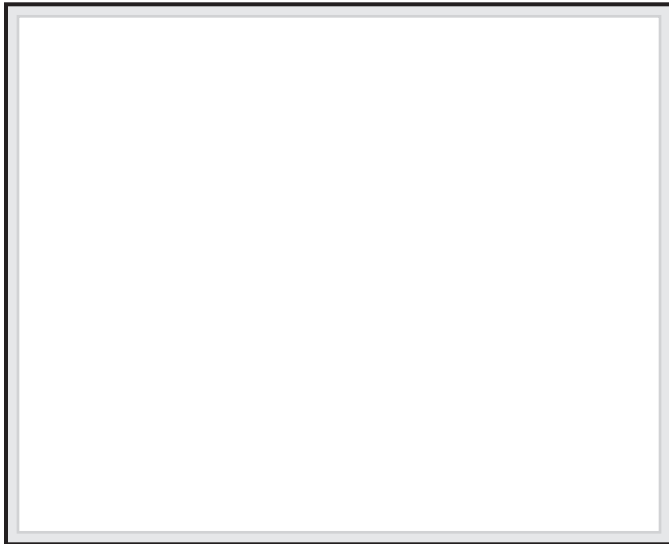
STEEL CROSSMEMBERS

ISO FLATRACKS

MODEL 1210-6110

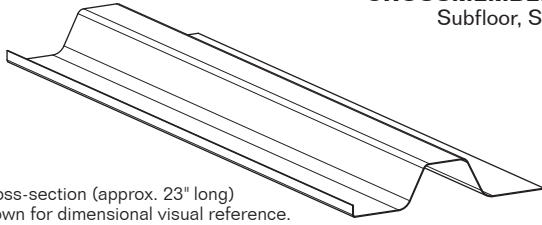


SUB FOR: REFRIGERATED CONTAINER RCC1019
LENGTH: 91-3/4" / 2,330 MM **WEIGHT:** 28.8 LBS / 13.1 Kg
MATERIAL: CORTEN STEEL **FINISH:** GRAY PRIMER

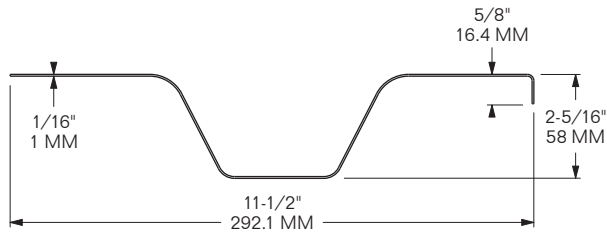


MODEL 1210-7022

CROSSMEMBER
Subfloor, SS

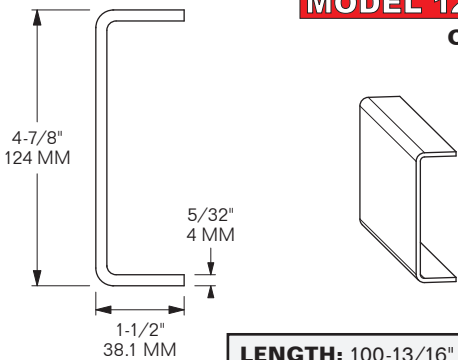


Cross-section (approx. 23" long)
shown for dimensional visual reference.

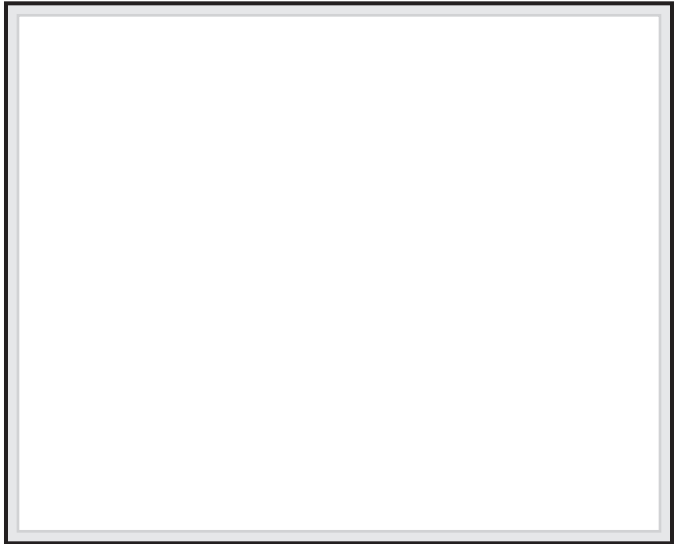
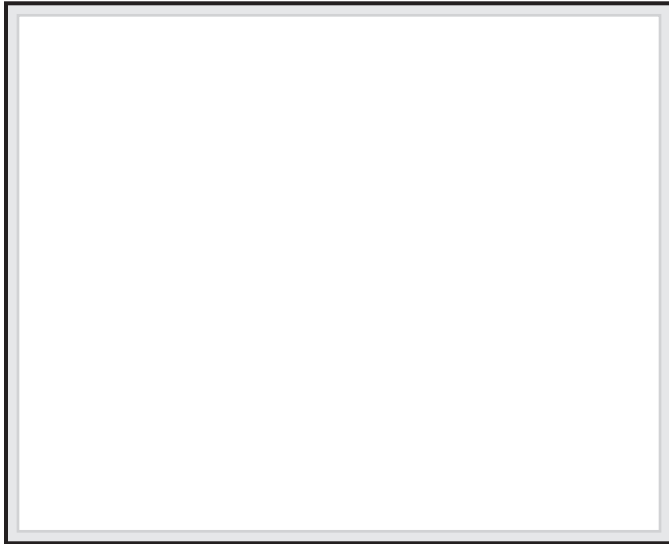
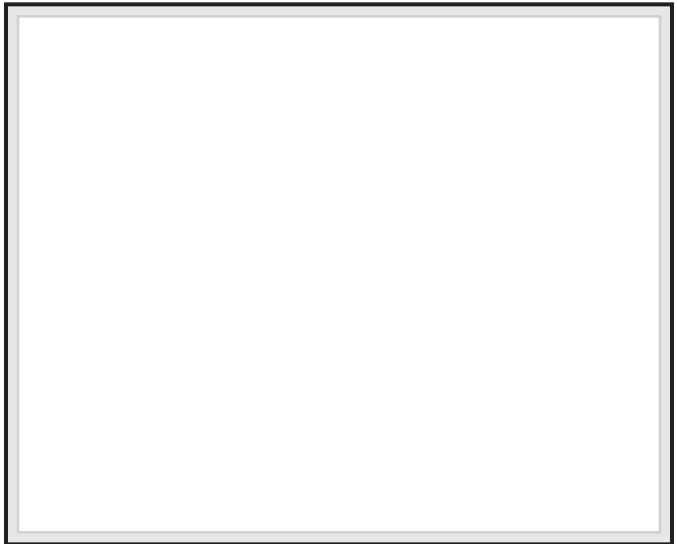
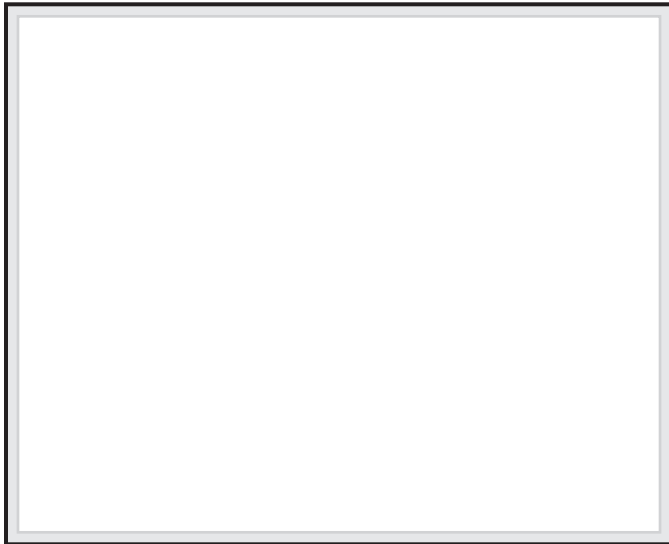
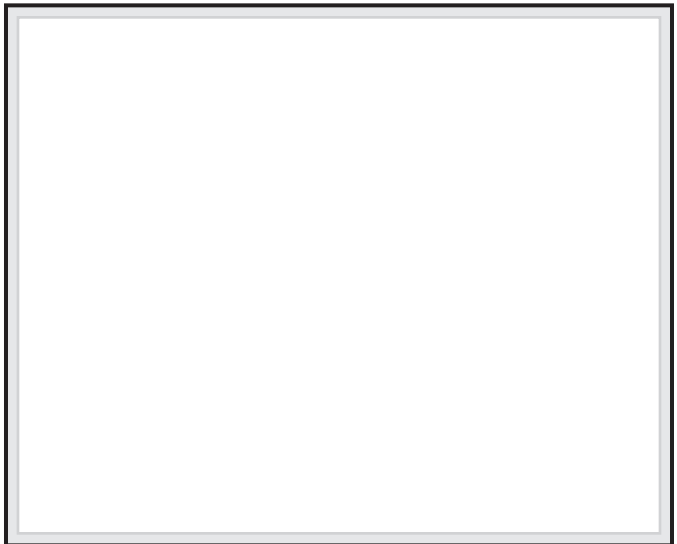


FITS: 40' x 96" REEFERS
LENGTH: 92-1/4" / 2,343.1 MM
MATERIAL: FAB. STAINLESS STEEL
FINISH: SELF-COLOR
WEIGHT: 14.85 LBS / 6.74 Kg

MODEL 1210-6111
C-CHANNEL

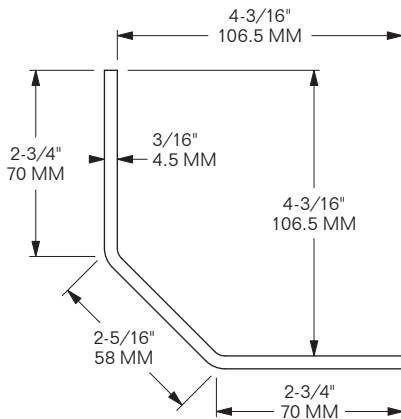


LENGTH: 100-13/16" / 2,560 MM
MATERIAL: CORTEN STEEL
FINISH: GREY PRIMER
WEIGHT: 24.76 LBS / 11.23 Kg



MODEL 1210-2750

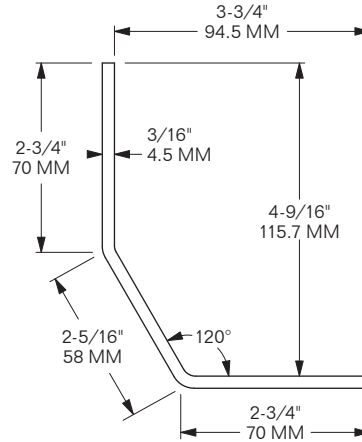
TUNNEL RAIL



SUB FOR: CIMC D33-02-26
FITS: 40' x 96" ISO **LENGTH:** 10' / 3,048 MM
MATERIAL: CORTEN STEEL **FINISH:** GRAY PRIMER
WEIGHT: 47 LBS / 21.3 Kg

MODEL 1210-7158

TUNNEL RAIL

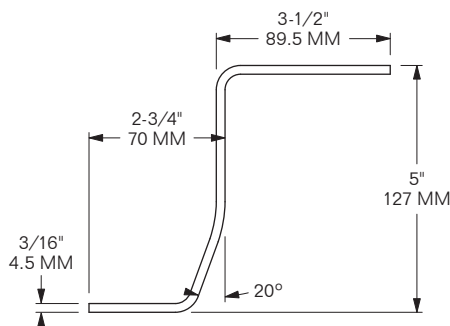


SUB FOR: CIMC D33-02-01
FITS: 40' x 96" ISO **LENGTH:** 9' 6" / 2,892 MM
MATERIAL: CORTEN STEEL **FINISH:** GRAY PRIMER
WEIGHT: 44.6 LBS / 20.2 Kg

MODEL 1210-7641-108

MODEL 1210-7641-130

GOOSENECK TUNNEL RAIL



FITS: 40' ISO & REEFER CONTAINERS
1210-7641-108 LENGTH: 108" / 2,743 MM
1210-7641-130 LENGTH: 130" / 3,302 MM
MATERIAL: CORTEN STEEL **FINISH:** GRAY PRIMER
1210-7641-108 WEIGHT: 53.24 LBS / 24.15 Kg
1210-7641-130 WEIGHT: 65 LBS / 29.48 Kg