

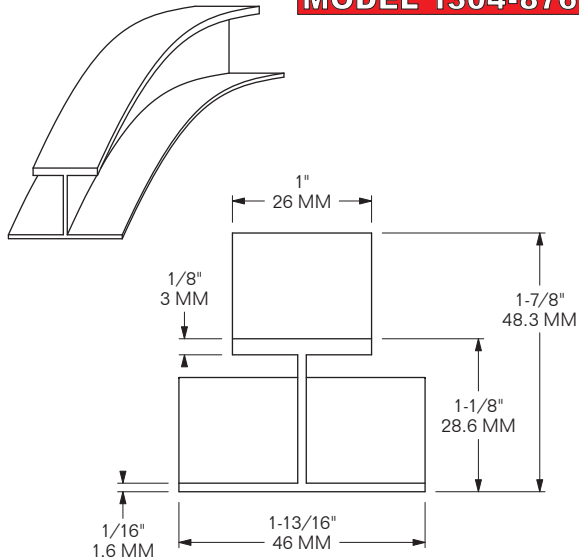


ALUMINUM ROOF BOW

DRY VAN TRAILERS

SEE ALSO 1212-5 for STEEL ROOF BOWS

MODEL 1304-8761



SUB FOR: MANAC 502407-C
LENGTH: 98-1/4" / 2,496 MM
MATERIAL: ALUMINUM **FINISH:** SELF-COLOR
WEIGHT: 2.7 LBS / 1.2 Kg

BUFFERS USA INC

"The Intermodal Hardware Specialists"

1304-1



904-696-0010

E-mail: sales@buffersusa.com

10/30/24

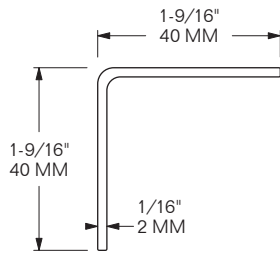


ALUMINUM COVE MOULDING & ROOF BOWS

REEFER CONTAINERS

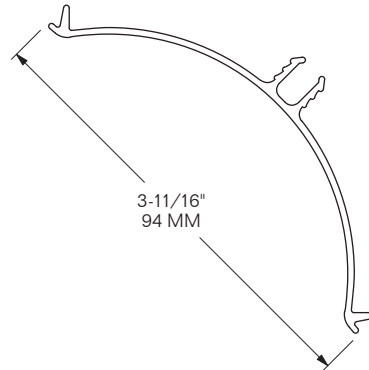
SEE ALSO 1212-4 for STEEL ROOF BOWS

MODEL 1304-2000 OUTER COVE MOULDING



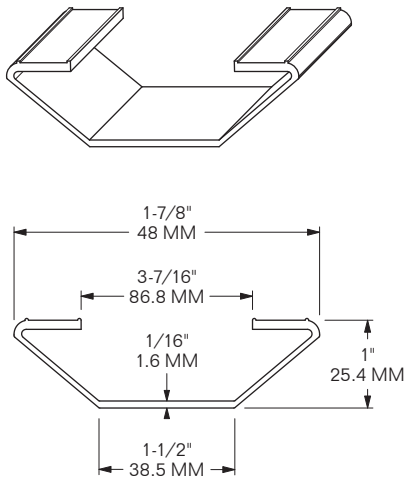
SUB FOR: CIMC-01-003-1
FITS: CIMC 40' REEFER
LENGTH: 18' 2-1/2" / 5,550 MM
MATERIAL: ALUMINUM **FINISH:** SELF-COLOR
WEIGHT: 5.21 LBS / 2.36 Kg

MODEL 1304-7583 OUTER COVE MOULDING



SUB FOR: SINGAMAS PF-005-09
FITS: CIMC 19' REEFER **LENGTH:** 19' / 5,791 MM
MATERIAL: ALUMINUM **FINISH:** SELF-COLOR
WEIGHT: 6.84 LBS / 3.1 Kg

MODEL 1304-7653 ROOF BOW, Anti-Snag



SUB FOR: CIMC 11-009 **FITS:** CIMC REEFER
LENGTH: 92-5/16" / 2,347 MM
MATERIAL: ALUMINUM **FINISH:** SELF-COLOR
WEIGHT: 4.54 LBS / 2.06 Kg

