



SWING DOOR LOCKING SYSTEMS

BLOXWICH-STYLE COMPONENTS OUTER BEARING BRACKETS (Long) DOMCON, ISO & REEFER CONTAINERS

MODEL 1401-2173

I.D. 3/8" Ø10 MM x 4 HOLES
 1/8" 3.2 MM
 1-1/16" 26.5 MM
 3-11/16" 94 MM
 2-7/8" 73 MM
 3" 76.5 MM
 4-1/2" 114.3 MM
 2-7/8" 73 MM

SUB FOR: BLOXWICH 11028 **WORKS WITH:** 1401-2174 BACK PLATE, 1401-7322 GASKET & 1401-2615-M (Outer)/2615-F (Inner) BUSHINGS or 2 PCS. 1401-2613 SPLIT BUSHING HALVES **MATERIAL:** STEEL **FINISH:** GALVANIZED **WEIGHT:** 0.93 LBS / 0.42 Kg

MODEL 1401-2308

I.D. 3/8" Ø10.5 MM x 4 HOLES
 I.D. 5/16" Ø9 MM x 2 HOLES
 1/8" 3.4 MM
 1" 26 MM
 4-1/8" 105 MM
 2-7/8" 73 MM
 2-3/16" 56 MM
 4-9/16" 115 MM
 3-1/8" 80 MM

SUB FOR: BLOXWICH 12262 **WORKS WITH:** 2 PCS. 1401-2614 SPLIT BUSHING HALVES **MATERIAL:** STEEL **FINISH:** GALVANIZED **WEIGHT:** 1.14 LBS / 0.52 Kg

MODEL 1401-2541

I.D. 3/8" Ø10.5 MM x 4 HOLES
 1/16" 3 MM
 1-1/16" 26.5 MM
 3-11/16" 94 MM
 2-7/8" 73 MM
 6-3/16" 156.5 MM
 3" 76 MM
 2-7/8" 73 MM

SUB FOR: BLOXWICH 10983-5 **WORKS WITH:** 1401-7322 GASKET, 1401-2174 BACKPLATE & 1401-2615-M (Outer)/2615-F (Inner) or 2 PCS. 1401-2613 SPLIT BUSHING HALVES **MATERIAL:** STEEL **FINISH:** GALVANIZED **WEIGHT:** 1.1 LBS / 0.5 Kg

MODEL 1401-2542

I.D. 3/8" Ø10.5 MM x 6 HOLES
 1/8" 3.5 MM
 1-1/8" 28.1 MM
 3-11/16" 94 MM
 2-7/8" 73 MM
 2-7/8" 73 MM
 9-1/16" 229.5 MM
 4" 102 MM
 2-7/8" 73 MM

SUB FOR: BLOXWICH 10983-6, HAIHANG 97HH-E/L-06, CIMC-10-005 **WORKS WITH:** 2 PCS. 1401-2838 SPLIT BUSHING HALVES **MATERIAL:** STEEL **FINISH:** GALVANIZED **WEIGHT:** 1.85 LBS / 0.84 Kg



SWING DOOR LOCKING SYSTEMS

BLOXWICH- & MINER-STYLE COMPONENTS

OUTER BEARING BRACKETS (Long)

CONTAINERS & VAN TRAILERS

MODEL 1401-2542-MOD

WORKS WITH: 1401-2838 SPLIT BUSHING HALVES
MATERIAL: STEEL **FINISH:** GALVANIZED
WEIGHT: 1.52 LBS / 0.69 Kg

MODEL 1401-2583

SUB FOR: MINER M4207
WORKS WITH: 1401-2582 BUSHING
MATERIAL: STEEL **FINISH:** GALVANIZED
WEIGHT: 1.5 LBS / 0.68 Kg

MODEL 1401-2596
Upper & Lower

SUB FOR: MINER M4003
WORKS WITH: 1401-2601 BACKPLATE & 1401-2594 SPLIT BUSHING HALVES
MATERIAL: STEEL **FINISH:** GALVANIZED
WEIGHT: 1.44 LBS / 0.65 Kg

MODEL 1401-2597
Weld-on

SUB FOR: MINER M4105
WORKS WITH: 1401-2602 BACKPLATE & 1401-2594 BUSHING
MATERIAL: STEEL **FINISH:** GALVANIZED
WEIGHT: 1.1 LBS / 0.5 Kg



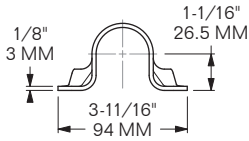
SWING DOOR LOCKING SYSTEMS

BLOXWICH- & CIMC-STYLE COMPONENTS

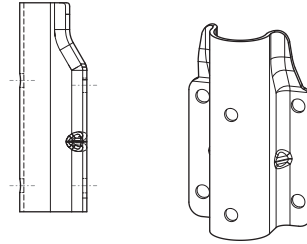
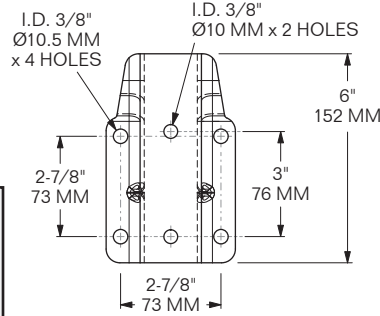
OUTER BEARING BRACKETS (Long)

DOMCON, ISO & REEFER CONTAINERS

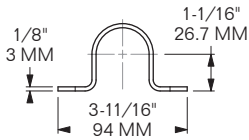
MODEL 1401-6142



SUB FOR: BLOXWICH 10158-1
WORKS WITH: 1401-7322 GASKET & 1401-2613 BUSHING
MATERIAL: STEEL **FINISH:** GALVANIZED
WEIGHT: 1.1 LBS / 0.5 Kg



MODEL 1401-7030



SUB FOR: CIMC 10005-1, SAEJIN 87105-5
WORKS WITH: 1401-2838 BUSHING
MATERIAL: STEEL **FINISH:** GALVANIZED
WEIGHT: 1.48 LBS / 0.67 Kg

