



SWING DOOR LOCKING SYSTEMS

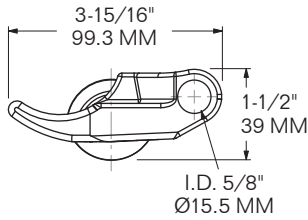
BLOXWICH-STYLE COMPONENTS

TOP & BOTTOM CAMS

DOMCON, ISO & REEFER CONTAINERS

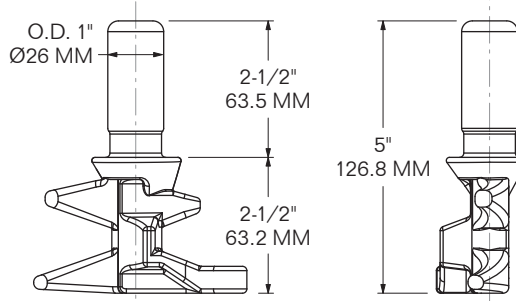
MODEL 1401-1992-L/R

BOTTOM CAMS
w/ Security Hole

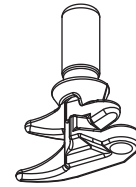


Model 1401-1992-R shown dimensioned.

Model 1401-1992-L is a mirror image.



MODEL 1401-1992-L
Bottom Left

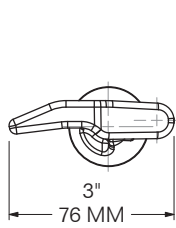


MODEL 1401-1992-R
Bottom Right

SUB FOR: BLOXWICH 13506/D-L, 13506/D-R, CIMC D23-01C, SAEJIN 87024-L & 87022-R
WORKS WITH: 1401-1993-L/R KEEPERS **MATERIAL:** FORGED STEEL
FINISH: HOT-DIP GALVANIZED **WEIGHT:** 1.55 LBS / 0.7 Kg

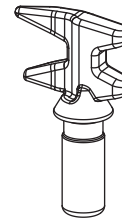
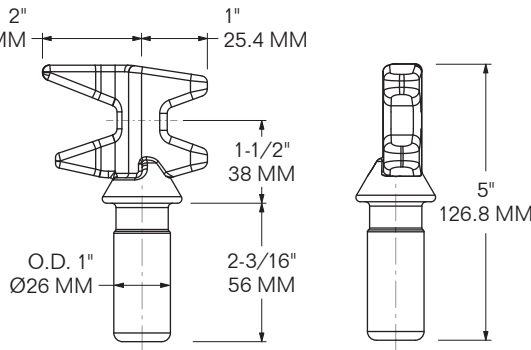
MODEL 1401-2194-L/R

TOP & BOTTOM CAMS

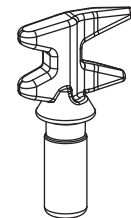


Model 1401-2194-L shown dimensioned.

Model 1401-2194-R is a mirror image.



MODEL 1401-2194-L
Top Right or Bottom Left

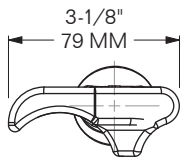


MODEL 1401-2194-R
Top Left or Bottom Right

SUB FOR: BLOXWICH 10081 (L) & 10080 (R), CIMC D23-01A (L) & D23-01B (R), SAEJIN 87004 (L) & 87003 (R)
WORKS WITH: 1401-2189-L/R & 1401-2190-L/R KEEPERS **MATERIAL:** CAST STEEL
FINISH: HOT-DIP GALVANIZED **WEIGHT:** 1.3 LBS / 0.59 Kg

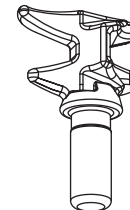
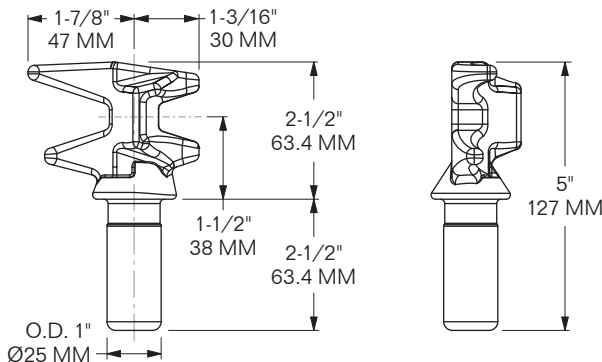
MODEL 1401-6968-L/R

TOP & BOTTOM CAMS
w/ Kick-out Ridge

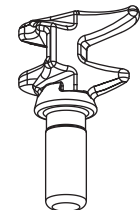


Model 1401-6968-L shown dimensioned.

Model 1401-6968-R is a mirror image.



MODEL 1401-6968-L
Top Right or Bottom Left



MODEL 1401-6968-R
Top Left or Bottom Right

SUB FOR: BLOXWICH 10083 (L) & 10082 (R), SAEJIN 87004/2L (L) & 87003/2R (R)
WORKS WITH: 1401-2189-L/R & 1401-2190-L/R KEEPERS **MATERIAL:** FORGED STEEL
FINISH: HOT-DIP GALVANIZED (Slung) **WEIGHT:** 1.45 LBS / 0.66 Kg

BUFFERS USA INC

"The Intermodal Hardware Specialists"

1401-10



904-696-0010

E-mail: sales@buffersusa.com

10/17/23



SWING DOOR LOCKING SYSTEMS

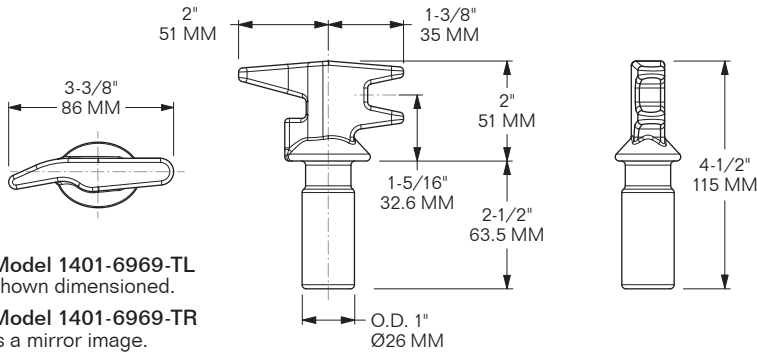
BLOXWICH-STYLE COMPONENTS

TOP CAMS

DOMCON, ISO & REEFER CONTAINERS

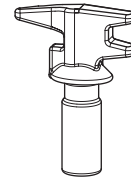
MODEL 1401-6969-TL/TR

TOP CAMS
for Narrow Header

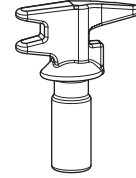


Model 1401-6969-TL shown dimensioned.

Model 1401-6969-TR is a mirror image.



MODEL 1401-6969-TL
Top Left



MODEL 1401-6969-TR
Top Right

SUB FOR: BLOXWICH 10085 (TL) & 10084 (TR), SAEJIN 87004/6L, H-01/3L (TL) & 87003/6R, H-02/3R (TR)
FITS: 48' & 53' CONTAINERS **WORKS WITH:** BUFFERS 1401-2189-L/R, 1401-2190-L/R, 1401-6965-TL/TR KEEPERS
MATERIAL: FORGED STEEL **FINISH:** HOT-DIP GALVANIZED (HDG) **WEIGHT:** 1.04 LBS / 0.47 Kg

BUFFERS USA INC

"The Intermodal Hardware Specialists"

1401-11



904-696-0010

E-mail: sales@buffersusa.com



SWING DOOR LOCKING SYSTEMS

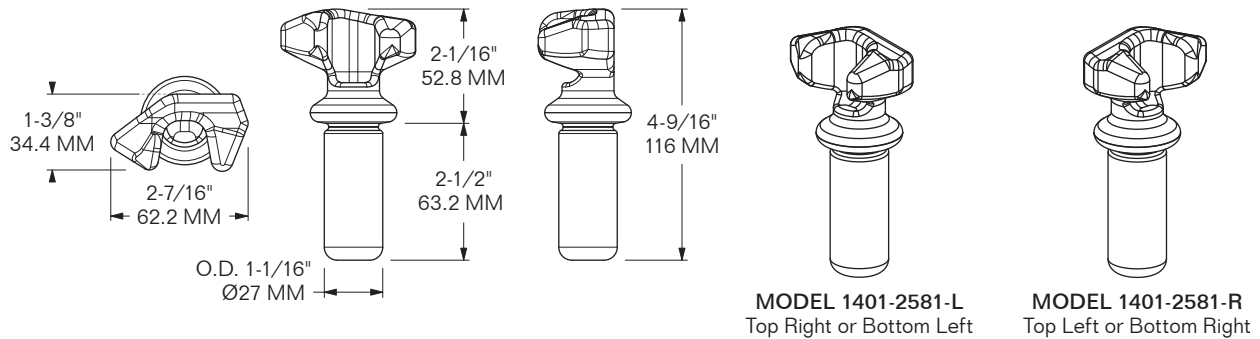
MINER-STYLE COMPONENTS

TOP & BOTTOM CAMS

DRY VAN TRAILERS

MODEL 1401-2581-L/R

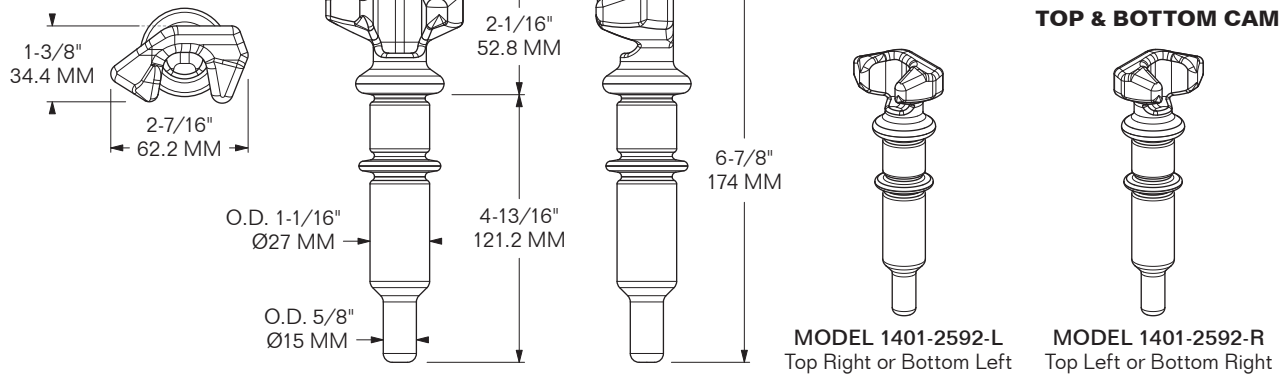
TOP & BOTTOM CAM



SUB FOR: MINER 4044 (L) & 4043 (R) **TYPE:** DL **WORKS WITH:** 1401-2580 & 1401-2593 KEEPERS
MATERIAL: FORGED STEEL **FINISH:** GALVANIZED **WEIGHT:** 1.35 LBS / 0.64 Kg

MODEL 1401-2592-L/R

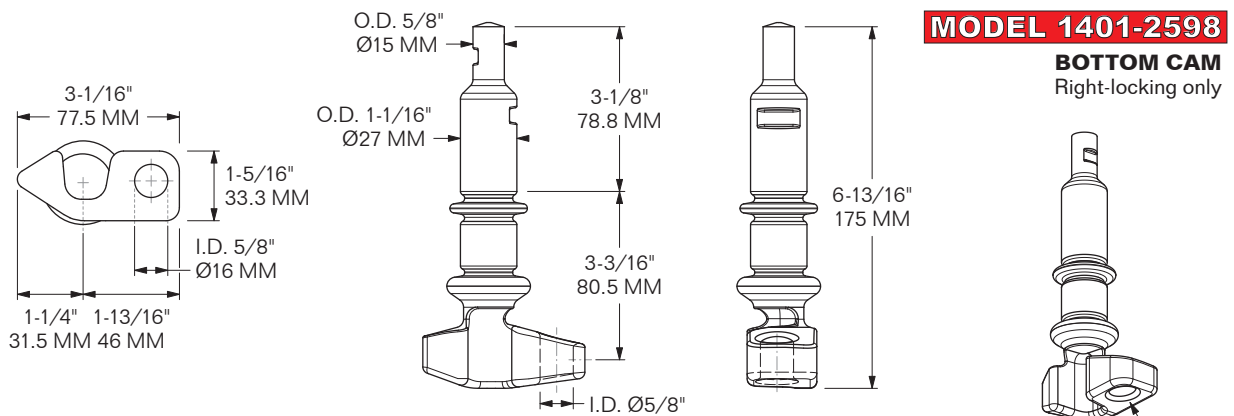
TOP & BOTTOM CAM



SUB FOR: MINER 2092 (L) & 2091 (R) **TYPE:** CT **WORKS WITH:** 1401-2580 & 1401-2593 KEEPERS
MATERIAL: FORGED STEEL **FINISH:** GALVANIZED **WEIGHT:** 1.8 LBS / 0.82 Kg

MODEL 1401-2598

BOTTOM CAM
Right-locking only



SUB FOR: MINER 4144 **TYPE:** SC **WORKS WITH:** 1401-2600 KEEPER
MATERIAL: FORGED STEEL **FINISH:** GALVANIZED **WEIGHT:** 1.81 LBS / 0.82 Kg

Hole for Security Seal

BUFFERS USA INC

"The Intermodal Hardware Specialists"

1401-12



904-696-0010

E-mail: sales@buffersusa.com



SWING DOOR LOCKING SYSTEMS

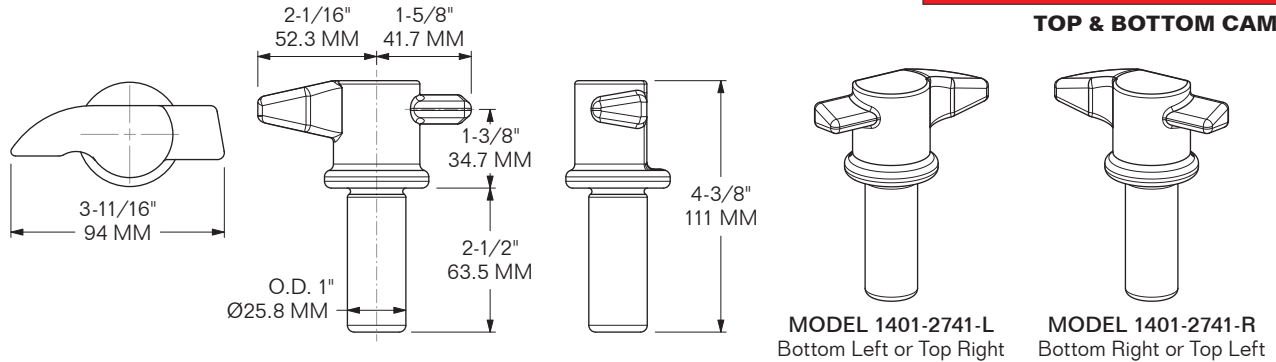
EBERHARD- & MINER-STYLE COMPONENTS

TOP & BOTTOM CAMS

DRY VAN TRAILERS

MODEL 1401-2741-L/R

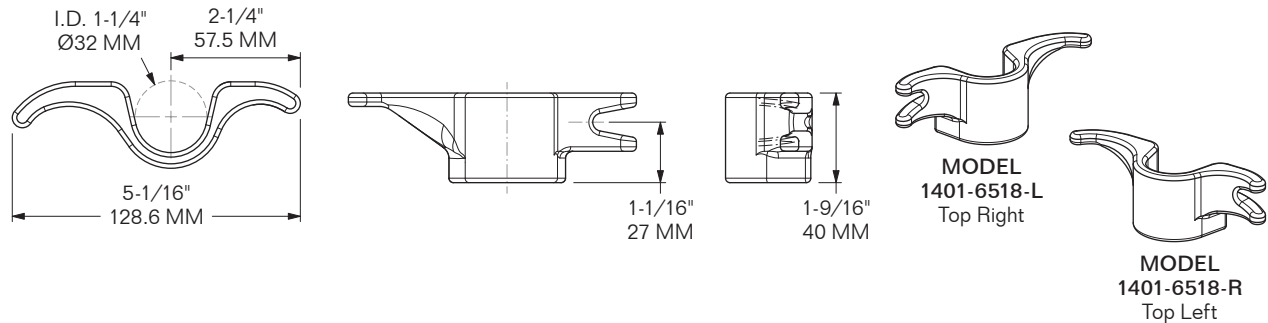
TOP & BOTTOM CAM



SUB FOR: MINER 4226 (L) & 4225 (R) **TYPE:** NS **WORKS WITH:** BUFFERS 1401-2599 KEEPER
MATERIAL: FORGED STEEL **FINISH:** GALVANIZED **WEIGHT:** 1.55 LBS / 0.7 Kg

MODEL 1401-6518-L/R

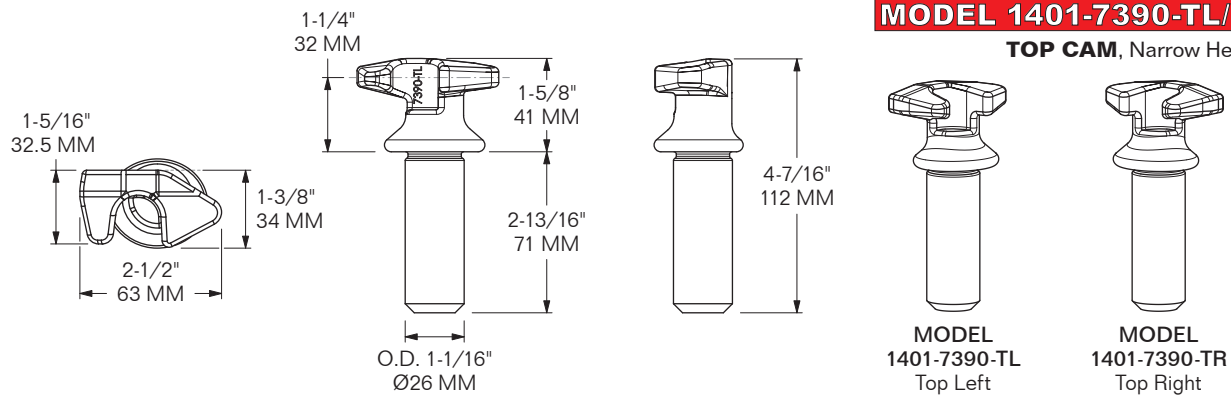
TOP CAM, Narrow Header



SUB FOR: EBERHARD 16437-L/R, GREAT DANE 42500103 (L) & 42500104 (R) **FITS:** EBERHARD 1969-64-13 LOCK ROD
WORKS WITH: BUFFERS 1401-6517 KEEPER **MATERIAL:** FORGED STEEL **FINISH:** GALVANIZED **WEIGHT:** 0.65 LB / 0.29 Kg

MODEL 1401-7390-TL/TR

TOP CAM, Narrow Header



SUB FOR: MINER 4141 (TL) & 4142 (TR) **TYPE:** NH **WORKS WITH:** BUFFERS 1401-7395 KEEPER
MATERIAL: FORGED STEEL **FINISH:** GALVANIZED **WEIGHT:** 1.21 LBS / 0.55 Kg

BUFFERS USA INC

"The Intermodal Hardware Specialists"

1401-13



904-696-0010

E-mail: sales@buffersusa.com



SWING DOOR LOCKING SYSTEMS

MINER-STYLE COMPONENTS

TOP & BOTTOM CAMS

DRY VAN TRAILERS

MODEL 1401-7132-BL/BR
BOTTOM CAM

MODEL 1401-7132-BL **MODEL 1401-7132-BR**
 Bottom Left Bottom Right

SUB FOR: MINER 2497 (BL) & 2498 (BR) **TYPE:** HV **WORKS WITH:** BUFFERS 1401-2719 KEEPER & 1401-7133-TL/TR
TOP CAMS (w/ 1401-7134-TR/TL KEEPERS) MATERIAL: CAST STEEL **FINISH:** GALVANIZED **WEIGHT:** 2.25 LBS / 1.02 Kg

MODEL 1401-7133-TL/TR
TOP CAM, Narrow Header

MODEL 1401-7133-TL **MODEL 1401-7133-TR**
 Top Left Top Right

SUB FOR: MINER 4153 (TL) & 4154 (TR) **TYPE:** SH **WORKS WITH:** BUFFERS 1401-7134-TL/TR KEEPERS & 1401-7132-BL/BR
BOTTOM CAMS (w/ 1401-2719 KEEPER) MATERIAL: CAST STEEL **FINISH:** GALVANIZED **WEIGHT:** 1.31 LBS / 0.59 Kg

