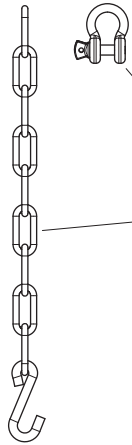


MODEL 5102-2059
13 MM CHAIN LOAD BINDER, Lever type
MBS: 20 M. TON
MATERIAL: FORGED STEEL
FINISH: PAINTED ORANGE
WEIGHT: 5.38 Kg / 11.85 LBS

MODEL 5102-2153
11 MM CHAIN LOAD BINDER, Lever type
MBS: 15 M. TON
MATERIAL: FORGED STEEL
FINISH: PAINTED DARK BLUE
WEIGHT: 4.44 Kg / 9.8 LBS

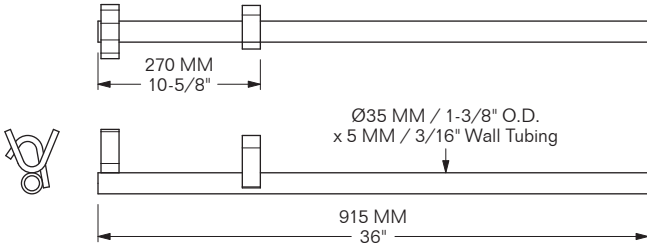


MODEL 5102-1475-KIT
BINDER HOLD CHAIN
w/ Hook & Shackle

Supplied w/ 5101-ASP-5/16-0.75MT
5/16" Screw Pin Anchor Shackle, HDG

5102-1475 20" Hold Chain Assembly
w/ S-Hook for 11 & 13mm Binder;
24" w/ Hook

WEIGHT: 1.27 Kg / 2.8 LBS



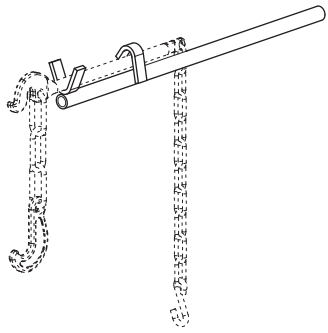
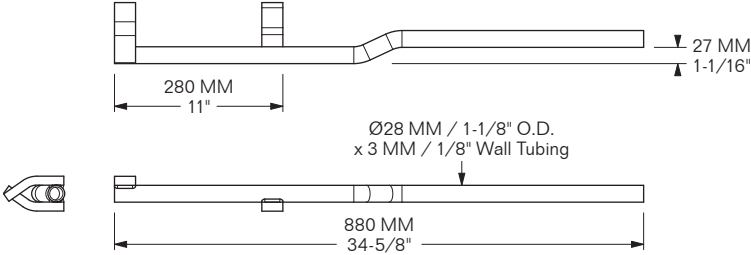
MODEL 5102-2348
CHEATER/EXTENDER BAR
for L-13 Load Binder
Heavy Duty

270 MM
10-5/8"

Ø35 MM / 1-3/8" O.D.
x 5 MM / 3/16" Wall Tubing

915 MM
36"

MATERIAL: HOT-DIP GALVANIZED (HDG)
WEIGHT: 4.21 Kg / 9.28 LBS

MODEL 5102-2380
LOAD BINDER CHEATER BAR /
Extension Handle for Tension Lever
Standard Duty

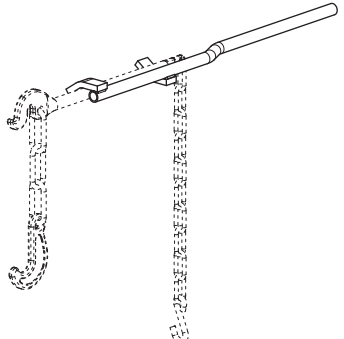
280 MM
11"

Ø28 MM / 1-1/8" O.D.
x 3 MM / 1/8" Wall Tubing

880 MM
34-5/8"

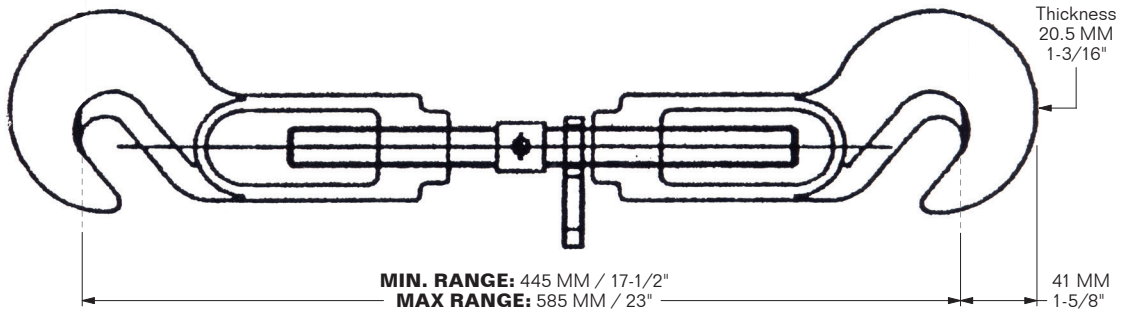
27 MM
1-1/16"

MATERIAL: HOT-DIP GALVANIZED (HDG)
WEIGHT: 2.65 Kg / 5.85 LBS



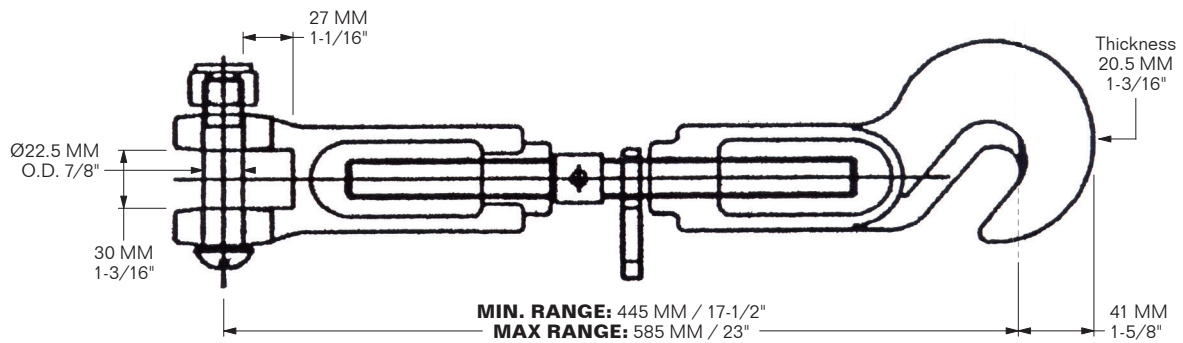
MODEL 5102-L13-TB-H/H-1022

HOOK-HOOK TURNBUCKLE
for 13mm Chain



MODEL 5102-L13-TB-H/J-1021

HOOK-JAW TURNBUCKLE
for 13mm Chain



MBS: 20 M. TON

MATERIAL: FORGED STEEL FINISH: HOT-DIP GALVANIZED (HDG)
WEIGHT: 5.04 Kg / 11.1 LBS (ea. model)

OPERATING TOOL: ROUND ROD 1/2" x 12" w/ 1" HEAD (MODEL 5101-6371)

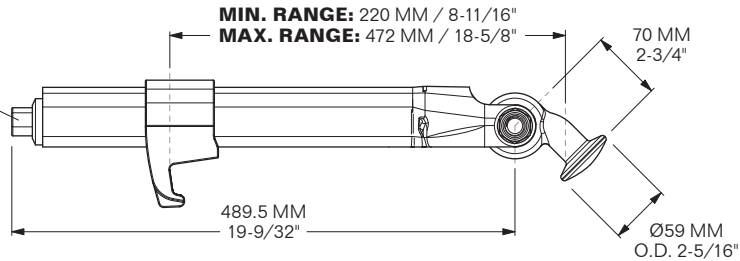
SPEED LASH CHAIN TENSIONERS

for 11 mm – 13 mm LONG LINK CHAIN

MODEL 5102-2909

**SPEED LASH w/
ELEPHANT FOOT**
10" Take-Up

OPERATED w/
SOCKET OR WRENCH
ON THIS HEX HEAD



MBS: 20 M. TON

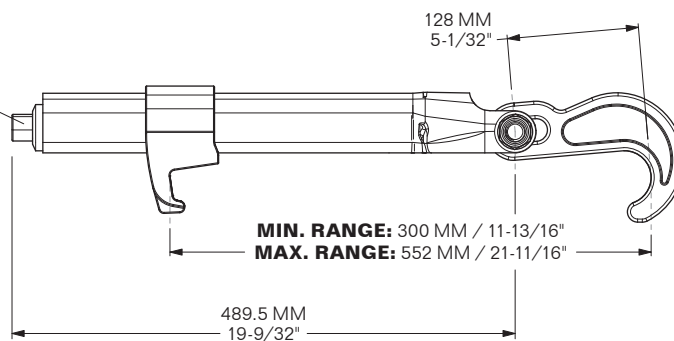
MATERIAL: STEEL
FINISH: HOT-DIP GALVANIZED (HDG) / PAINTED
WEIGHT: 7.26 Kg / 16 LBS

- Suitable for 11mm – 13mm Chain
- Designed to meet requirements in the CSS Code
- Can be retightened as required

MODEL 5102-2910

SPEED LASH w/ HOOK
10" Take-Up

OPERATED w/
SOCKET OR WRENCH
ON THIS HEX HEAD



MBS: 20 M. TON

MATERIAL: STEEL
FINISH: HOT-DIP GALVANIZED (HDG) / PAINTED
WEIGHT: 7.71 Kg / 17 LBS

- Suitable for 11mm – 13mm Chain
- Designed to meet requirements in the CSS Code
- Can be retightened as required