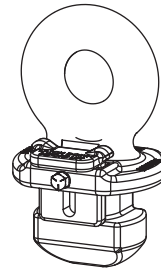
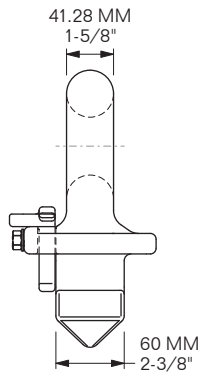
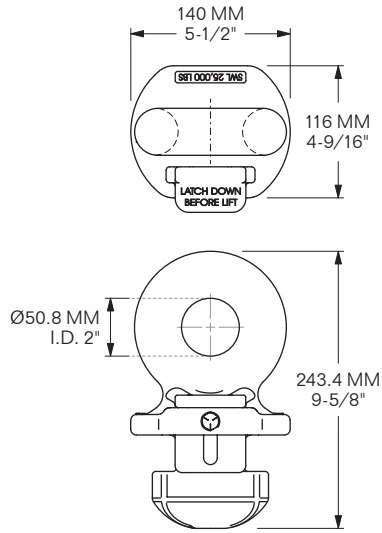


MODEL 6101-1864-KIT

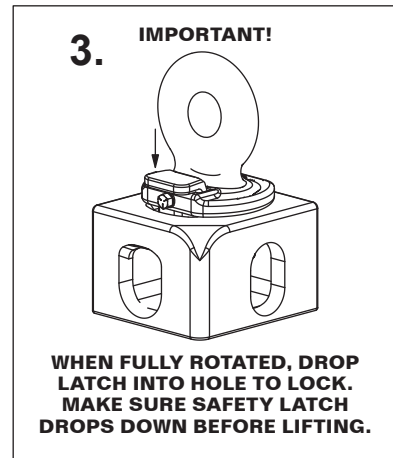
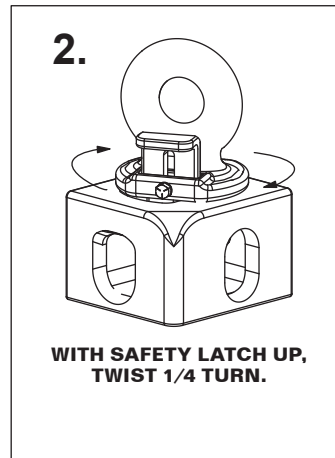
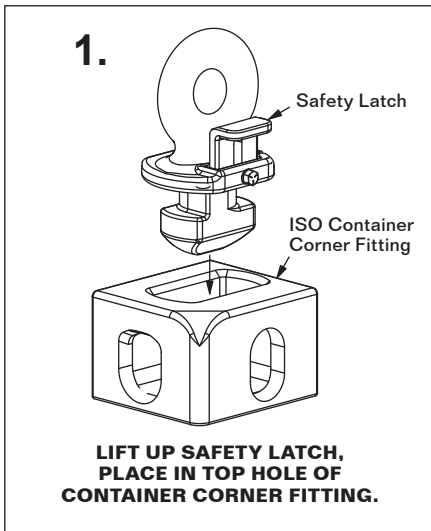
CONTAINER TOP LIFT LUG
Kit includes Test Tag on Lanyard

PLEASE NOTE: 4 ea. 1864-KIT are needed to lift a Container.



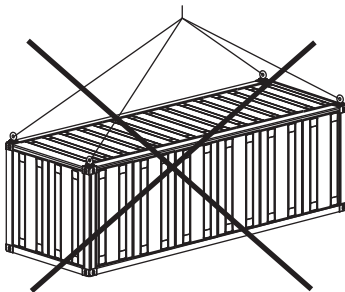
SWL: 25,000 LBS
MATERIAL: HIGH-STRENGTH ALLOY STEEL
FINISH: EPOXY PAINT, YELLOW
WEIGHT: 8.39 Kg / 18.5 LBS

INDIVIDUALLY PROOF-LOADED TO 60,000 LBS

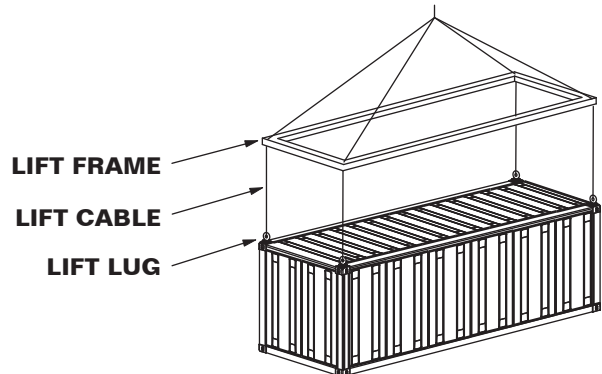


WARNING:
DESIGNED FOR STRAIGHT LIFT ONLY

MUST USE LIFT FRAME FOR STRAIGHT LIFT.

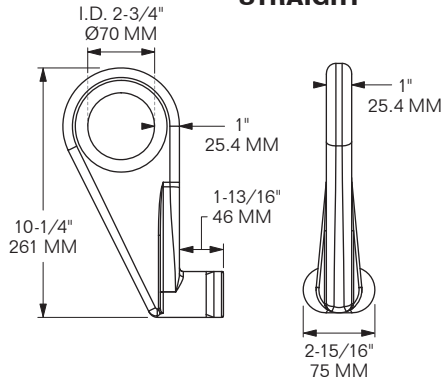


WARNING
THIS TYPE OF LIFT NOT ALLOWED!
MUST USE LIFT FRAME FOR STRAIGHT LIFT.



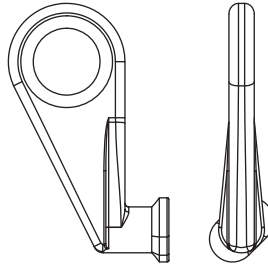
MODEL 6101-1801

STRAIGHT



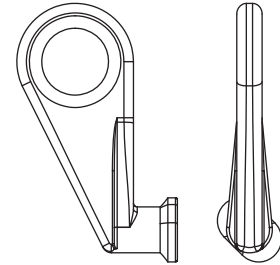
MODEL 6101-1800-L

LEFT, 45°



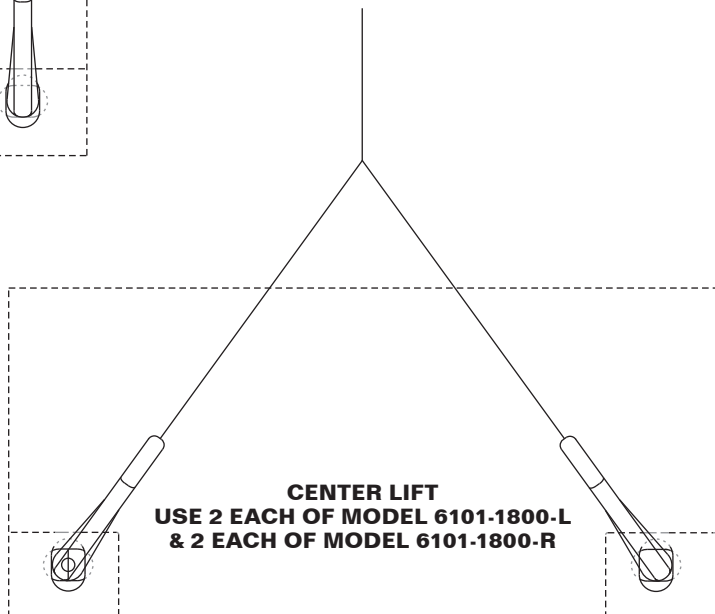
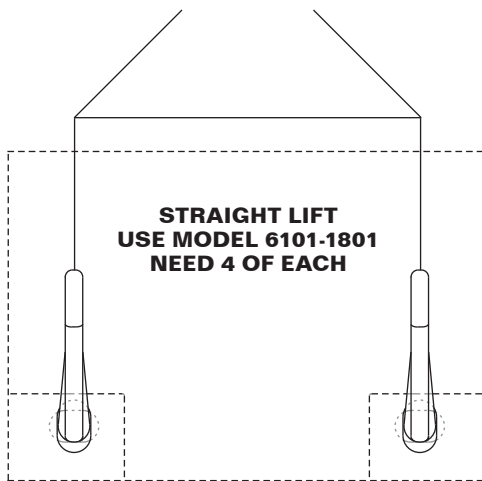
MODEL 6101-1800-R

RIGHT, 45°

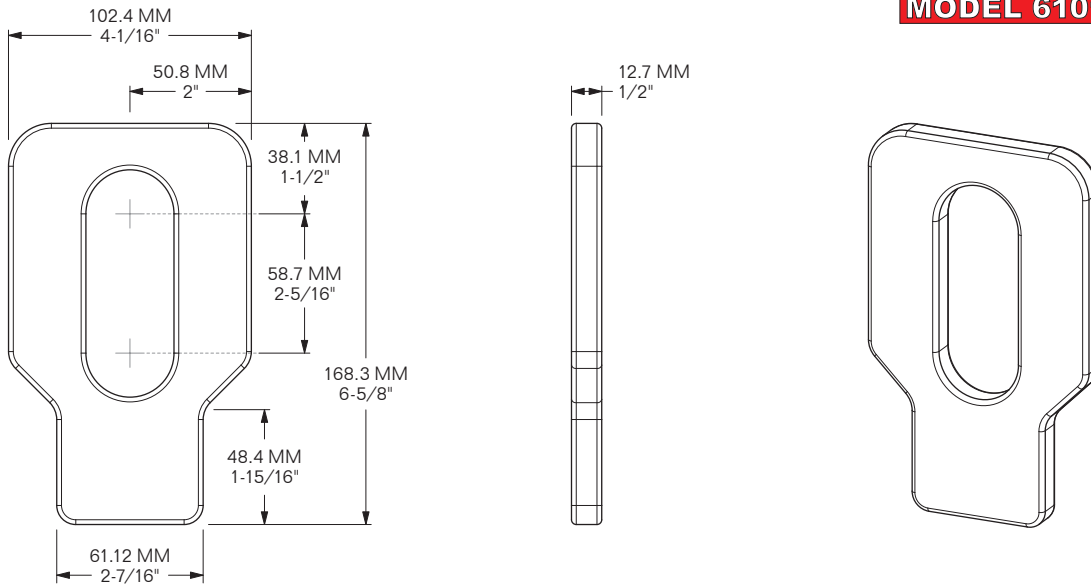


WLL: 27,500 LBS / 12.5 M. Ton
COLOR: YELLOW, PAINTED
WEIGHT: 8.4 LBS / 3.81 Kg

NOTE: MBS = 4 x WLL



MODEL 6101-2010



FITS: TANDEMLOC 72009-3-P **FITS:** TANDEMLOC LIFT LUG MODEL 72009
MATERIAL: STEEL **FINISH:** HOT-DIP GALVANIZED (HDG)
WEIGHT: 1.3 Kg / 2.8 LBS